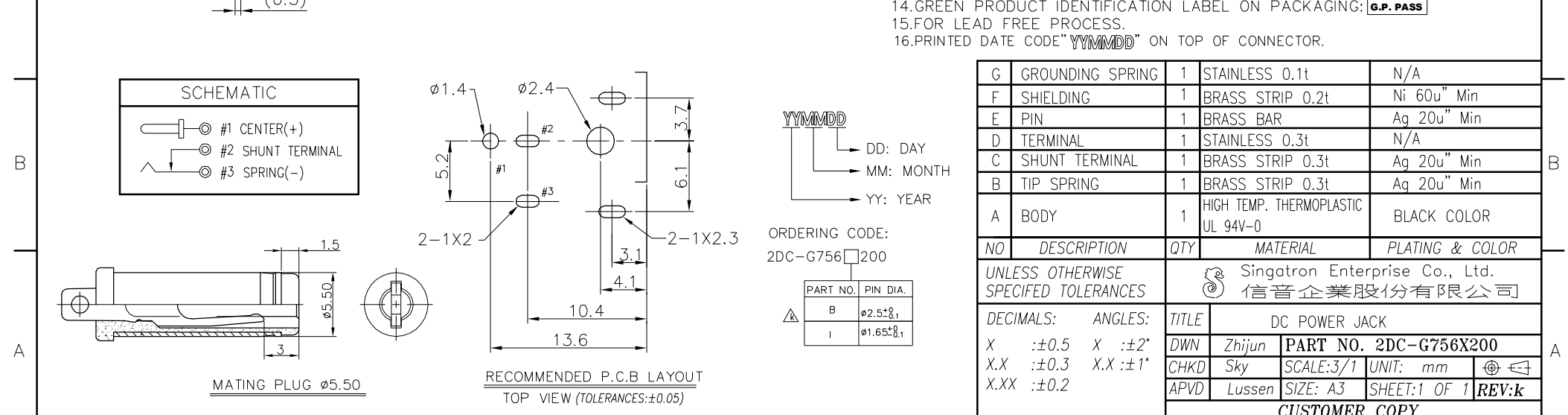
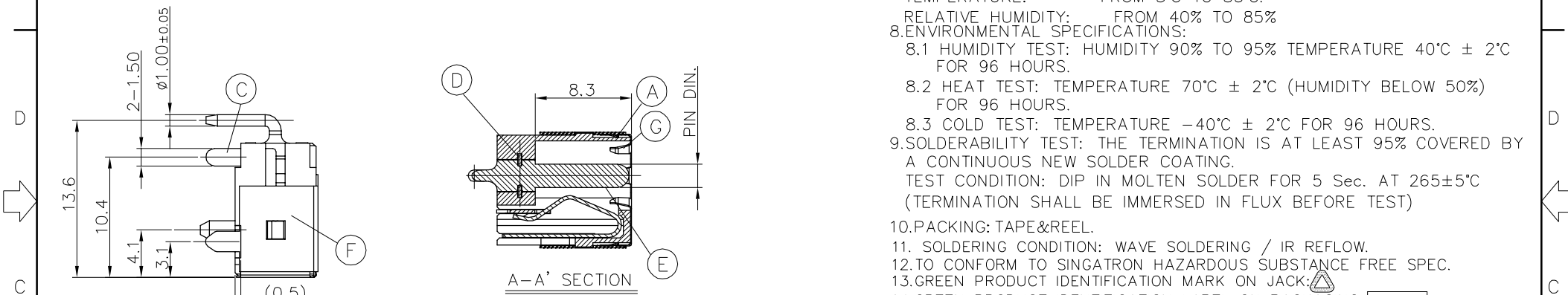
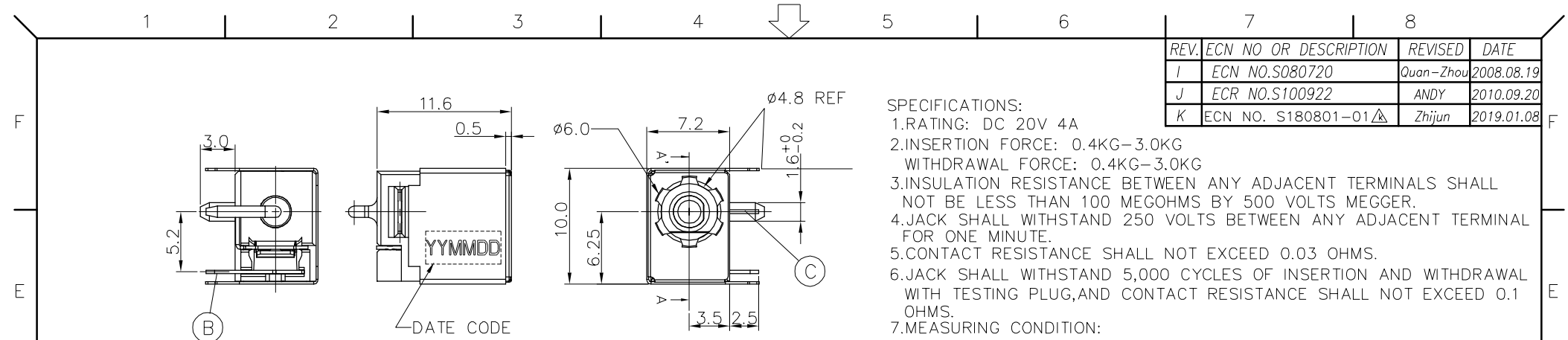


REV.	ECN NO OR DESCRIPTION	REVISED	DATE
I	ECN NO.S080720	Quan-Zhou	2008.08.19
J	ECR NO.S100922	ANDY	2010.09.20
K	ECN NO. S180801-01	Zhijun	2019.01.08



SPECIFICATIONS:

- RATING: DC 20V 4A
- INSERTION FORCE: 0.4KG-3.0KG
WITHDRAWAL FORCE: 0.4KG-3.0KG
- INSULATION RESISTANCE BETWEEN ANY ADJACENT TERMINALS SHALL NOT BE LESS THAN 100 MEGOHMS BY 500 VOLTS MEGGER.
- JACK SHALL WITHSTAND 250 VOLTS BETWEEN ANY ADJACENT TERMINAL FOR ONE MINUTE.
- CONTACT RESISTANCE SHALL NOT EXCEED 0.03 OHMS.
- JACK SHALL WITHSTAND 5,000 CYCLES OF INSERTION AND WITHDRAWAL WITH TESTING PLUG,AND CONTACT RESISTANCE SHALL NOT EXCEED 0.1 OHMS.
- MEASURING CONDITION:
TEMPERATURE: FROM 5°C TO 35°C.
RELATIVE HUMIDITY: FROM 40% TO 85%
- ENVIRONMENTAL SPECIFICATIONS:
 - HUMIDITY TEST: HUMIDITY 90% TO 95% TEMPERATURE 40°C ± 2°C FOR 96 HOURS.
 - HEAT TEST: TEMPERATURE 70°C ± 2°C (HUMIDITY BELOW 50%) FOR 96 HOURS.
 - COLD TEST: TEMPERATURE -40°C ± 2°C FOR 96 HOURS.
- SOLDERABILITY TEST: THE TERMINATION IS AT LEAST 95% COVERED BY A CONTINUOUS NEW SOLDER COATING.
TEST CONDITION: DIP IN MOLTEN SOLDER FOR 5 Sec. AT 265±5°C (TERMINATION SHALL BE IMMERSED IN FLUX BEFORE TEST)
- PACKING: TAPE&REEL.
- SOLDERING CONDITION: WAVE SOLDERING / IR REFLOW.
- TO CONFORM TO SINGATRON HAZARDOUS SUBSTANCE FREE SPEC.
- GREEN PRODUCT IDENTIFICATION MARK ON JACK:
- GREEN PRODUCT IDENTIFICATION LABEL ON PACKAGING: **G.P. PASS**
- FOR LEAD FREE PROCESS.
- PRINTED DATE CODE"YYMMDD" ON TOP OF CONNECTOR.

G	GROUNDING SPRING	1	STAINLESS 0.1t	N/A
F	SHIELDING	1	BRASS STRIP 0.2t	Ni 60u" Min
E	PIN	1	BRASS BAR	Ag 20u" Min
D	TERMINAL	1	STAINLESS 0.3t	N/A
C	SHUNT TERMINAL	1	BRASS STRIP 0.3t	Ag 20u" Min
B	TIP SPRING	1	BRASS STRIP 0.3t	Ag 20u" Min
A	BODY	1	HIGH TEMP. THERMOPLASTIC UL 94V-0	BLACK COLOR

NO	DESCRIPTION	QTY	MATERIAL	PLATING & COLOR

UNLESS OTHERWISE SPECIFIED TOLERANCES		Singatron Enterprise Co., Ltd. 信音企業股份有限公司	
DECIMALS:	ANGLES:	TITLE	DC POWER JACK
X :±0.5	X :±2°	DWN	Zhijun
X.X :±0.3	X.X :±1°	CHKD	Sky
X.XX :±0.2		APVD	Lussen
		PART NO. 2DC-G756X200	
		SCALE:3/1	UNIT: mm
		SIZE: A3	SHEET:1 OF 1
		REV:k	
CUSTOMER COPY			