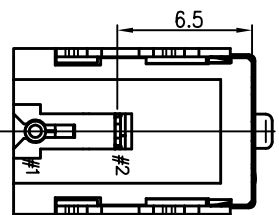
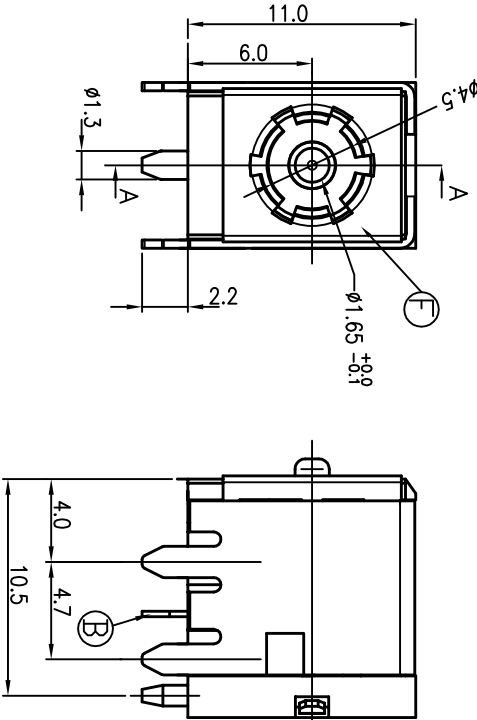
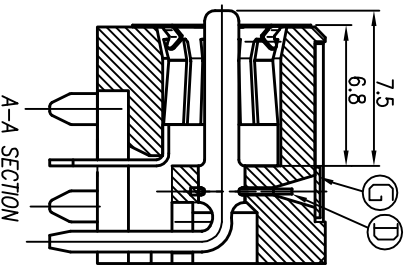
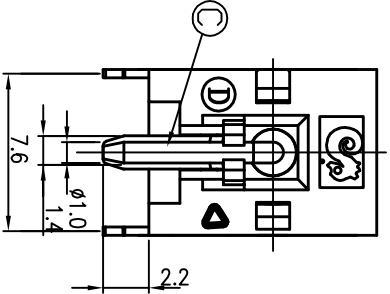


RECOMMENDED P.C.B LAYOUT($t=1.6mm$)
TOP VIEW(TOLERANCE: ± 0.05)

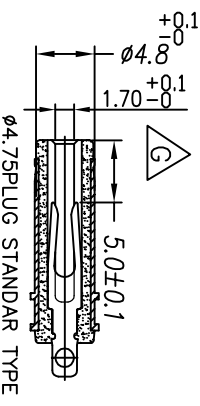


ELECTRICAL SCHEMATIC



REV	ECN NO OR DESCRIPTION	REVISED	DATE
G	ECN NO: T080181 Change drawing Error	Angela	2008.09.02

- SPECIFICATIONS:
1. INSERTION FORCE: 2.5KG MAX. WITHDRAWAL FORCE: 0.5KG-2.5KG
 2. INSULATION RESISTANCE BETWEEN ANY ADJACENT TERMINALS SHALL NOT BE LESS THAN 100 MΩ AT 500 VDC
 3. JACK SHALL WITHSTAND 250 VOLTS BETWEEN ANY ADJACENT TERMINAL FOR ONE MINUTE
 4. CONTACT RESISTANCE SHALL NOT EXCEED 20mΩ
 5. JACK SHALL WITHSTAND 5,000 CYCLES OF INSERTION AND WITHDRAWAL WITH TESTING PLUG, AND CONTACT RESISTANCE SHALL NOT EXCEED 30mΩ
 6. PACKAGING: TAPE & REEL
 7. RATING: DC 20V 7A DEPEND ON MATING PLUG DETAIL TYPE



8. TO CONFORM TO SINGATRON HAZARDOUS SUBSTANCE FREE SPEC.
9. GREEN PRODUCT IDENTIFICATION MARK ON JACK:
10. GREEN PRODUCT IDENTIFICATION LABEL ON PACKAGING: **G.P. PASS**
11. FOR REFLOW SOLDERING LEAD-FREE PROCESS.

G	INSULATION FILM	1	MYLAR 0.25t	BLACK COLOR
F	GROUND	1	SUS 304 0.1t	
E	SHELL	1	SPCC-SD 0.4t	TIN PLATING
D	TERMINAL	1	SUS 301 0.3t	
C	PIN	1	BRASS BAR	SILVER PLATING
B	SPRING	1	COOPER ALLOY 0.3t	TIN PLATING
A	BODY	1	HIGH TEMP. THERMOPLASTIC UL 94V-0	BLACK COLOR
NO	DESCRIPTION	QTY	MATERIAL	PLATING & COLOR
UNLESS OTHERWISE SPECIFIED TOLERANCES				
DECIMALS:		ANGLES:		
X	:±0.5	X	:±2°	
X.X	:±0.3	X.X	:±1°	
X.XX	:±0.2			
TITLE		DC POWER JACK		
DWG		ANGELA 2008.02 PART NO.2DC-G8131200		
CHKD		ANGELA 2008.02 SCALE:4/1 UNIT: mm		
APVD		LWX-001 2008.02 SIZE: A3 SHEET:1 OF 1 REV:G		
CUSTOMER COPY				

Singatron Enterprise Co., Ltd.
信音企業股份有限公司