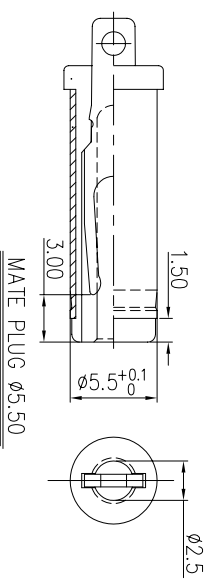
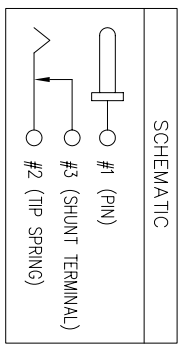
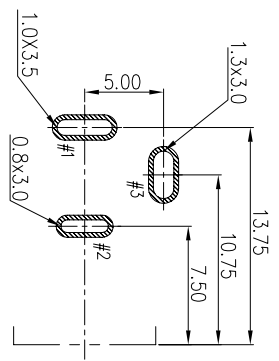
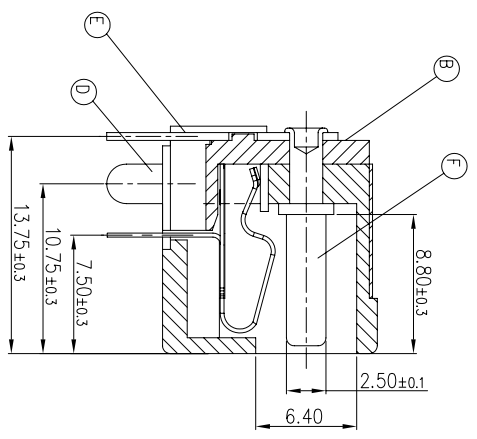
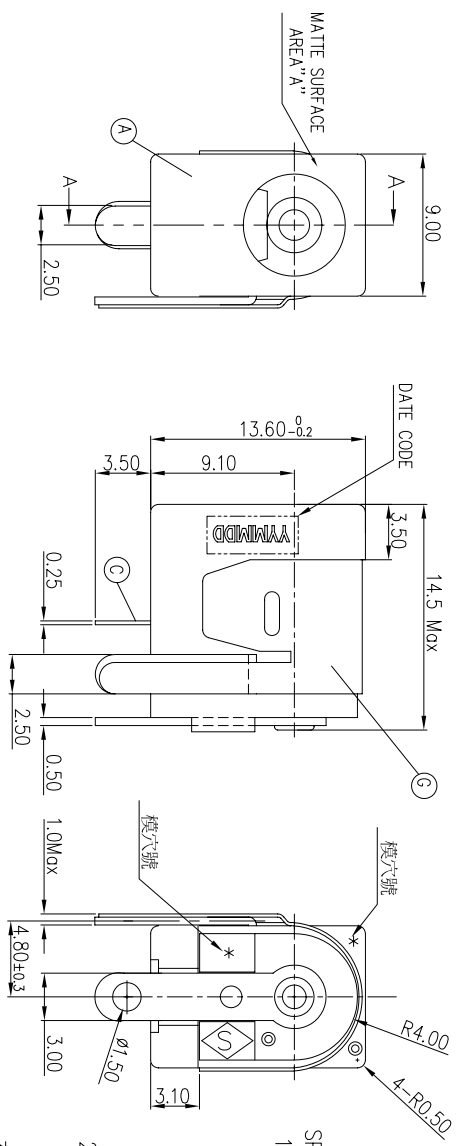


REV: ECN NO. OR DESCRIPTION	REVISED	DATE
A PRODUCT RELEASE	TED	18.07.20



SPECIFICATIONS:

1. ELECTRICAL CHARACTERISTICS:
  - 1-1. RATING: 20V, 4A Min.
  - 1-2. CONTACT RESISTANCE: 30 MILLIOHMS Max. FOR INITIAL, 50 MILLIOHMS Max. AFTER 5000 CYCLES.
  - 1-3. INSULATION RESISTANCE: 100 MEGAOHMS Min. BY 500V DC AFTER 1 MINUTE.
  - 1-4. DIELECTRIC WITHSTANDING VOLTAGE: 500V RMS AFTER 1 MINUTE.
2. MECHANICAL CHARACTERISTICS:
  - 2-1. INSERTION FORCE : 0.2~2.0 KGF
  - 2-2. WITHDRAWAL FORCE : 0.2~1.5 KGF
3. LIFE TEST: 5,000 CYCLES MIN.
4. OTHER GENERAL SPEC. TO REFER "2DC-S005 SERIES SPEC".
5. TO CONFORM TO SINGATRON HAZARDOUS SUBSTANCE FREE SPEC.
6. HALOGEN FREE PRODUCT IDENTIFICATION MARK ON PRODUCT:
7. HALOGEN FREE PRODUCT IDENTIFICATION LABEL ON PACKAGING:
8. FOR REFLOW SOLDERING LEAD-FREE PROCESS.
9. FOR WAVE SOLDERING LEAD-FREE PROCESS.
10. FOR HAND SOLDERING LEAD-FREE PROCESS.
11. DATE CODE "YMMDD"
  - DAY
  - MONTH
  - YEAR

NO	DESCRIPTION	QTY	MATERIAL	PLATING & COLOR
A	BODY	1	HIGH-THERMAL PLASTIC U.94V-0	BLACK COLOR
G	SHIELDING PLATE	1	COPPER ALLOY 0.2T	Sn(lead free)60u"Min.
F	PIN	1	COPPER ALLOY	Ni 60u"Min. PLATING
E	TERMINAL	1	COPPER ALLOY 0.5T	Ag 15u"Min. PLATING
D	SHUNT TERMINAL	1	COPPER ALLOY 0.5T	Ag 15u"Min. PLATING
C	TIP SPRING	1	COPPER ALLOY 0.25T	Ag 15u"Min. PLATING
B	COVER	1	HIGH-THERMAL PLASTIC U.94V-0	BLACK COLOR

Singatron Enterprise Co., Ltd.  
信登企業股份有限公司

UNLESS OTHERWISE SPECIFIED TOLERANCES	TITLE	DC POWER JACK
DECIMALS: ANGLES:	DWN	PART NO. 2DC-S005-B15F
X : ±0.5 X : ±2°	CHKD	SCALE 3:1 UNIT: mm
X X : ±0.3 X X : ±1°	APVD	SIZE: A3 SHEET: 10F1 REV: A
X XX : ±0.2		CUSTOMER COPY