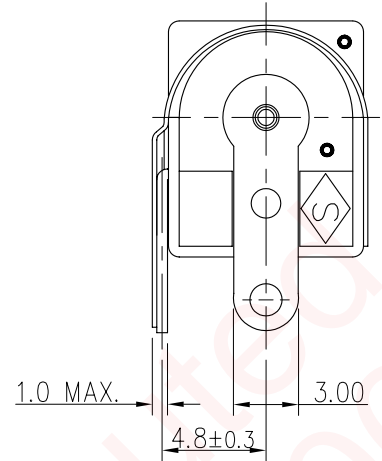
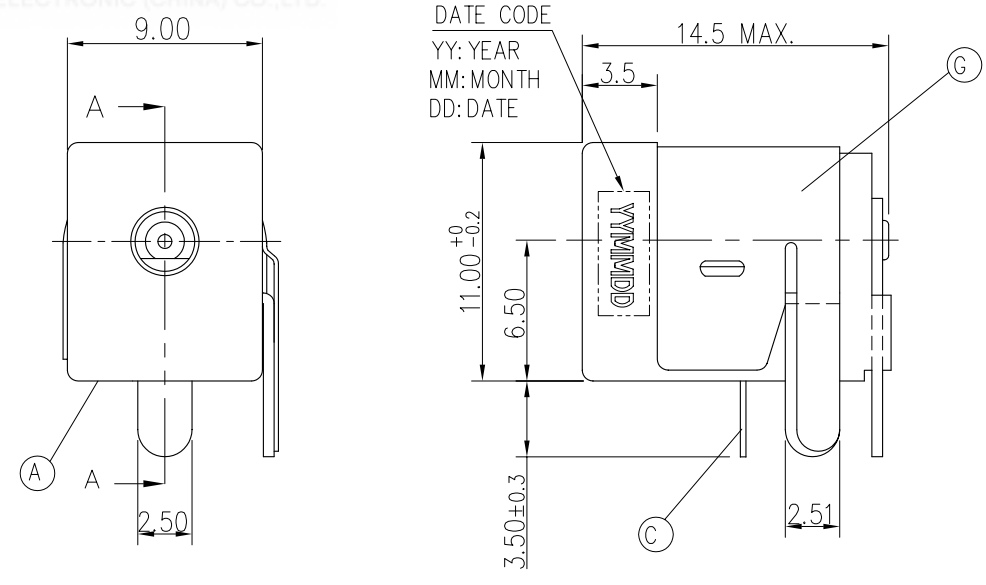


FOR SYNCMOLD DRAWING ONLY

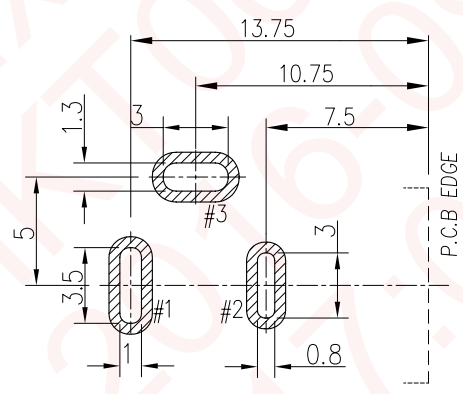
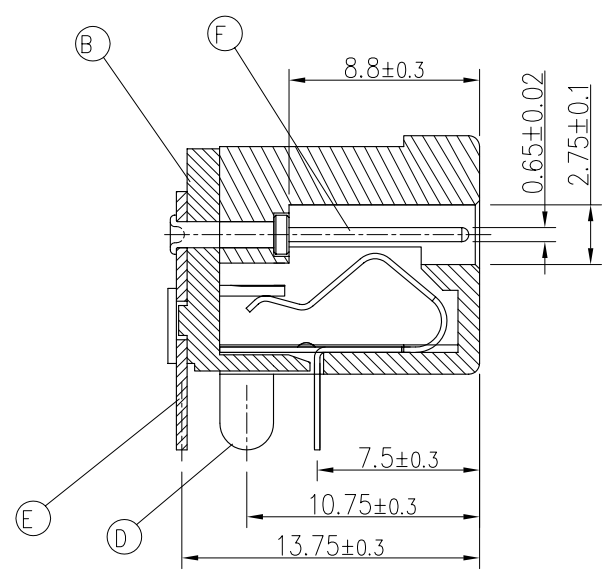


REV.	ECN NO OR DESCRIPTION	REVISED	DATE
A	PRODUCT RELEASE	BILL	10.09.14
B	ECN:C150158 MODIFY PLATING	CHEN	15.12.03
C	ECN:C16083 CHANGE RATING	Cheney	16.08.31

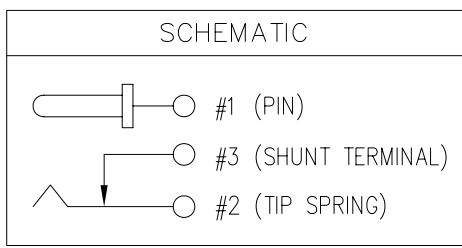
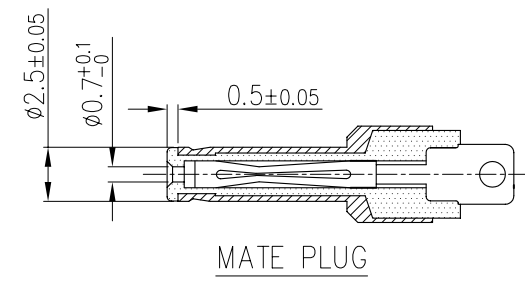


SPECIFICATIONS:

- ELECTRICAL CHARACTERISTICS:
  - RATING: 20V,4A.  $\triangle$
  - CONTACT RESISTANCE: 30m $\Omega$  MAX.(INITIAL)
  - DIELECTRIC WITHSTANDING VOLTAGE: 500 VAC FOR ONE MINUTE.
  - INSULATION RESISTANCE: 100M $\Omega$  MIN. MEASURED BY 500 VDC
- MECHANICAL CHARACTERISTICS:
  - INSERTION FORCE : 0.2~2.5 KGF.
  - WITHDRAWAL FORCE : 0.2~3.0KGF.
- LIFE TEST: 5,000 CYCLES MIN.
- OTHER GENERAL SPEC. TO REFER "2DC-S005 SPEC".
- TO CONFORM TO SINGATRON HAZARDOUS SUBSTANCE FREE SPEC.
- HALOGEN FREE PRODUCT IDENTIFICATION MARK ON JACK:  $\odot$
- HALOGEN FREE PRODUCT IDENTIFICATION LABEL ON PACKAGING:
- FOR REFLOW SOLDERING LEAD-FREE PROCESS.
- PACKAGING: TRAY.



RECOMMEND PC BOARD LAYOUT  
TOP VIEW(TOLERANCE  $\pm 0.05$ )



NO	DESCRIPTION	QTY	MATERIAL	PLATING & COLOR
$\triangle$ G	SHIELDING	1	COPPER ALLOY 0.2T	NICKEL PLATED
F	PIN	1	COPPER ALLOY	NICKEL PLATED
E	TERMINAL	1	COPPER ALLOY 0.5T	SILVER PLATED
D	SHUNT TERMINAL	1	COPPER ALLOY 0.5T	SILVER PLATED
C	TIP SPRING	1	COPPER ALLOY 0.25T	SILVER PLATED
B	COVER	1	HIGH TEMP.THERMPLASTIC UL94V-0	BLACK COLOR
A	BODY	1	HIGH TEMP.THERMPLASTIC UL94V-0	BLACK COLOR

UNLESS OTHERWISE SPECIFIED TOLERANCES		Singatron Enterprise Co., Ltd. 信音企業股份有限公司	
DECIMALS:	ANGLES:	TITLE	DC POWER JACK
X : $\pm 0.5$	X : $\pm 2^\circ$	DWN	Nanlin-Chen 16/09/08 PART NO.: 2DC-S005-J14
X.X : $\pm 0.3$	X.X : $\pm 1^\circ$	CHKD	Qicai-Hu 16/09/08 SCALE 1:1 UNIT: mm
X.XX : $\pm 0.2$		APVD	Zjz-Zhou 16/09/08 SIZE: A3 SHEET: 10F1 REV: C

CUSTOMER COPY

2016/09/07 16:03:27

#RD-06-043-A