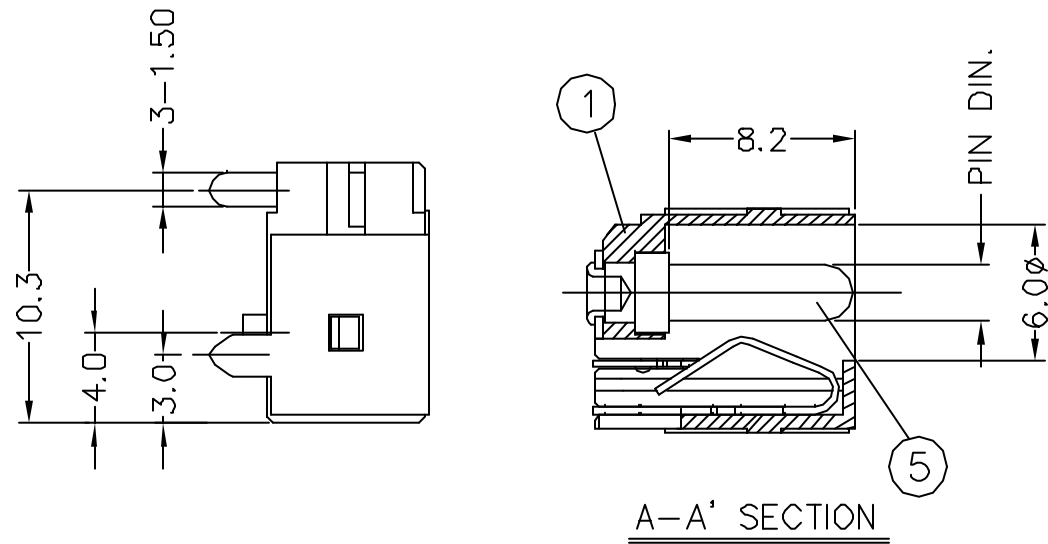
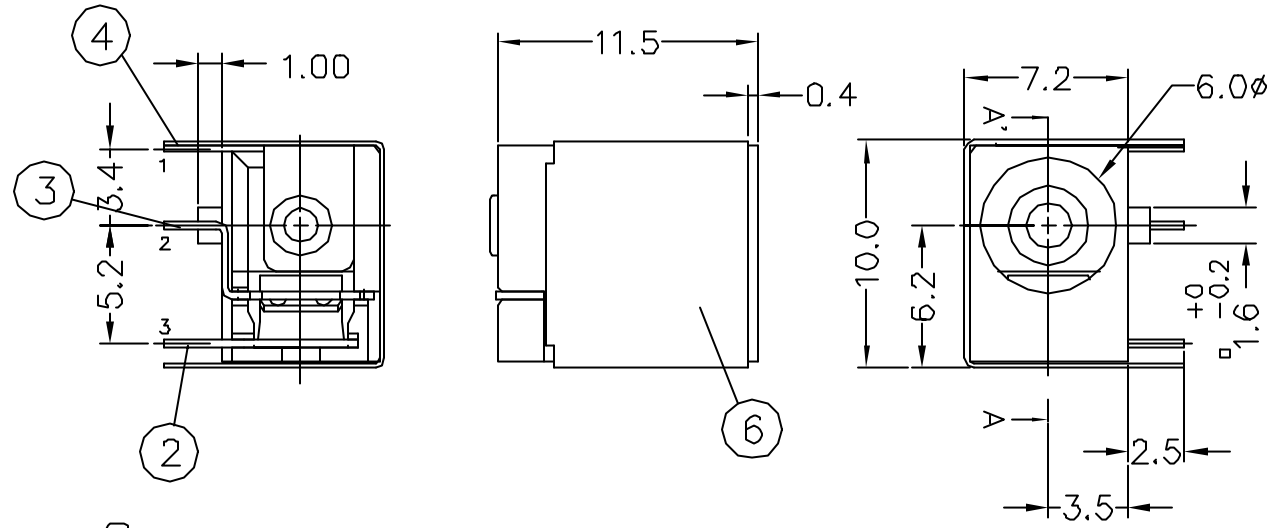


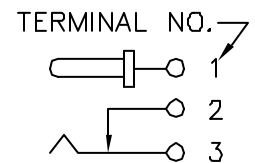
REV.	ECN NO. OR DESCRIPTION	REVISED	DATE
C	MODIFY RATING: 24V 2A → 20V 4A	AMY	2/21-'02
C	MODIFY [1]	AMY	2/21-'02



- SPECIFICATIONS:
- RATING: DC 20V 4A
 - LOAD SIDE CAPACITANCE: 4.7μF*4 MIN.
 - INSERTION FORCE: 0.4KG-3.0KG
WITHDRAWAL FORCE: 0.4KG-3.0KG
 - INSULATION RESISTANCE BETWEEN ANY ADJACENT TERMINALS SHALL NOT BE LESS THAN 100 M BY 500 VOLTS MEGGER.
 - JACK SHALL WITHSTAND 250 VOLTS BETWEEN ANY ADJACENT TERMINAL FOR ONE MINUTE.
 - CONTACT RESISTANCE SHALL NOT EXCEED 30 m.
 - JACK SHALL WITHSTAND 5,000 CYCLES OF INSERTION AND WITHDRAWAL WITH TESTING PLUG, AND CONTACT RESISTANCE SHALL NOT EXCEED 100 m.
 - MEASURING CONDITION:
TEMPERATURE: FROM 5°C TO 35°C.
RELATIVE HUMIDITY: FROM 40% TO 85%
 - ENVIRONMENTAL SPECIFICATIONS:
9.1 HUMIDITY TEST: HUMIDITY 90% TO 95% TEMPERATURE 40°C ± 2°C FOR 96 HOURS.
9.2 HEAT TEST: TEMPERATURE 70°C ± 2°C (HUMIDITY BELOW 50%) FOR 96 HOURS.
9.3 COLD TEST: TEMPERATURE -40°C ± 2°C FOR 96 HOURS.
 - SOLDERABILITY TEST: THE TERMINATION IS AT LEAST 95% COVERED BY A CONTINUOUS NEW SOLDER COATING.
TEST CONDITION: DIP IN MOLTEN SOLDER FOR 5 Sec. AT 245±5°C (TERMINATION SHALL BE IMMERSSED IN FLUX BEFORE TEST)
 - PACKING: TUBE PACKED

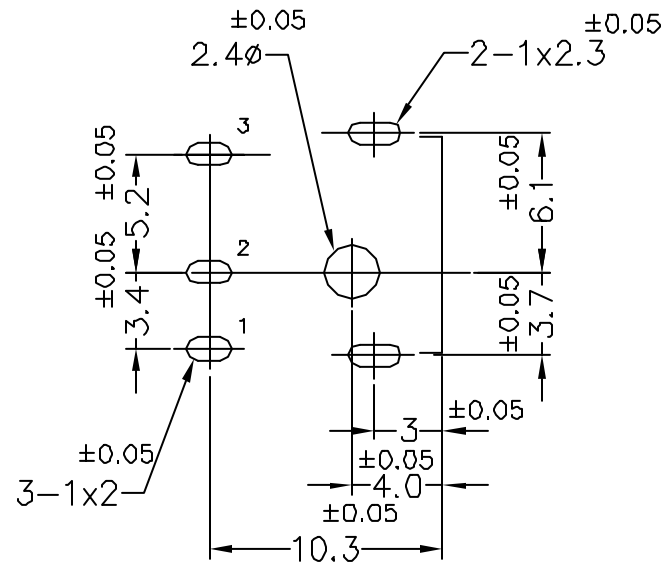
ORDERING CODE:

2DC-S026-□05



ELECTRICAL CIRCUIT

PART NO.	PIN DIA.
B	2.5φ ⁺⁰ _{-0.1}
D	2.0φ ⁺⁰ _{-0.1}
C	2.35φ ⁺⁰ _{-0.1}



RECOMMENDED P.C.B LAYOUT
SOLDERING SIDE

NO	DESCRIPTION	QTY	MATERIAL	PLATING & COLOR
6	SHIELDING	1	BRASS STRIP 0.2t	NICKEL PLATING
5	PIN	1	BRASS BAR	NICKEL PLATING
4	TERMINAL	1	BRASS STRIP 0.3t	SILVER PLATING
3	SHUNT TERMINAL	1	BRASS STRIP 0.3t	SILVER PLATING
2	TIP SPRING	1	COPPER ALLOY 0.3t	SILVER PLATING
1	BODY	1	HIGH TEMP. THERMOPLASTIC UL 94V-0	YELLOW COLOR(107C)

UNLESS OTHERWISE SPECIFIED TOLERANCES

Singatron Enterprise Co., Ltd.
信音企業股份有限公司

DECIMALS:	ANGLES:	TITLE	DC POWER JACK		
X : ±0.3	X : ±2°	DWN	ANY 2/21-'02	PART NO. 2DC-S026-□05	
X.X : ±0.2	X.X : ±1°	CHKD	SAM 2/25-'02	SCALE: 3/1	UNIT: MM
X.XX : ±0.1		APVD	SHUN 2/27-'02	SIZE: A3	SHEET: 1 OF 1