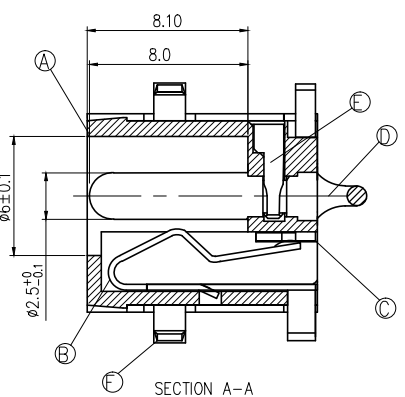
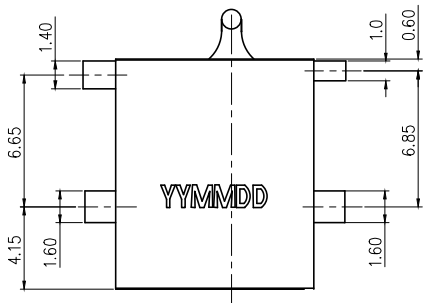
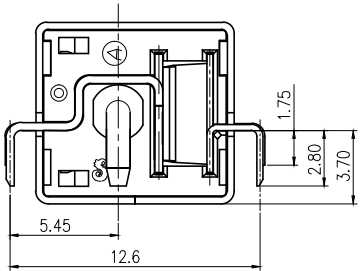
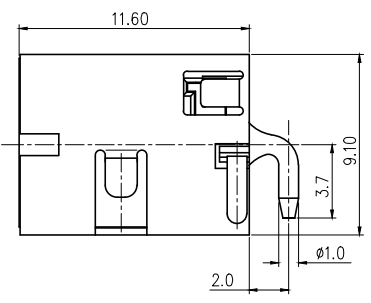
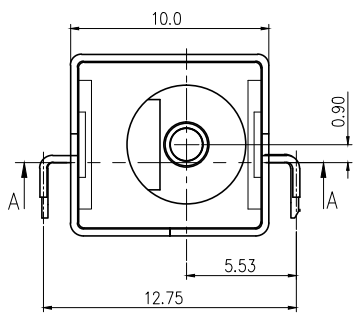


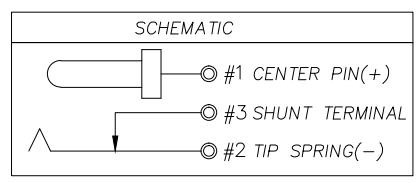
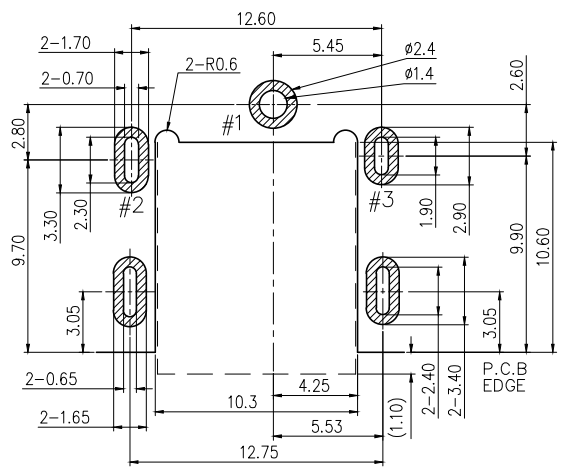
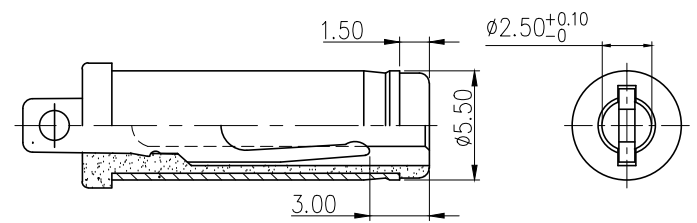
REV.	ECN NO OR DESCRIPTION	REVISED	DATE
A	PDR NO:C201118-3A	Kesheng	2021.02.24



- SPECIFICATIONS:
- ELECTRICAL CHARACTERISTICS:
 - RATING: DC 20V/5.5A.
 - CONTACT RESISTANCE: 30mΩ MAX.(INITIAL)60mΩ MAX.(FINAL)
 - DIELECTRIC WITHSTANDING VOLTAGE: 500V AC FOR ONE MINUTE.
 - INSULATION RESISTANCE: 100MΩ MIN. MEASURED BY 500V DC.
 - MECHANICAL CHARACTERISTICS:
 - INSERTION FORCE: 0.5~2.5Kgf.
 - WITHDRAWAL FORCE: 0.5~2.5Kgf.
 - LIFE TEST: 5000 CYCLES MIN.
 - OTHER GENERAL SPEC. TO REFER "2DC-S028-B06F SPEC".
 - PRINTED DATE CODE "YYMMDD" ON TOP OF CONNECTOR.
 - TO CONFORM TO SINGATRON HAZARDOUS SUBSTANCE FREE SPEC.
 - HALOGEN FREE IDENTIFICATION MARK ON JACK: ©
 - HALOGEN FREE IDENTIFICATION LABEL ON PACKAGING: Ⓢ
 - FOR 260°C 10SEC. WAVE SOLDERING LEAD-FREE PROCESS.



YY MM DD
 → DD: DAY
 → MM: MONTH
 → YY: YEAR



NO	DESCRIPTION	QTY	MATERIAL	PLATING & COLOR
F	SHIELD	1	COOPER ALLOY 0.35t	BRIGHT SN 40~50u",Ni20~30u"
E	TERMINAL	1	HIGHT TEMP.THERMDPLASTIC UL94V-0	BLACK
D	CONTACT PIN	1	BRASS $\phi 2.5$	GOLD FLASH,Ni50u"MIN
C	SHUNT TERMINAL	1	COOPER ALLOY 0.4t	Ag20u"MIN,Ni20u"MIN
B	TIP SPRING	1	COPPER ALLOY 0.3t	Ag20u"MIN,Ni20u"MIN
A	BODY	1	HIGHT TEMP.THERMDPLASTIC UL94V-0	BLACK

UNLESS OTHERWISE SPECIFIED TOLERANCES

DECIMALS: X : ±0.5 X.X : ±0.3 X.XX : ±0.2

ANGLES: X : ±2° X.X : ±1°

TITLE: DC POWER JACK

DWN: Kesheng PART NO. 2DC-S028-B06F

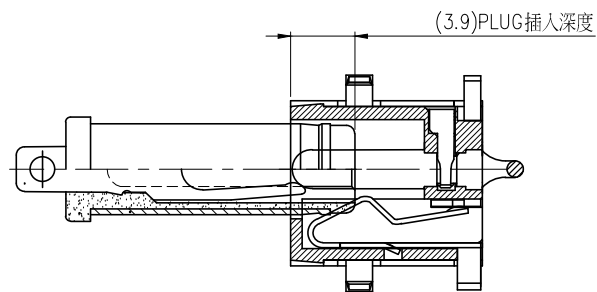
CHKD: Lussen SCALE 1:1 UNIT: mm

APVD: Boye SIZE: A3 SHEET: 10F2 REV: A

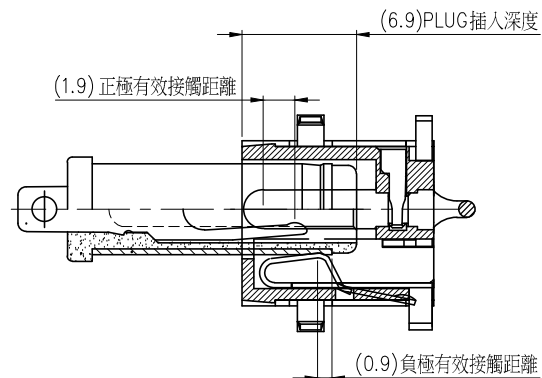
CUSTOMER COPY

REV.	ECN NO OR DESCRIPTION	REVISED	DATE
A	PDR NO.:C201118-3A	Kesheng	2021.02.24

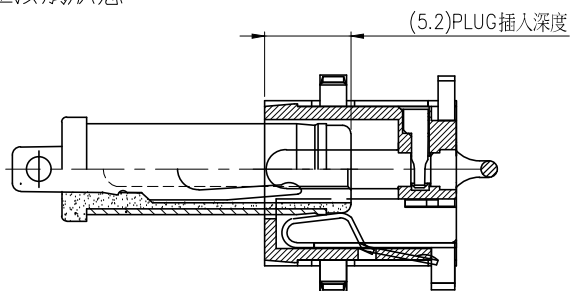
1. 正極接觸狀態



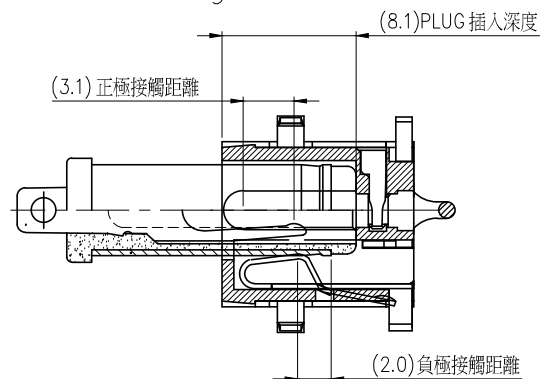
3. Lock 狀態




2. 負極接觸狀態



4. Full Mating 狀態



NO	DESCRIPTION	QTY	MATERIAL	PLATING & COLOR
UNLESS OTHERWISE SPECIFIED TOLERANCES		 Singatron Enterprise Co., Ltd. 信音企業股份有限公司		
DECIMALS:	ANGLES:	TITLE	DC POWER JACK	
X : ±0.5	X : ±2°	DWN Kesheng	PART NO. 2DC-S028-B06F	
X.X : ±0.3	X.X : ±1°	CHKD Lussen	SCALE 4:1	UNIT: mm
X.XX : ±0.2		APVD Boye	SIZE: A3	SHEET: 2 OF 2
CUSTOMER COPY				