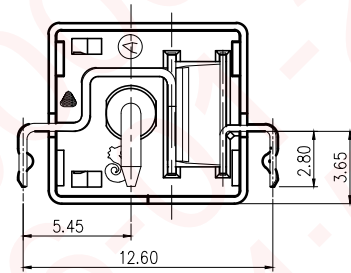
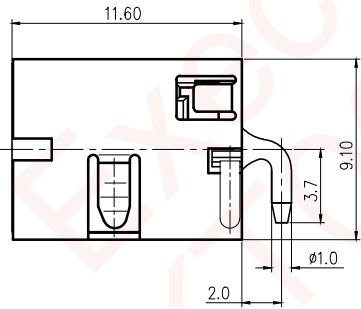
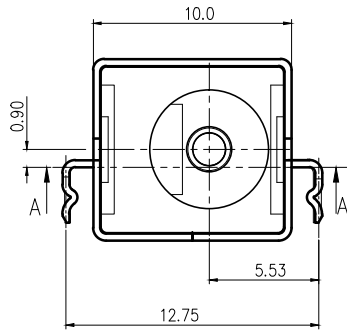
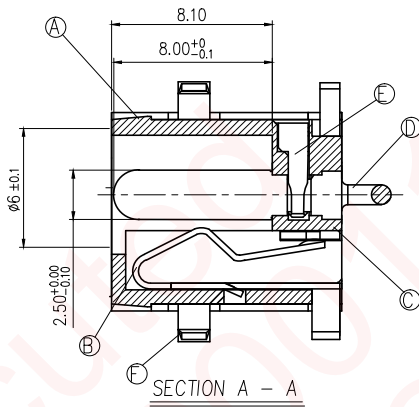
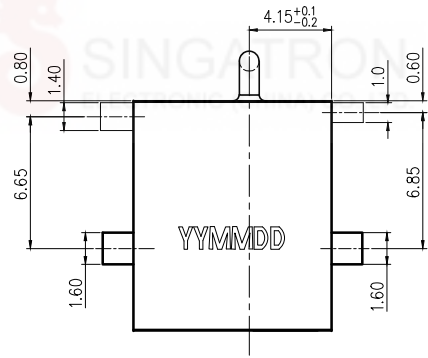
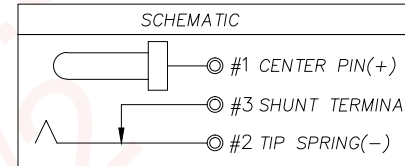


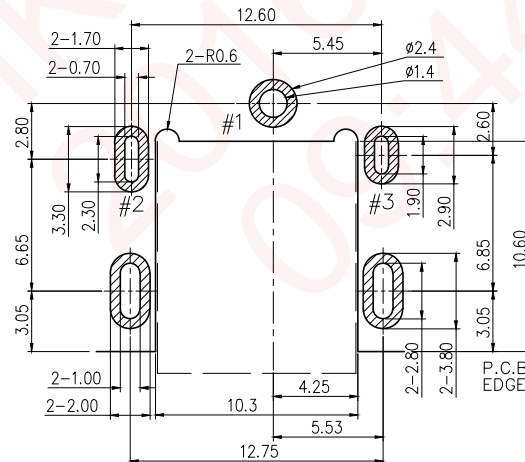
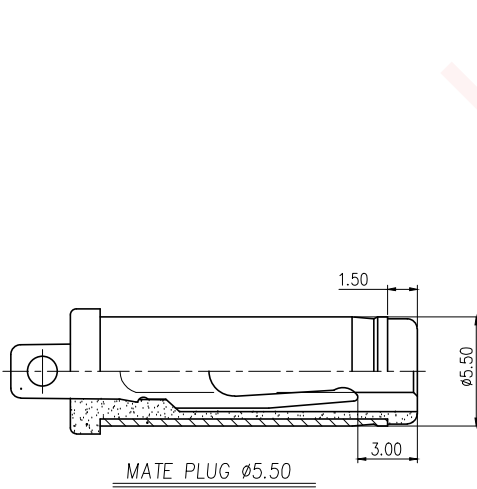
REV.	ECN NO OR DESCRIPTION	REVISED	DATE
A	ECN:C140262 MODIFY DRAWING	CHEN	2014.12.03
B	ECN:S151165-C	YUREN	2016.01.12



- SPECIFICATIONS:**
- RATING: DC 26V 7A
 - INSERTION FORCE: 2.5Kg MAX.
WITHDRAWAL FORCE: 1.0Kg~2.5Kg
 - INSULATION RESISTANCE BETWEEN ANY ADJACENT TERMINALS SHALL NOT BE LESS THAN 100 MEGOHMS BY 500V DC.
 - JACK SHALL WITHSTAND 500 VOLTS BETWEEN ANY ADJACENT TERMINAL FOR ONE MINUTE.
 - CONTACT RESISTANCE SHALL NOT EXCEED 0.03 OHMS.
 - JACK SHALL WITHSTAND 5,000 CYCLES OF INSERTION AND WITHDRAWAL WITH TESTING PLUG, AND CONTACT RESISTANCE SHALL NOT EXCEED 0.06 OHMS.
 - MEASURING CONDITION:
TEMPERATURE: FROM 5°C TO 35°C.
RELATIVE HUMIDITY: FROM 40% TO 85%.
 - TO CONFORM TO SINGATRON HAZARDOUS SUBSTANCE FREE SPEC.
 - GREEN PRODUCT IDENTIFICATION LABEL ON PACKAGING: **G.P. PASS**
 - FOR 260°C 10SEC. WAVE SOLDERING LEAD-FREE PRODUCT.
 - PRINTED DATE CODE "YYMMDD" ON TOP OF CONNECTOR.
 - PACKAGING: TAPE&REEL



YYMMDD
 DD: DAY
 MM: MONTH
 YY: YEAR



F	SHIELD	1	BRASS 0.35t	Ni 60u" MIN.(SOLDERABILITY)
E	TERMINAL	1	HIGHT TEMP.THERMDPLASTIC UL94V-0	BLACK COLOR
D	CONTACT PIN	1	BRASS BAR	Ag20u "MIN,Ni20u"MIN
C	SHUNT TERMINAL	1	BRASS 0.4t	Ag20u "MIN,Ni20u"MIN
B	TIP SPRING	1	COPPER ALLOY 0.3t	Ag20u "MIN,Ni20u"MIN
A	BODY	1	HIGHT TEMP.THERMDPLASTIC UL94V-0	BLACK COLOR
NO	DESCRIPTION	QTY	MATERIAL	PLATING & COLOR

UNLESS OTHERWISE SPECIFIED TOLERANCES

Singatron Enterprise Co., Ltd.
 信音企業股份有限公司

DECIMALS: ANGLES:
 X : ±0.5 X : ±2°
 X.X : ±0.3 X.X : ±1°
 X.XX : ±0.2

TITLE			
DC POWER JACK			
DWN	YUREN	PART NO. 2DC-S028B200	
CHKD	CERRY	SCALE 1:1	UNIT: mm
APVD	LIAO	SIZE: A3	SHEET: 10F1
REV: B			

CUSTOMER COPY