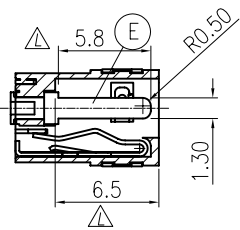
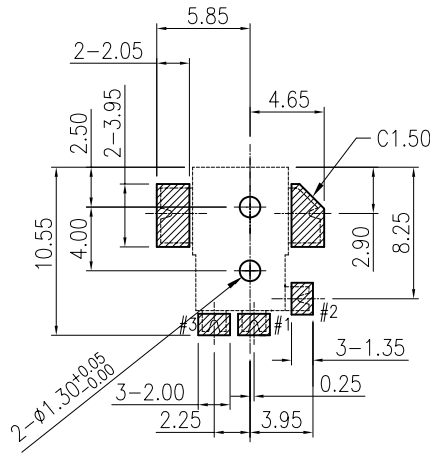
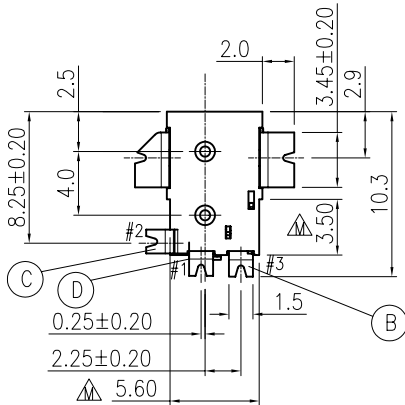
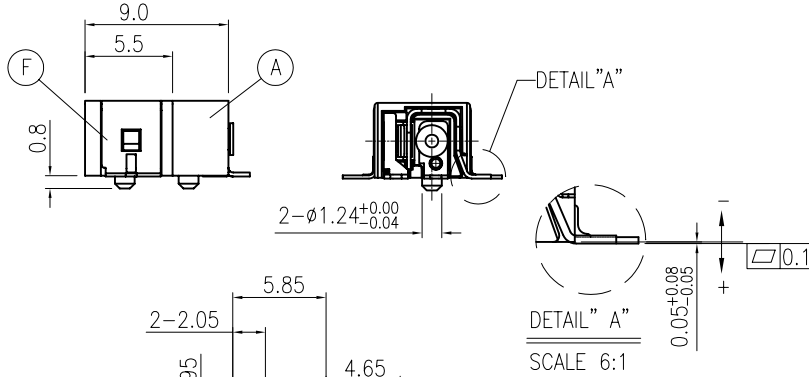
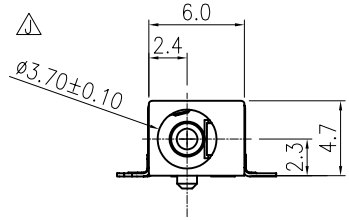
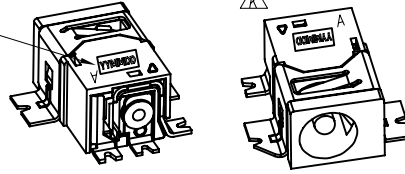


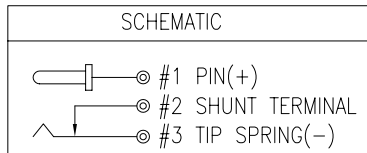
REV.	ECN NO OR DESCRIPTION	REVISED	DATE
J	ECN NO:C100607 DELETE GAUGE PLUG	LONGJIANG	2010.12.22
K	ECN:C120010 ADD GP MARK	LONGJIANG	2012.01.17
L	ECN:C120096 UPDATE DRAWING	DAOWEN	2012.04.16
M	ECN:C170142 ADD DIMENSION	Zhao	2017.12.22

DATE CODE
 YY:Year(08)
 MM:Month(01~12)
 DD:Day(01~31)



RECOMMENDED P.C.B LAYOUT

PRINTED SIDE
 (TOLERANCE: ±0.05)



SPECIFICATIONS:

- ELECTRICAL CHARACTERISTICS:
 - RATING: DC 24V 4A
 - CONTACT RESISTANCE: 30mΩ MAX.(INITIAL)
 - DIELECTRIC WITHSTANDING VOLTAGE: 500V AC FOR ONE MINUTE.
 - INSULATION RESISTANCE: 100MΩ MIN. MEASURED BY 500 VDC
- MECHANICAL CHARACTERISTICS:
 - INSERTION FORCE : 0.3~2.0 KGF
 - WITHDRAWAL FORCE : 0.3~2.0 KGF
- LIFE TEST: 10,000 CYCLES MIN.
- OTHER GENERAL SPEC. TO REFER "DC POWER JACK SPEC".
- TO CONFORM TO SINGATRON HAZARDOUS SUBSTANCE FREE SPEC.
- GREEN PRODUCT IDENTIFICATION MARK ON JACK:
- GREEN PRODUCT IDENTIFICATION LABEL ON PACKAGING: **G.P. PASS**
- FOR REFLOW SOLDERING LEAD-FREE PROCESS.
- PACKAGING: TAPE & REEL.

F	SHIELDING	1	BRASS STRIP 0.2t	SILVER PLATING
E	PIN	1	BRASS BAR	NICKEL PLATING
D	TERMINAL	1	BRASS STRIP 0.2t	SILVER PLATING
C	SHUNT TERMINAL	1	BRASS STRIP 0.25t	SILVER PLATING
B	TIP SPRING	1	BERYLLIUM COPPER 0.25t	SILVER PLATING
A	BODY	1	HIGH TEMP. THERMOPLASTIC UL 94V-0	BLACK COLOR
NO	DESCRIPTION	QTY	MATERIAL	PLATING & COLOR
UNLESS OTHERWISE SPECIFIED TOLERANCES		Singatron Enterprise Co., Ltd. 信音企業股份有限公司		
DECIMALS: ANGLES:		TITLE DC POWER JACK		
X :±0.5	X :±2°	DWN	Zhao-jin 17/12/28	PART NO. 2DC-S050-H01
X.X :±0.3	X.X :±1°	CHKD	Stone-Zhu 17/12/28	SCALE 3:1 UNIT: mm
X.XX :±0.2		APVD	Jin-deng 17/12/28	SIZE: A3 SHEET: 10F1 REV: M
CUSTOMER COPY				