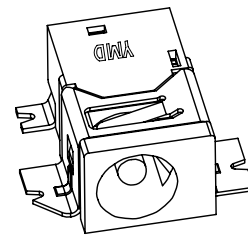


REV.	ECN NO OR DESCRIPTION	REVISED	DATE
A	PRODUCT RELEASE	WANG-TANG	2015.08.19



SPECIFICATIONS:

1. ELECTRICAL CHARACTERISTICS:

1-1. RATING: 24V, 4A Min.

1-2. CONTACT RESISTANCE:

30 MILLIOHMS Max. FOR INITIAL,
50 MILLIOHMS Max. AFTER 5000 CYCLES.

1-3. INSULATION RESISTANCE: 100 MEGAOHMS Min. BY 500V DC AFTER 1 MINUTE.

1-4. DIELECTRIC WITHSTANDING VOLTAGE: 500V RMS AFTER 1 MINUTE.

2. MECHANICAL CHARACTERISTICS:

2-1. INSERTION FORCE : 0.3~2.0 KGF

2-2. WITHDRAWAL FORCE : 0.3~2.0 KGF

3. LIFE TEST: 5,000 CYCLES MIN.

4. OTHER GENERAL SPEC. TO REFER "2DC-S050-H10F SPEC".

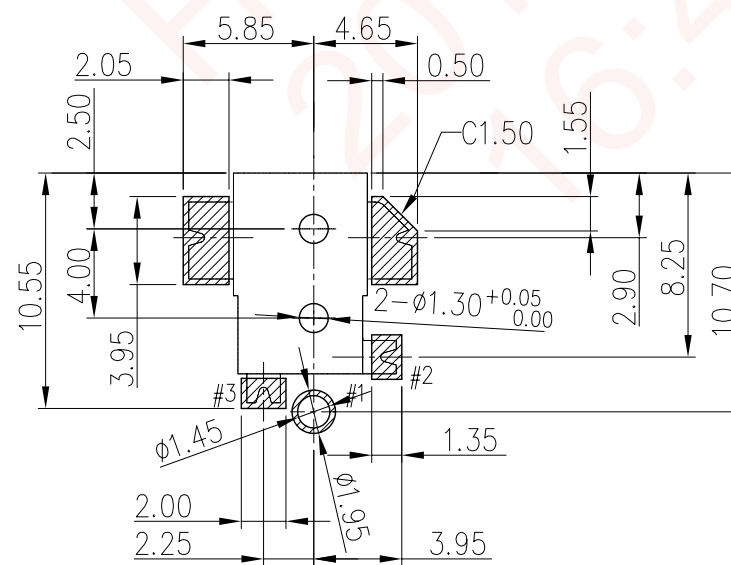
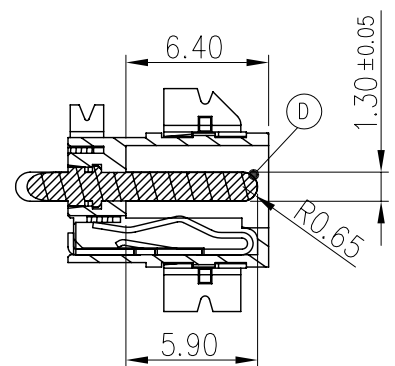
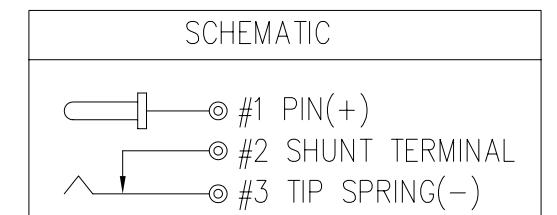
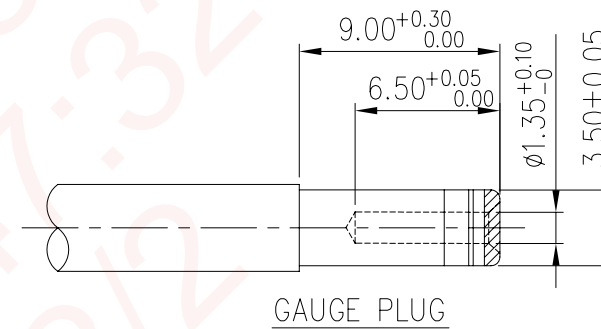
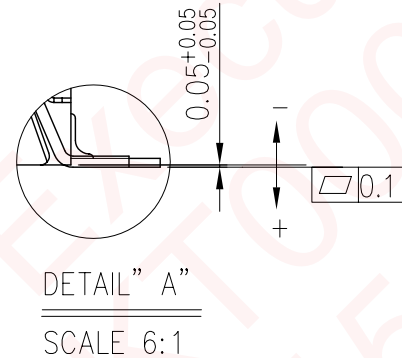
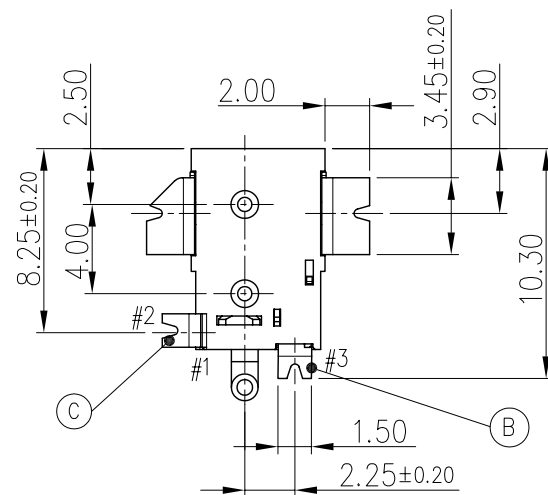
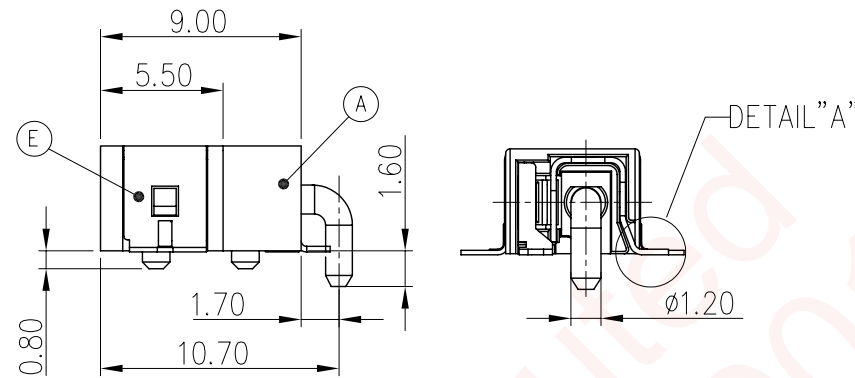
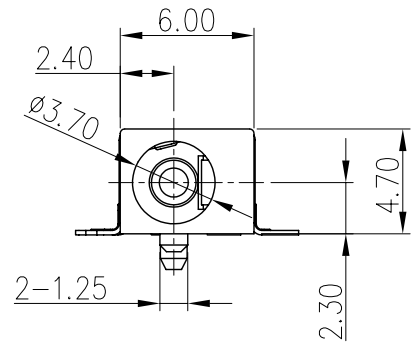
5. TO CONFORM TO SINGATRON HAZARDOUS SUBSTANCE FREE SPEC.

6. HALOGEN FREE PRODUCT IDENTIFICATION MARK ON PRODUCT:

7. HALOGEN FREE PRODUCT IDENTIFICATION LABEL ON PACKAGING:

8. FOR REFLOW SOLDERING LEAD-FREE PROCESS.

9. PACKAGING: TAPE & REEL.



RECOMMENDED P.C.B LAYOUT
PRINTED SIDE
(TOLERANCE: ±0.05)

NO	DESCRIPTION	QTY	MATERIAL	PLATING & COLOR
E	SHIELDING	1	COPPER ALLOY 0.25T	Ag 20u" Min.
D	PIN	1	BRASS BAR	GOLD FLASH, Ni 50u" Min.
C	SHUNT TERMINAL	1	BRASS STRIP 0.2t	Ag 20u" Min.
B	TIP SPRING	1	COPPER ALLOY 0.25T	Ag 20u" Min.
A	BODY	1	HIGH TEMP. THERMOPLASTIC UL 94V-0	BLACK COLOR

UNLESS OTHERWISE SPECIFIED TOLERANCES		Singatron Enterprise Co., Ltd. 信音企業股份有限公司		
DECIMALS:	ANGLES:	TITLE	DC POWER JACK	
X : ±0.5	X : ±2°	DWN	Wang-Tang 15/8/31	PART NO. 2DC-S050-H10F
X.X : ±0.3	X.X : ±1°	CHKD	Stone-Zhu 15/8/31	SCALE 3:1 UNIT: mm
X.XX : ±0.2		APVD	Zi-Zhou 15/8/31	SIZE: A3 SHEET: 1 OF 1 REV: A

CUSTOMER COPY 08/31

15:05:51