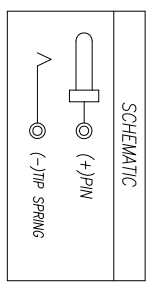
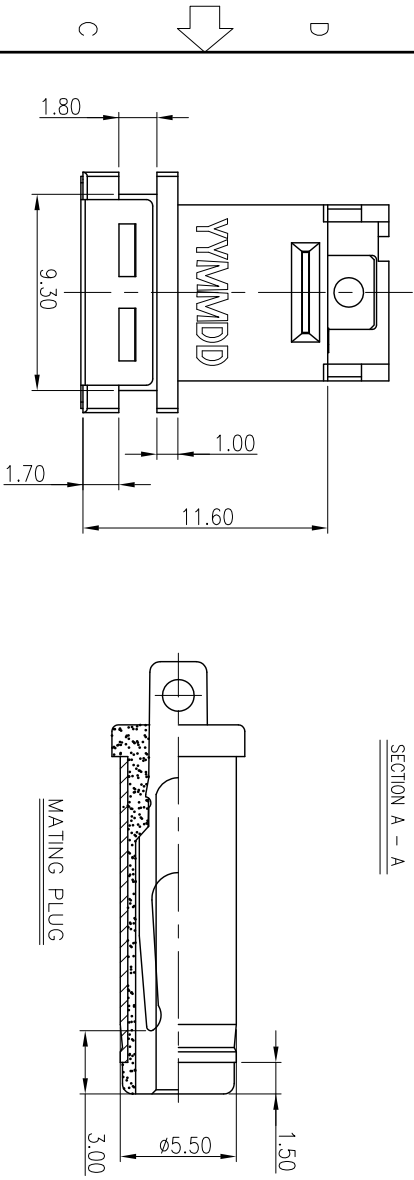
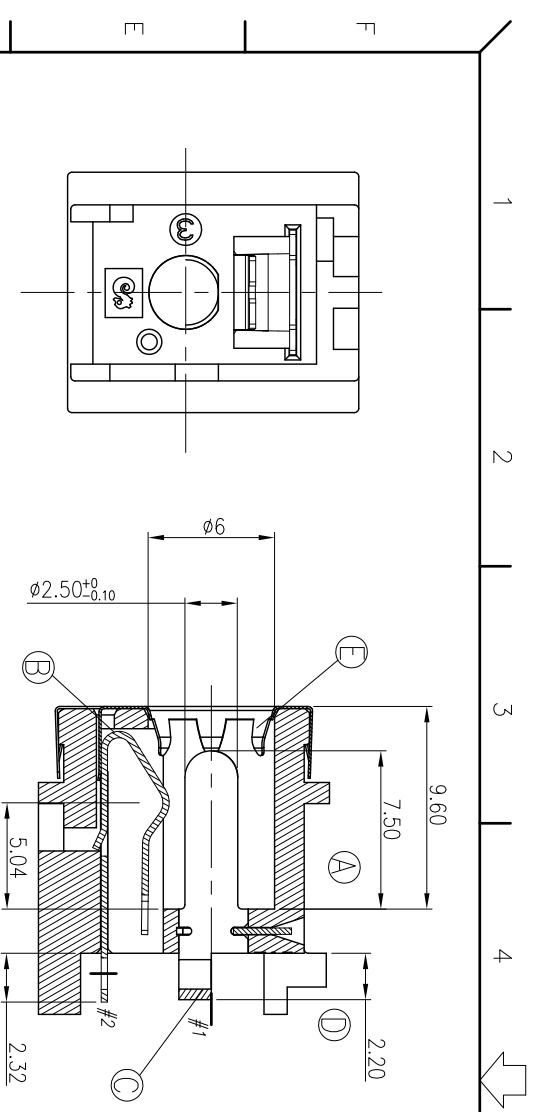


REV.	ECN NO OR DESCRIPTION	REVISED	DATE
A	PDR NO. T10705-3A	Eileen	2011.07.21



- SPECIFICATIONS:**
- ELECTRICAL CHARACTERISTICS:**
 - 1-1. RATING: 15V 9A
 - 1-2. CONTACT RESISTANCE: 30mΩ MAX.(INITIAL)
 - 1-3. DIELECTRIC WITHSTANDING VOLTAGE: 500V AC FOR ONE MINUTE
 - 1-4. INSULATION RESISTANCE: 100MΩ MIN. MEASURED BY 500 VDC
 - MECHANICAL CHARACTERISTICS:**
 - 2-1. INSERTION FORCE : 0.5~5.5 KGF
 - 2-2. WITHDRAWAL FORCE : 0.4~4.5 KGF
 - LIFE TEST: 5,000 CYCLES MIN.**
 - OTHER GENERAL SPEC. TO REFER "DC JACK GENERAL SPEC".**
 - TO CONFORM TO SINGATRON HAZARDOUS SUBSTANCE FREE SPEC.**
 - FOR HAND SOLDERING LEAD-FREE PROCESS.**
 - HALOGEN FREE PRODUCT IDENTIFICATION MARK ON JACK:**
 - HALOGEN FREE PRODUCT IDENTIFICATION LABEL ON PACKAGING:**
 - PRINTED DATE CODE "YYMMDD" ON TOP OF CONNECTOR.**
- DD: DAY
MM: MONTH
YY: YEAR

NO	DESCRIPTION	QTY	MATERIAL	PLATING & COLOR
E	GROUNDING	1	STAINLESS STEEL 0.1T	N/A
D	TERMINAL	1	STAINLESS STEEL 0.3T	N/A
C	P/N	1	BRASS BAR	Ni 60u" Min
B	TIP SPRING	1	COPPER ALLOY 0.3T	Ag 20u" OVER Ni 60u"
A	BODY	1	THERMOPLASTIC UL 94V-0	BLACK

UNLESS OTHERWISE SPECIFIED TOLERANCES

Singatron Enterprise Co., Ltd.
信管企業股份有限公司

DECIMALS:	ANGLES:	TITLE
X : ±0.5	X : ±2°	DC POWER JACK
X.X : ±0.3	X.X : ±1°	DWN Eileen
X.XX : ±0.2		CHKD Sky
		APVD Lussen

PART NO. 2DC-S057-B06F

SCALE: 4:1

UNIT: mm

SIZE: A3

SHEET: 1 OF 1

REV: A

CUSTOMER COPY