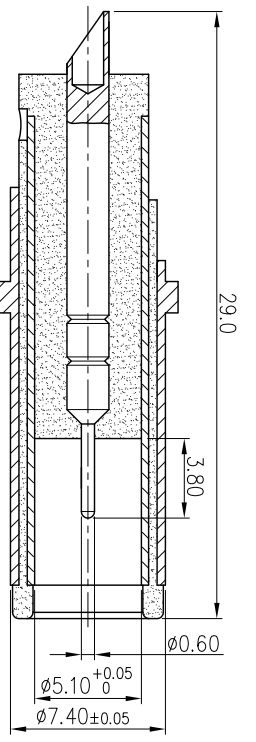
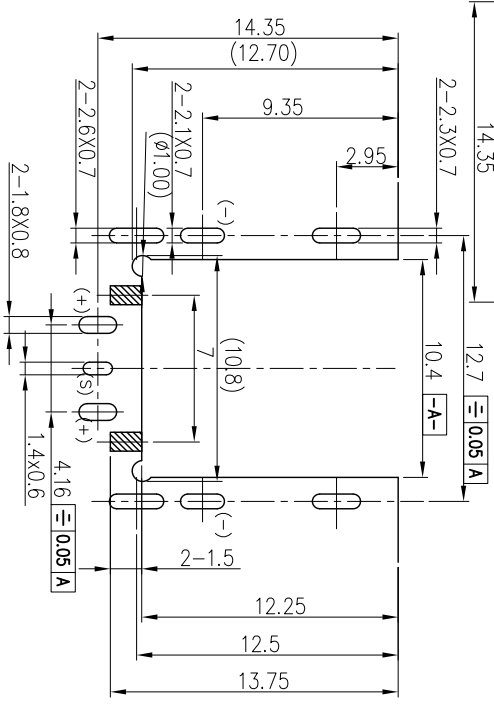
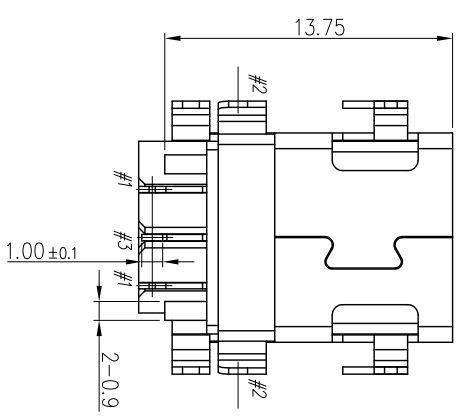
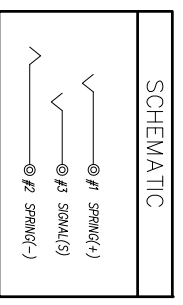
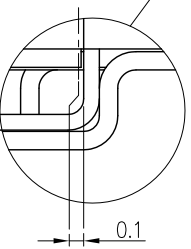
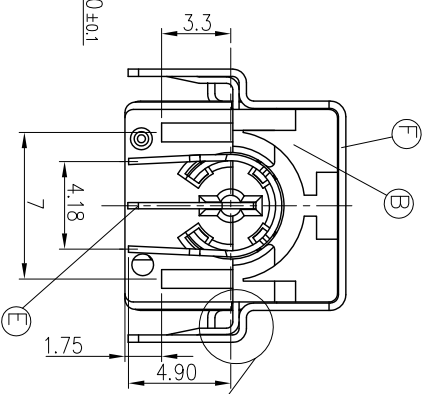
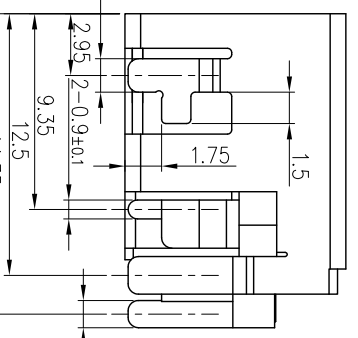
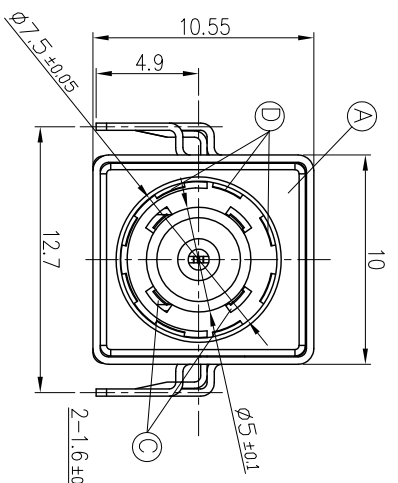


DD: DAY  
MM: MONTH  
YY: YEAR



MATING PLUG:  $\phi 7.4 \times \phi 5.1 \times P 0.6 \times 29.0L$   
(TOLERANCE  $\pm 0.05$ )



RECOMMENDED P.C.B LAYOUT( $t=1.2mm$ )  
TOP VIEW (Tolerance:  $\pm 0.05$ )

REV.	ECN NO. OR DESCRIPTION	REVISED	DATE
I	ECN NO.: S120374	SEAN	2012.04.18
J	ECN NO.: S121043	SEAN	2013.01.21
K	ECN NO.: S121228	Danfeng	2013.03.27

SPECIFICATIONS:

- ELECTRICAL CHARACTERISTICS:
  - 1-1. RATING: DC 42V 10A OR AC 30V 10A
  - 1-2. CONTACT RESISTANCE: 30m $\Omega$  MAX.(INITIAL)
  - 1-3. DIELECTRIC WITHSTANDING VOLTAGE: 150V DC FOR ONE MINUTE.
  - 1-4. INSULATION RESISTANCE: 100M $\Omega$  MIN. MEASURED BY 500 VDC
- MECHANICAL CHARACTERISTICS:
  - 2-1. INSERTION FORCE: 3.0 KGF Max.
  - 2-2. WITHDRAWAL FORCE: 0.35 KGF Min.
- LIFE TEST: 5,000 CYCLES MIN.
- OTHER GENERAL SPEC. TO REFER "20C-S060-001 SPEC".
- TO CONFORM TO SINGATRON HAZARDOUS SUBSTANCE FREE SPEC.
- GREEN PRODUCT IDENTIFICATION MARK ON JACK:
- GREEN PRODUCT IDENTIFICATION LABEL ON PACKAGING:
- FOR REFLOW SOLDERING LEAD-FREE PROCESS.
- PACKAGING: TAPE&REEL

NO	DESCRIPTION	QTY	MATERIAL	PLATING & COLOR
A	HOUSING	1	HIGH TEMP. THERMOPLASTIC UL 94V-0 (HALOGEN FREE)	BLACK
B	COVER	1		
C	SPRING(+)	1	COPPER ALLOY 0.3t	ALL OVER Ni 50u"
D	SPRING(-)	1	COPPER ALLOY 0.3t	ON CONTACT AREA: Sn 120u" (鍍錫) ALL OVER Ni 50u"
E	SIGNAL	1	COPPER ALLOY 0.3t	Pd/Ni 25u" Min + Au 5u" Min.
F	SHIELDING	1	COPPER ALLOY 0.35t	Ni 60 u" MIN.

UNLESS OTHERWISE SPECIFIED TOLERANCES

DECIMALS:	ANGLES:
X : $\pm 0.5$	X : $\pm 2^\circ$
X.X : $\pm 0.3$	X.X : $\pm 1'$
X.XX : $\pm 0.2$	

TITLE: DC POWER JACK  
 DWG: Danfeng  
 CHKD: TOM  
 APVD: MAX  
 SCALE 4:1 UNIT: mm  
 SIZE: A3 SHEET: 1 OF 1  
 REV: K  
 SINGATRON Enterprise Co., Ltd.  
 信登企業股份有限公司  
 PART NO. 20C-S060-004  
 CUSTOMER COPY