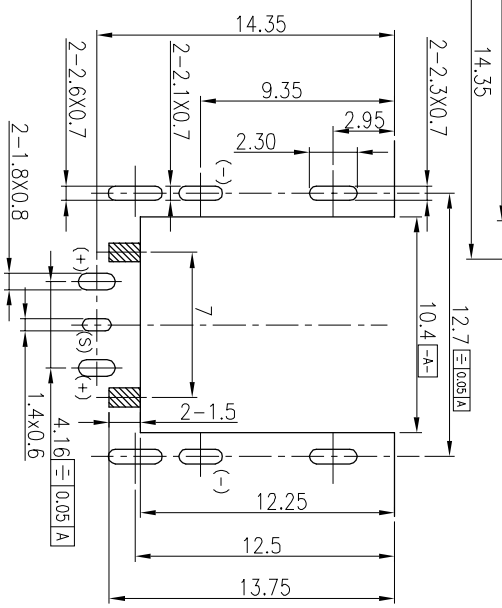
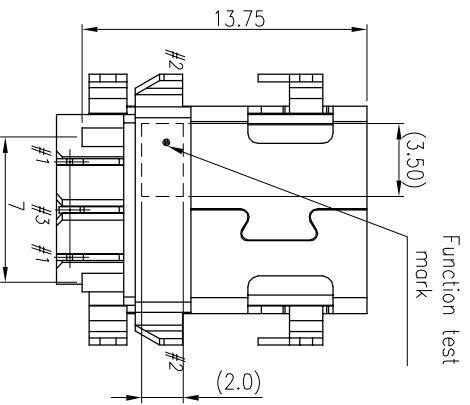
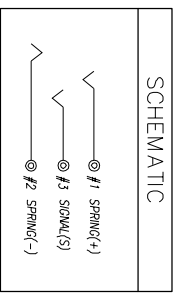
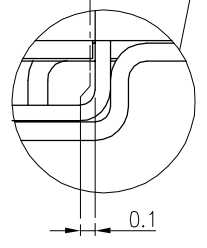
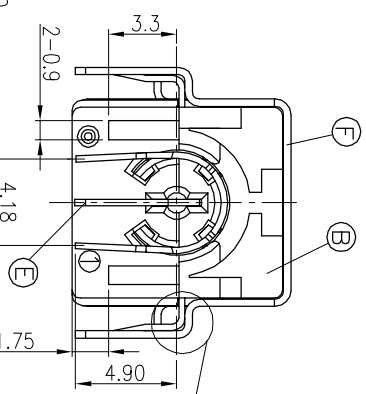
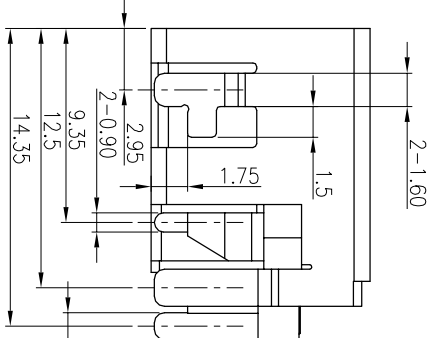
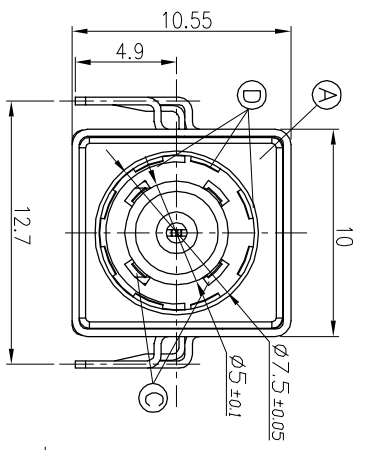


- SPECIFICATIONS:
- ELECTRICAL CHARACTERISTICS:
 - RATING: DC 42V 10A OR AC 30V 10A
 - CONTACT RESISTANCE: 30mΩ MAX.(INITIAL)
 - DIELECTRIC WITHSTANDING VOLTAGE: 150V DC FOR ONE MINUTE.
 - INSULATION RESISTANCE: 100MΩ MIN. MEASURED BY 500 VDC
 - MECHANICAL CHARACTERISTICS:
 - INSERTION FORCE : 3.0 KGF Max.
 - WITHDRAWAL FORCE : 0.35 KGF Min.
 - LIFE TEST: 5,000 CYCLES MIN.
 - OTHER GENERAL SPEC. TO REFER "2DC-S060-001 SPEC."
 - TO CONFORM TO SINGATRON HAZARDOUS SUBSTANCE FREE SPEC.
 - HALOGEN FREE PRODUCT IDENTIFICATION MARK ON JACK:
 - HALOGEN FREE PRODUCT IDENTIFICATION LABEL ON PACKAGING:
 - FOR REFLOW SOLDERING LEAD-FREE PROCESS.
 - PACKAGING: TAPE&REEL



RECOMMENDED P.C.B LAYOUT(t=1.2mm)
TOP VIEW (Tolerance:±0.05)

REV.	ECN NO OR DESCRIPTION	REVISED	DATE
D	ECN NO: S111139	SpringHong	2012.03.20
E	ECN NO: S120324	Angus	2012.05.31
F	ECN NO: S140212	SpringHong	2014.02.17
G	ECN NO: S141206	Ken	2014.12.16
H	ECN NO: S202104-R03	Qizhen	2021.05.07

F	SHIELDING	1	COPPER ALLOY 0.35t	NICKEL PLATING
E	SIGNAL	1	COPPER ALLOY 0.3t	GOLD FLASH ON CONTACT AREA, MATTI Sn 120u" ON SOLDER TAIL
D	SPRING(-)	1	COPPER ALLOY 0.3t	ALL OVER IN 50u"
C	SPRING(+)	1	COPPER ALLOY 0.3t	
B	COVER	1	HIGH TEMP. THERMOPLASTIC UL 94V-0 (HALOGEN FREE)	BLACK
A	HOUSING	1		
NO	DESCRIPTION	QTY	MATERIAL	PLATING & COLOR
UNLESS OTHERWISE SPECIFIED TOLERANCES				
Singatron Enterprise Co., Ltd. 信音企業股份有限公司				
TITLE: DC POWER JACK				
DWN	Qizhen	PART NO. 2DC-S060-014		
CHKD	Sky	SCALE 4:1 UNIT: mm		
APVD	Lussen	SIZE: A3 SHEET: 1 OF 1	REV: H	

CUSTOMER COPY