

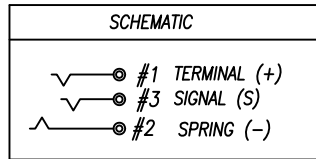
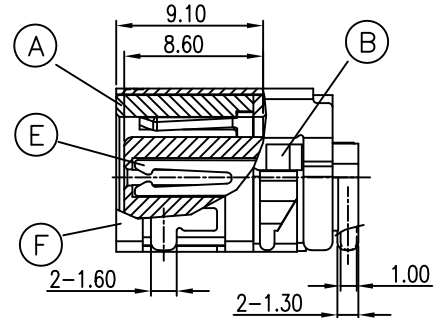
1 2 3 4 5 6 7 8

REV.	ECN NO OR DESCRIPTION	REVISED	DATE
A	PDR NO:T100527-2A	Sky	2011.01.13
B	ECN NO.:S110542	Soldier	2011.08.04

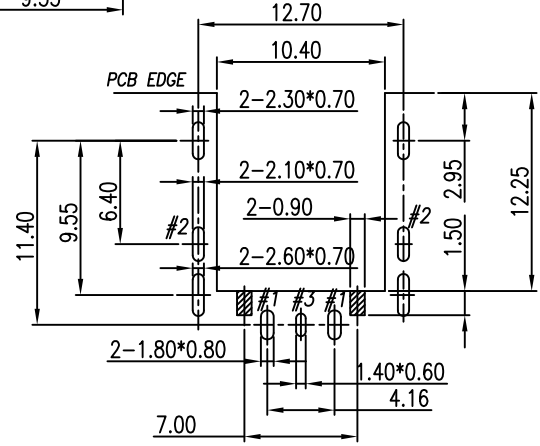
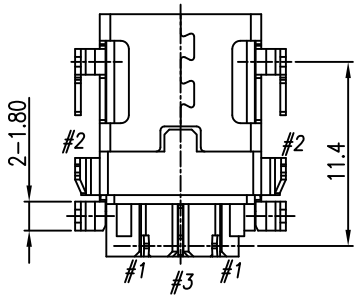
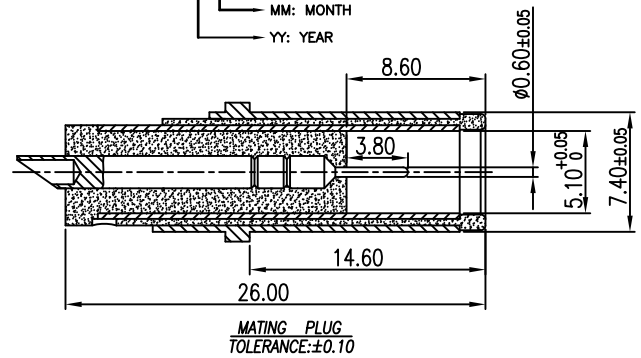
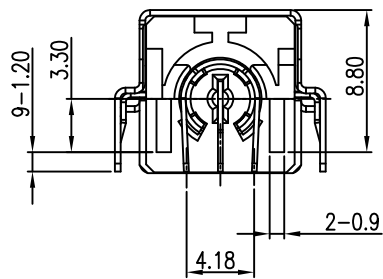
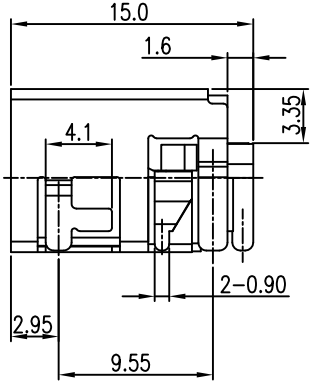
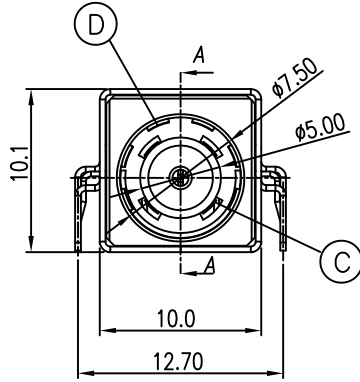
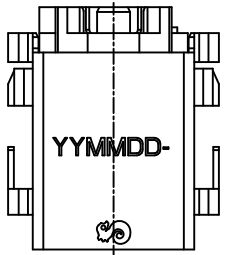
**SPECIFICATIONS:**

- ELECTRICAL CHARACTERISTICS:**
  - 1-1. RATING: DC 42V 10A OR AC 30V 10A.
  - 1-2. CONTACT RESISTANCE: 30mΩ MAX.(INITIAL)
  - 1-3. DIELECTRIC WITHSTANDING VOLTAGE: 250V AC FOR ONE MINUTE
  - 1-4. INSULATION RESISTANCE: 100MΩ MIN. MEASURED BY 500 VDC
- MECHANICAL CHARACTERISTICS:**
  - 2-1. INSERTION FORCE :3.0 KG Max.
  - 2-2. WITHDRAWAL FORCE : 0.3 KG Min.
- LIFE TEST: 5,000 CYCLES MIN.**
- TO CONFORM TO SINGATRON HAZARDOUS SUBSTANCE FREE SPEC.**
- HALOGEN FREE PRODUCT IDENTIFICATION MARK ON JACK:**
- HALOGEN FREE PRODUCT IDENTIFICATION LABEL ON PACKAGING:**
- FOR REFLOW SOLDERING LEAD-FREE PROCESS.**
- PRINTED DATE CODE "YYMMDD" ON TOP OF CONNECTOR.**

DD: DAY  
MM: MONTH  
YY: YEAR



SECTION A-A



RECOMMEND P.C.B LAYOUT TOP VIEW(TOLERANCES:±0.05)

NO	DESCRIPTION	QTY	MATERIAL	PLATING & COLOR
F	SHELL	1	BRASS; 0.35T	Ni 60u"
E	SIGNAL	1	COPPER ALLOY; 0.30T	Au 1u" Min. ON CONTACT AREA; Matt Sn 100u" ON SOLDER TAIL; ALL OVER Ni 60u"
D	SPRING(-)	1	COPPER ALLOY; 0.30T	Au 1u" Min. ON CONTACT AREA; Matt Sn 100u" ON SOLDER TAIL; ALL OVER Ni 60u"
C	SPRING(+)	1	COPPER ALLOY; 0.30T	Au 1u" Min. ON CONTACT AREA; Matt Sn 100u" ON SOLDER TAIL; ALL OVER Ni 60u"
B	COVER	1	HIGH THERMOPLASTIC TEMP. UL 94V-0	BLACK
A	BODY	1	HIGH THERMOPLASTIC TEMP. UL 94V-0	BLACK

UNLESS OTHERWISE SPECIFIED TOLERANCES		Singatron Enterprise Co., Ltd. 信音企業股份有限公司		
DECIMALS:	ANGLES:	TITLE	DC JACK	
X : ±0.5	X : ±2°	DWN Soldier	PART NO.2DC-S060-016	
X.X : ±0.3	X.X : ±1°	CHKD Tom	SCALE:4:1	UNIT: mm
X.XX : ±0.2		APVD Tony	SIZE: A3	SHEET:1 OF 1 REV:B
<b>CUSTOMER COPY</b>				

1 2 3 4 5 6 7 8