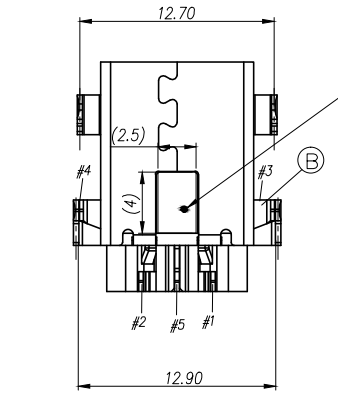
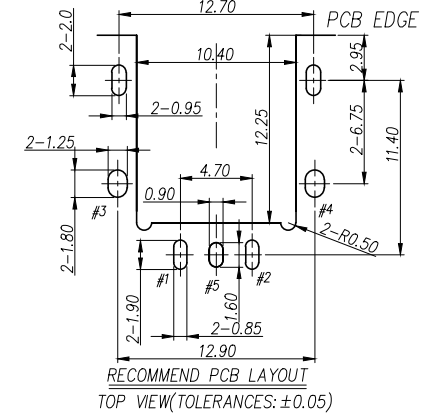
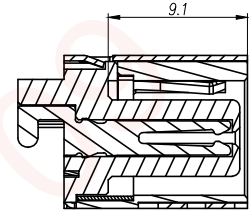
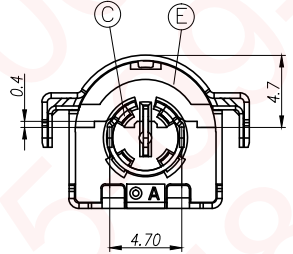
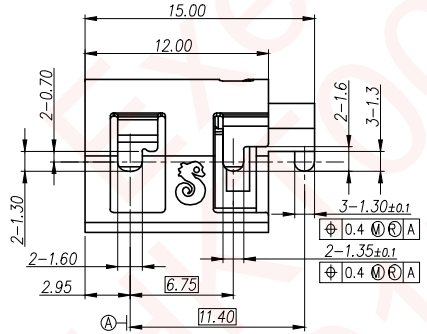
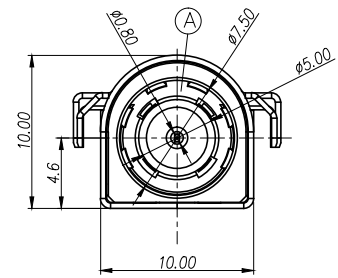
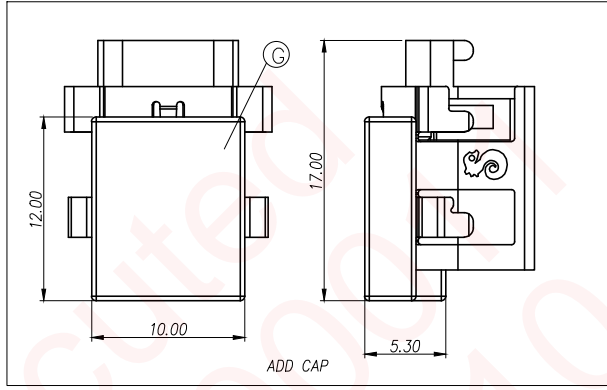
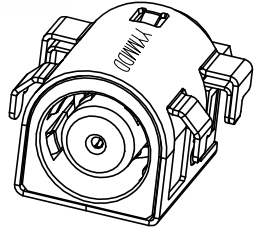
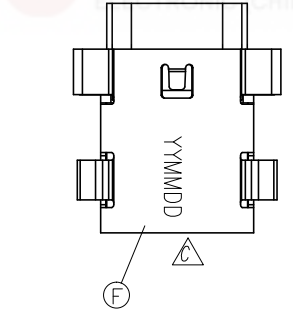


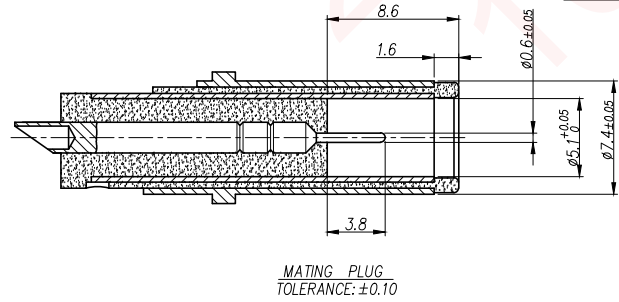
REV.	ECN NO OR DESCRIPTION	REVISED	DATE
A	PDR NO.T120322-7A	QIANG	2012.06.29
B	ECN NO:S120867	SEAN	2012.10.09
C	ECN NO:S150645-E	YUREN	2015.09.06

SPECIFICATIONS:

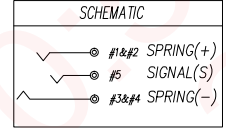
- ELECTRICAL CHARACTERISTICS:
 - 1-1.RATING:DC 20 V 10 A MAX.
 - 1-2.CONTACT RESISTANCE: 30 mΩ MAX.(INITIAL)
 - 1-3.DIELECTRIC WITHSTANDING VOLTAGE: 500 V AC FOR ONE MINUTE.
 - 1-4.INSULATION RESISTANCE: 100MΩ MIN. MEASURED BY 500 V DC.
- MECHANICAL CHARACTERISTICS:
 - 2-1.INSERTION FORCE: 3.0 Kg MAX.
 - 2-2.WITHDRAWAL FORCE: 0.3 Kg~3.0 Kg
- LIFE TEST:5000 CYCLES MIN.
- OTHER GENERAL SPEC. TO REFER "2DC-S060-023F SPEC".
- TO CONFORM TO SINGATRON HAZARDOUS SUBSTANCE FREE SPEC.
- HALOGEN FREE PRODUCT IDENTIFICATION MARK ON JACK:
- HALOGEN FREE PRODUCT IDENTIFICATION LABEL ON PACKAGING:



Function test mark : visible
 Ø0.4MAX,Depth 0.35MAX



MATING PLUG
 TOLERANCE: ±0.10



NO	DESCRIPTION	QTY	MATERIAL	PLATING & COLOR
G	CAP	1	THERMOPLASTIC ,UL94V-0	BLACK
F	SHELL	1	COPPER ALLOY 0.35T	Ni 60u"
E	COVER	1	HIGH TEMP. THERMOPLASTIC ,UL94V-0	BLACK
D	SIGNAL	1	COPPER ALLOY 0.3T	Pd/Ni(30u"Min.)&Au(5u"Min.)ON CONTACT AREA
C	CONTACT	1	COPPER ALLOY 0.3T	MATTE Sn 120u"ON SOLDER TAIL
B	TIP SPRING	1	COPPER ALLOY 0.25T	ALL OVER Ni 50u"
A	BODY	1	HIGH TEMP. THERMOPLASTIC ,UL94V-0	BLACK

UNLESS OTHERWISE SPECIFIED TOLERANCES

Singatron Enterprise Co., Ltd.
 信音企業股份有限公司

DECIMALS:	ANGLES:	TITLE	DC POWER JACK	
X : ±0.5	X : ±2°	DWN	YUREN	PART NO. 2DC-S060-023F
X.X : ±0.3	X.X : ±1°	CHKD	CERRY	SCALE 4:1 UNIT: mm
X.XX : ±0.2		APVD	LIAO	SIZE: A3 SHEET: 1 OF 1 REV: C
CUSTOMER COPY				