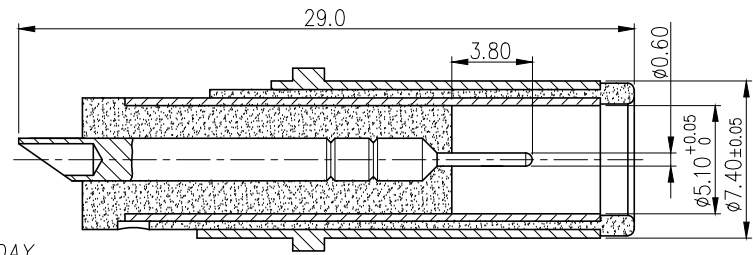
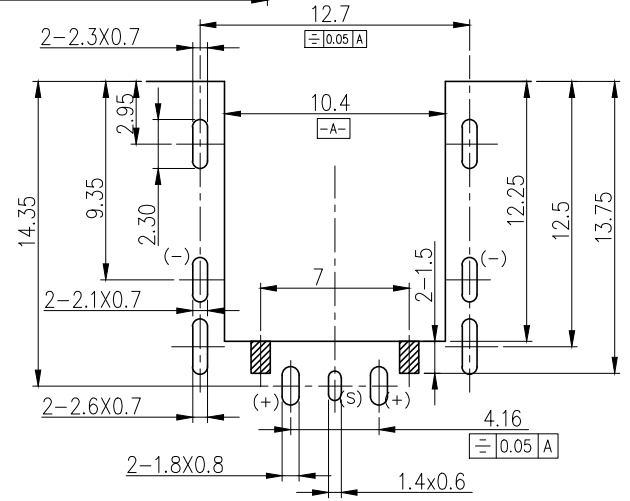
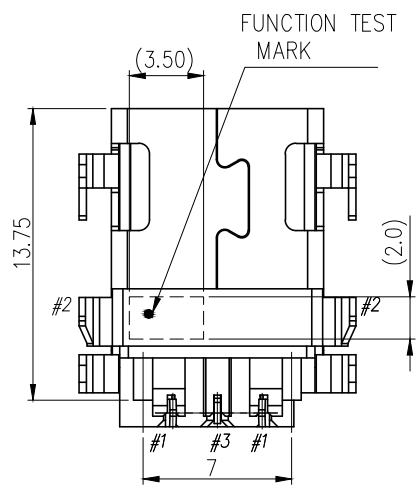
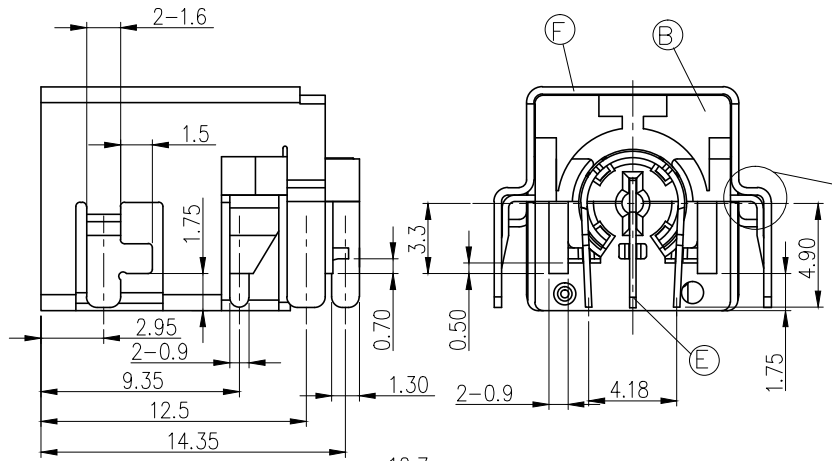
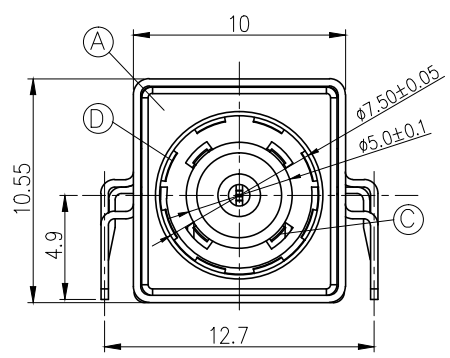


YYMMDD  
 DD: DAY  
 MM: MONTH  
 YY: YEAR



MATING PLUG:  $\phi 7.4 \times \phi 5.1 \times P 0.6 \times 29.0 L$   
 (TOLERANCE  $\pm 0.05$ )

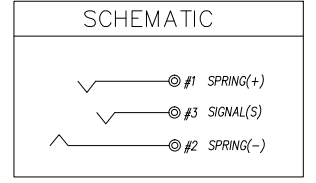


RECOMMENDED P.C.B LAYOUT (t=1.2mm)  
 TOP VIEW (Tolerance:  $\pm 0.05$ )

REV.	ECN NO OR DESCRIPTION	REVISED	DATE
A	PDR NO: T130128-2A	Yang	2013.07.04
B	ECN NO: S130812	SEAN	2014.11.14
C	ECN NO: S202106-E11	Ken	2021.08.09

SPECIFICATIONS:

- ELECTRICAL CHARACTERISTICS:
  - RATING: DC 42V 10A OR AC 30V 10A
  - CONTACT RESISTANCE: 30mΩ MAX.(INITIAL)
  - DIELECTRIC WITHSTANDING VOLTAGE: 150V DC FOR ONE MINUTE.
  - INSULATION RESISTANCE: 100MΩ MIN. MEASURED BY 500 VDC
- MECHANICAL CHARACTERISTICS:
  - INSERTION FORCE : 3.0 KGF Max.
  - WITHDRAWAL FORCE : 0.35 KGF Min.
- LIFE TEST: 5,000 CYCLES MIN.
- OTHER GENERAL SPEC. TO REFER "2DC-S060-025F SPEC".
- TO CONFORM TO SINGATRON HAZARDOUS SUBSTANCE FREE SPEC.
- HALOGEN FREE PRODUCT IDENTIFICATION MARK ON JACK:
- HALOGEN FREE PRODUCT IDENTIFICATION LABEL ON PACKAGING:
- FOR REFLOW SOLDERING LEAD-FREE PROCESS.
- PACKAGING: TAPE&REEL



NO	DESCRIPTION	QTY	MATERIAL	PLATING & COLOR
F	SHIELDING	1	COPPER ALLOY 0.35T	Ni 60u"Min
E	SIGNAL	1	COPPER ALLOY 0.3T	GOLD FLASH OVER Ni 50u"
D	SPRING(-)	1	COPPER ALLOY 0.3T	GOLD FLASH ON CONTACT AREAS; OVER Ni 50u"
C	SPRING(+)	1	COPPER ALLOY 0.3T	GOLD FLASH OVER Ni 50u"
B	COVER	1	HIGH TEMP. THERMOPLASTIC UL 94V-0 (HALOGEN FREE)	BLACK
A	HOUSING	1		
UNLESS OTHERWISE SPECIFIED TOLERANCES		Singatron Enterprise Co., Ltd. 信音企業股份有限公司		
DECIMALS: ANGLES:		TITLE: DC POWER JACK		
X	: $\pm 0.5$	X	: $\pm 2^\circ$	DWN ken PART NO. 2DC-S060-025F
X.X	: $\pm 0.3$	X.X	: $\pm 1^\circ$	CHKD SCALE 4:1 UNIT: mm
X.XX	: $\pm 0.2$	APVD lussen	SIZE: A3	SHEET: 1 OF 1 REV: C
CUSTOMER COPY				