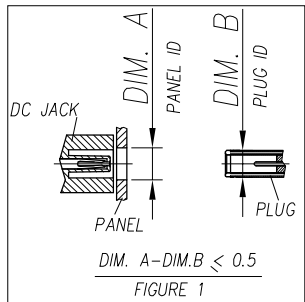
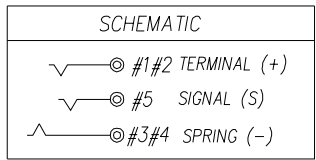
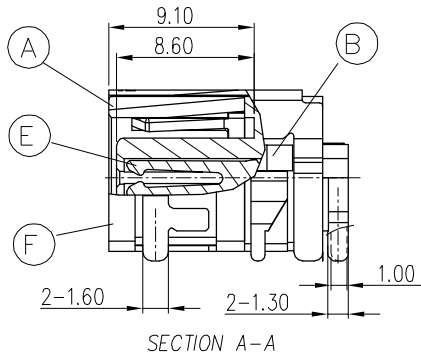
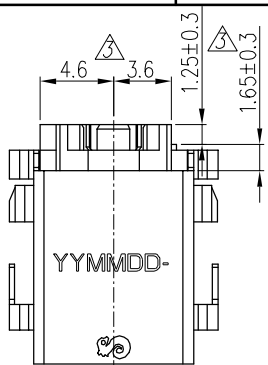
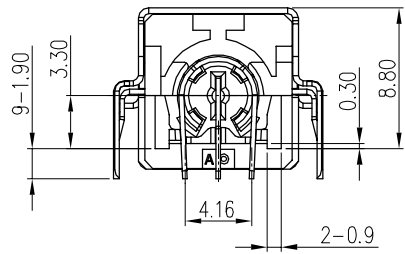
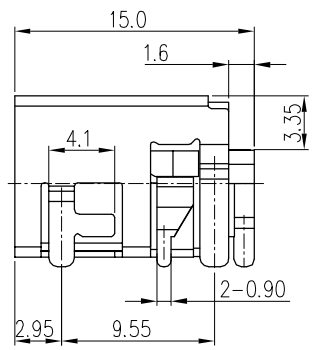
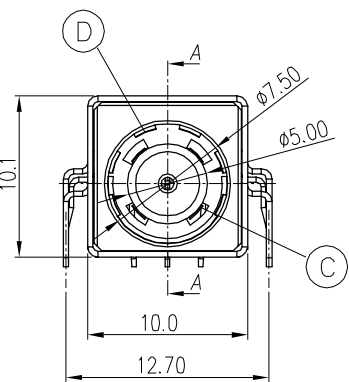
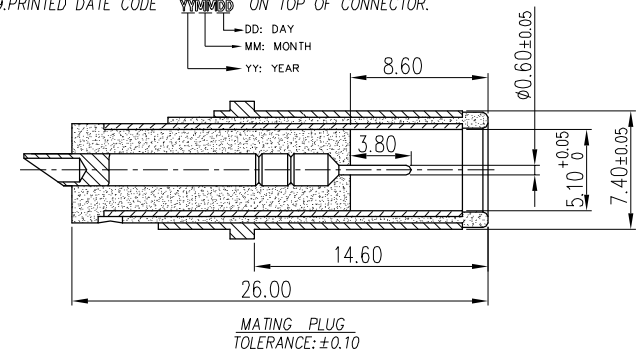


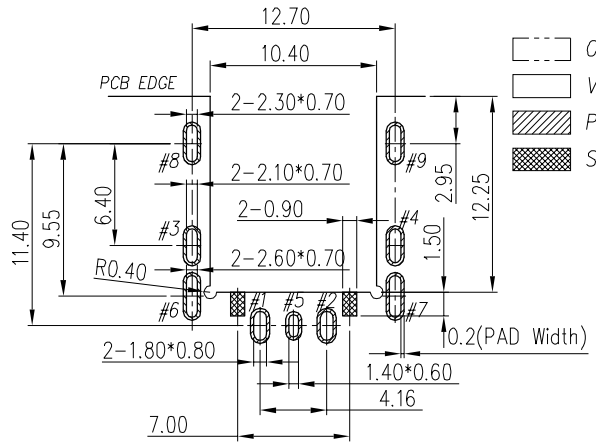
REV.	ECN NO OR DESCRIPTION	REVISED	DATE
A	PDR NO:T210917-1A	Xuehua	2022.3.14



- SPECIFICATIONS:
- ELECTRICAL CHARACTERISTICS:
    - 1-1. RATING: DC 42V 10A OR AC 30V 10A.
    - 1-2. CONTACT RESISTANCE: 30mΩ MAX.(INITIAL)
    - 1-3. DIELECTRIC WITHSTANDING VOLTAGE: 250V AC FOR ONE MINUTE
    - 1-4. INSULATION RESISTANCE: 100MΩ MIN. MEASURED BY 500 VDC
  - MECHANICAL CHARACTERISTICS:
    - 2-1. INSERTION FORCE :3.0 KG Max.
    - 2-2. WITHDRAWAL FORCE : 0.3 KG Min.
  - LIFE TEST: 5,000 CYCLES MIN.
  - TO CONFORM TO SINGATRON HAZARDOUS SUBSTANCE FREE SPEC.
  - HALOGEN FREE PRODUCT IDENTIFICATION MARK ON JACK: ⊙
  - HALOGEN FREE PRODUCT IDENTIFICATION LABEL ON PACKAGING:
  - FOR REFLOW SOLDERING LEAD-FREE PROCESS.
  - THE PANEL'S ID MUST BE GREATER THAN THE PLUG'S OD WHICH MUST HAVE A DIFFERENCE OF LESS THAN OR EQUAL TO 0.5 mm.(AS SHOWN IN FIGURE 1.)
  - PRINTED DATE CODE" YYMMDD" ON TOP OF CONNECTOR.



- OTHER COMPONENT KEEPOUT AREA
- VIA AND TRACR KEEPOUT AREA
- PAD AREA
- STAND OFF AREA (禁止操作)



RECOMMEND P.C.B LAYOUT  
TOP VIEW(TOLERANCES: ±0.05)

F	SHELL	1	BRASS; 0.35T	Black Ni 60u" Min.
E	SIGNAL	1	COPPER ALLOY; 0.30T	Au 30u" Min. ON CONTACT AREA;
D	SPRING(-)	1	COPPER ALLOY; 0.30T	Matte Sn 100u" ON SOLDER TAIL;
C	SPRING(+)	1	COPPER ALLOY; 0.30T	ALL OVER Ni 60u"
B	COVER	1	HIGH THERMOPLASTIC TEMP. UL 94V-0	BLACK
A	BODY	1	HIGH THERMOPLASTIC TEMP. UL 94V-0	BLACK
NO	DESCRIPTION	QTY	MATERIAL	PLATING & COLOR

UNLESS OTHERWISE SPECIFIED TOLERANCES

Singatron Enterprise Co., Ltd.  
信音企業股份有限公司

DECIMALS:	ANGLES:	TITLE	DC JACK	
X : ±0.5	X : ±2°	DWN Xuehua	PART NO.2DC-S060-033F	
X.X : ±0.3	X.X : ±1°	CHKD Lussen	SCALE: 4:1	UNIT: mm
X.XX : ±0.2		APVD Liao	SIZE: A3	SHEET: 1 OF 1

CUSTOMER COPY