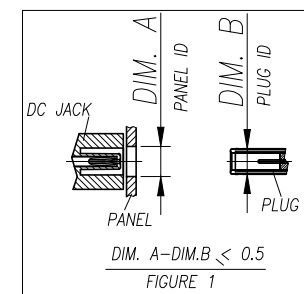
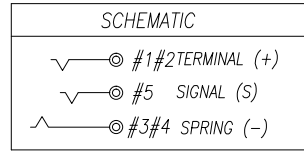
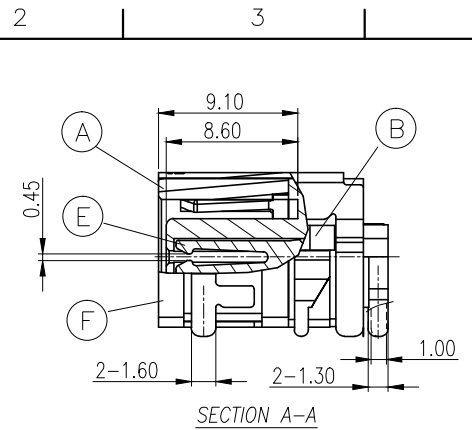
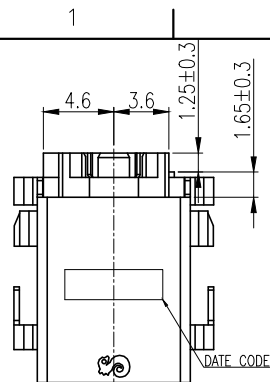
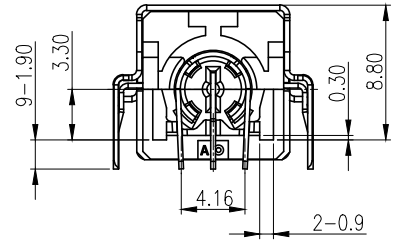
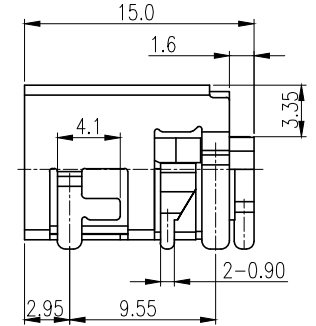
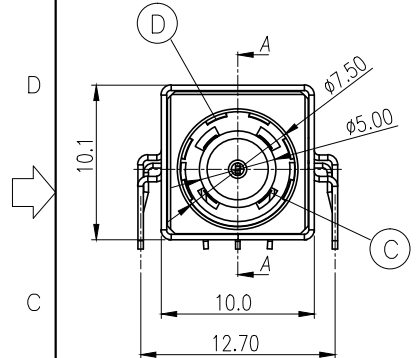
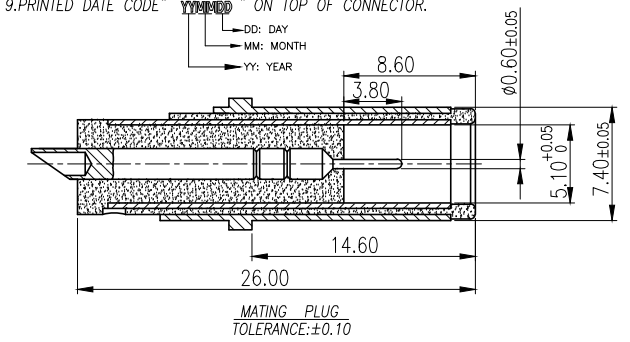


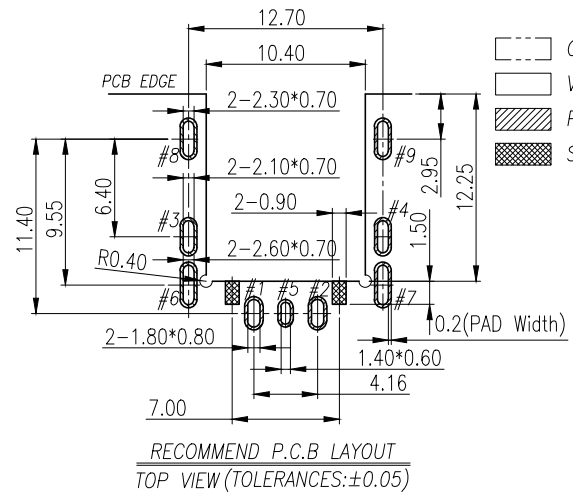
REV.	ECN NO OR DESCRIPTION	REVISED	DATE
A	PDR NO:T230308-1A	Yizhou	2024.01.19



- SPECIFICATIONS:**
- ELECTRICAL CHARACTERISTICS:**
 - 1-1. RATING: DC 42V 12A OR AC 30V 12A.
 - 1-2. CONTACT RESISTANCE: 30mΩ MAX.(INITIAL)
 - 1-3. DIELECTRIC WITHSTANDING VOLTAGE: 250V AC FOR ONE MINUTE
 - 1-4. INSULATION RESISTANCE: 100MΩ MIN. MEASURED BY 500 VDC
 - MECHANICAL CHARACTERISTICS:**
 - 2-1. INSERTION FORCE :3.0 KG Max.
 - 2-2. WITHDRAWAL FORCE : 0.3 KG Min.
 - LIFE TEST: 5,000 CYCLES MIN.**
 - TO CONFORM TO SINGATRON HAZARDOUS SUBSTANCE FREE SPEC.**
 - HALOGEN FREE PRODUCT IDENTIFICATION MARK ON JACK:**
 - HALOGEN FREE PRODUCT IDENTIFICATION LABEL ON PACKAGING:**
 - FOR REFLOW SOLDERING LEAD-FREE PROCESS.**
 - THE PANEL'S ID MUST BE GREATER THAN THE PLUG'S OD WHICH MUST HAVE A DIFFERENCE OF LESS THAN OR EQUAL TO 0.5 mm.(AS SHOWN IN FIGURE 1.)**
 - PRINTED DATE CODE "YYMMDD" ON TOP OF CONNECTOR.**
 - DD: DAY
 - MM: MONTH
 - YY: YEAR



- OTHER COMPONENT KEEPOUT AREA
- VIA AND TRACR KEEPOUT AREA
- PAD AREA
- STAND OFF AREA (禁止零件)



F	SHELL	1	BRASS; 0.35T	Ni 60u" Min.
E	SIGNAL	1	C5191-H 0.30T	Au 30u" Min. ON CONTACT AREA; Matte Sn 100u" ON SOLDER TAIL;
D	SPRING(-)	1	C7035; 0.30T	ALL OVER Ni 60u"
C	SPRING(+)	1	C7035; 0.30T	
B	COVER	1	HIGH THERMOPLASTIC TEMP. UL 94V-0	BLACK
A	BODY	1	HIGH THERMOPLASTIC TEMP. UL 94V-0	BLACK
NO	DESCRIPTION	QTY	MATERIAL	PLATING & COLOR
UNLESS OTHERWISE SPECIFIED TOLERANCES		Singatron Enterprise Co., Ltd. 信音企業股份有限公司		
DECIMALS:		TITLE		
X	:±0.5	DC JACK		
X.X	:±0.3	DWN Yizhou PART NO.2DC-S060-035F		
X.XX	:±0.2	CHKD Boye SCALE:4:1 UNIT: mm		
		APVD Liao SIZE: A3 SHEET:1 OF 1 REV:A		
CUSTOMER COPY				