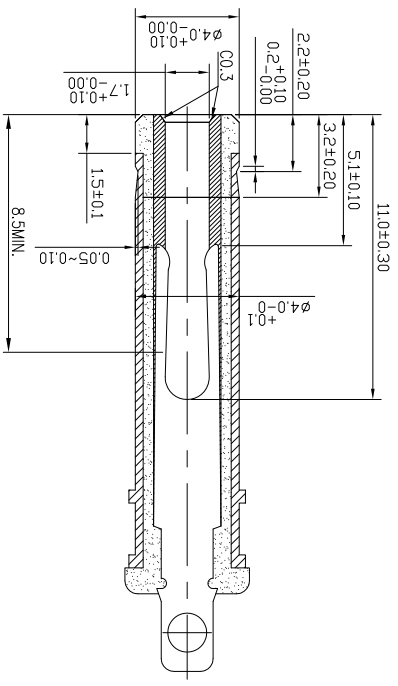
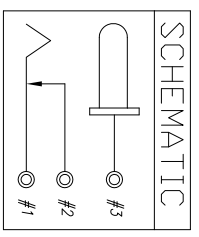
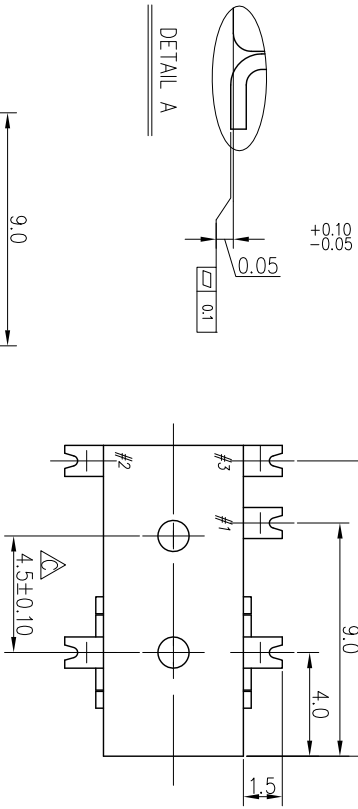


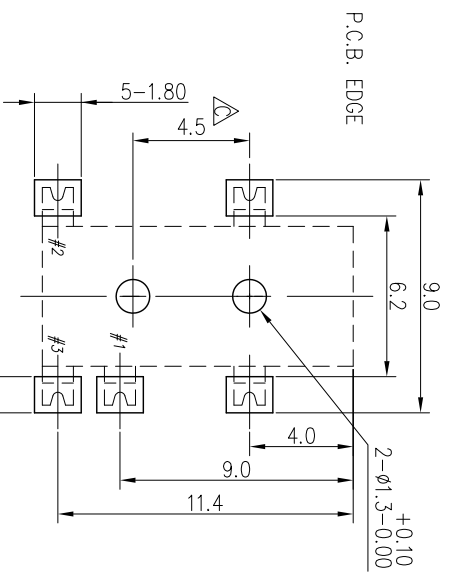
DATE CODE: _____

NOTE:

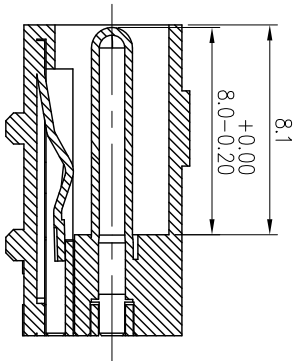
- 1.RATING: DC 6.3V 2A.
- 2.CONTACT RESISTANCE: 30mΩ MAX.
- 3.INSULATION RESISTANCE: 100MΩ MIN. AT DC 500V.
- 4.DIELECTRIC STRENGTH: AC 500V FOR 1 MINUTE.
- 5.INSERTION FORCE: 2KG MAX.
- 6.LIFE: 12000 CYCLES.
- 7.SOLDER HEAT RESISTANCE: WAVE SOLDERING 260°C 10SECS.
- 8.TO CONFORM TO SINGATRON HAZARDOUS SUBSTANCE FREE SPEC.
- 9.MATING PLUG TO SINGATRON P/N: ZDP1509-000111
- 10.GREEN PRODUCT IDENTIFICATION MARK ON JACK
- 11.GREEN PRODUCT IDENTIFICATION LABEL ON PACKAGING
- 12.FOR LEAD-FREE PROCESS.
- 13.PACKING: TAPE & REEL



MATING PLUG



SECTION B-B



Recommended Pads Layout
TOP View (Tolerance ±0.05)

REV.	ECN NO.	OR DESCRIPTION	REVISED	DATE
B	ECN NO.1080203		Victor	2008-10-31
C	ECN NO.1080216		Victor	2009-02-06
D	ECN:0150010	MODIFY PLATING	CHEN	2015-02-05

NO	DESCRIPTION	QTY	MATERIAL	PLATING & COLOR
①	CONTACT PIN	1	BRASS 0.3t	Ag 200*Min, Ni 200*Min.
②	SHIELDING	1	BRASS 0.3t	Ni 60u*Min.
③	SHUNT TERMINAL	1	BRASS 0.3t	Ag 200*Min, Ni 200*Min.
④	TIP SPRING	1	COPPER ALLOY 0.3t	Ag 200*Min, Ni 200*Min.
⑤	BODY	1	HIGH TEMP THERMOPLASTIC UL 94V-0	BLACK COLOR

UNLESS OTHERWISE SPECIFIED TOLERANCES

DECIMALS: ANGLES:

X : ±0.5 X : ±2°
 X.X : ±0.3 X.X : ±1°
 X.XX : ±0.2

TITLE: DC POWER JACK

DRAWN: 15/2/10 PART NO. 2DC-S061-101
 CHECKED: 15/2/10 SCALE: 5/1 UNIT: mm
 APVD: 15/2/10 SIZE: A3 SHEET: 1 OF 1 REV: D

Singatron Enterprise Co., Ltd.
 信登企業股份有限公司

CUSTOMER COPY