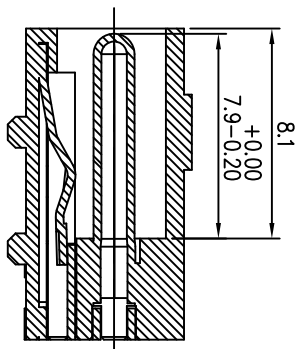
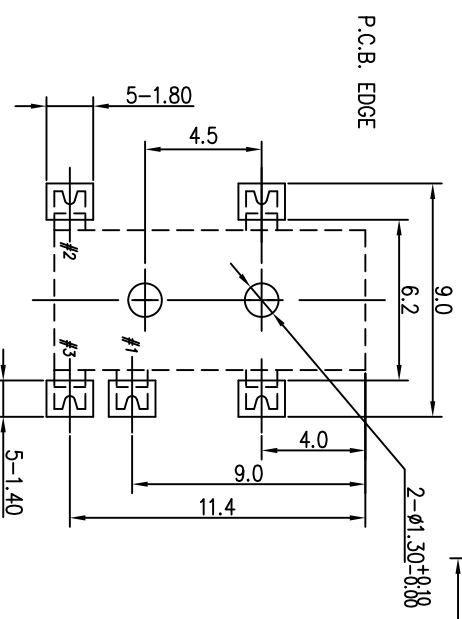
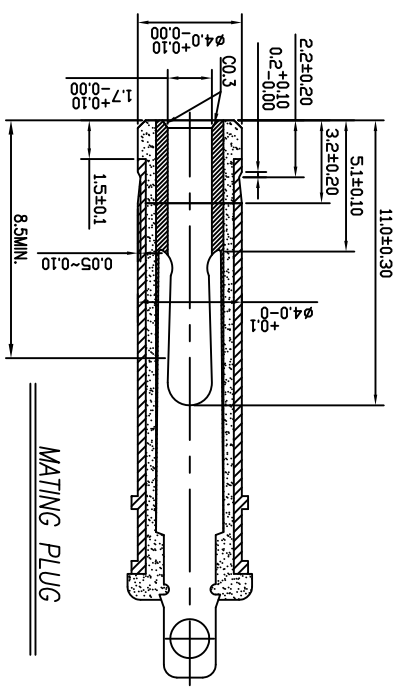
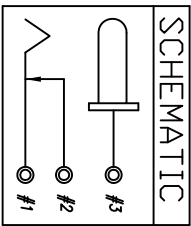
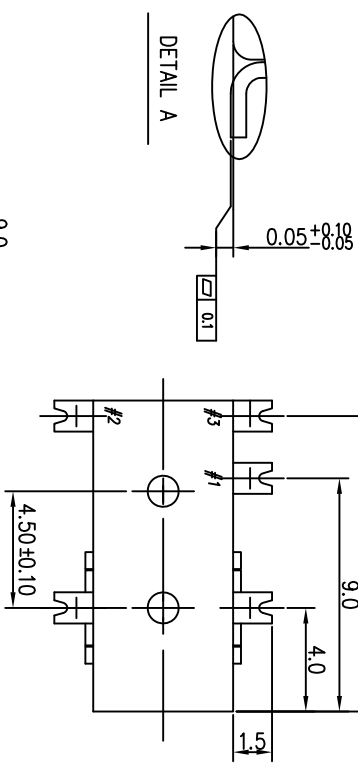
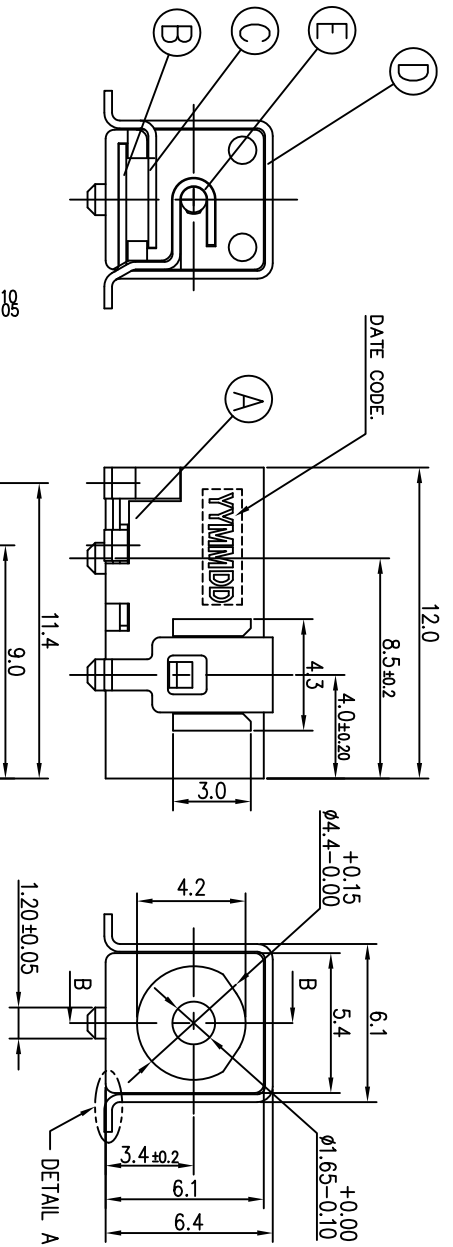


REV.	ECN NO.	OR DESCRIPTION	REVISED	DATE
A	PDR NO. T100326-2A	BILL	2010-04-07	

- NOTE:
1. RATING: DC 6.3V 2A.
  2. CONTACT RESISTANCE: 30mΩ MAX.
  3. INSULATION RESISTANCE: 100MΩ MIN. AT DC 500V.
  4. DIELECTRIC STRENGTH: AC 500V FOR 1 MINUTE.
  5. INSERTION FORCE: 2KG MAX.
  6. WITHDRAWAL FORCE: 0.5KG-1.5KG.
  7. SOLDER HEAT RESISTANCE: WAVE SOLDERING 260°C 10SECS.
  8. TO CONFORM TO SINGATRON HAZARDOUS SUBSTANCE FREE SPEC.
  9. MATING PLUG TO SINGATRON P/N: ZDP1509-000121
  10. GREEN PRODUCT IDENTIFICATION MARK ON JACK:
  11. GREEN PRODUCT IDENTIFICATION LABEL ON PACKAGING:
  12. FOR LEAD-FREE PROCESS.
  13. PACKING: TAPE & REEL



NO.	DESCRIPTION	QTY	MATERIAL	PLATING & COLOR
⑤	CONTACT PIN	1	COPPER ALLOY 0.3t	SILVER PLATING
④	SHIELDING	1	COPPER ALLOY 0.3t	NICKEL PLATING
③	SHUNT TERMINAL	1	COPPER ALLOY 0.3t	SILVER PLATING
②	TIP SPRING	1	COPPER ALLOY 0.3t	SILVER PLATING
①	BODY	1	HIGH TEMP.THERMOPLASTIC UL94V-0	BLACK COLOR

UNLESS OTHERWISE SPECIFIED TOLERANCES

Singatron Enterprise Co., Ltd.  
信登企業股份有限公司

DECIMALS:	ANGLES:	TITLE
X : ±0.3	X : ±1°	DC POWER JACK
XX : ±0.2	X.X : ±0.5°	
X.XX : ±0.1		
X.XXX : ±0.05		

Recommended Pads Layout  
TOP View (Tolerance ±0.05)

SECTION B-B

CUSTOMER COPY