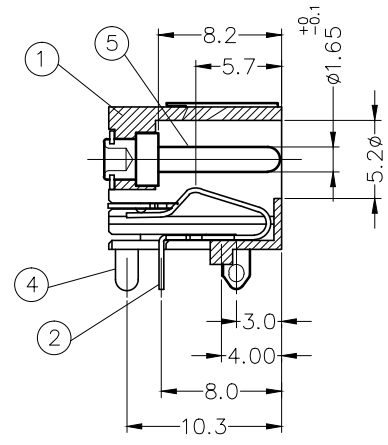
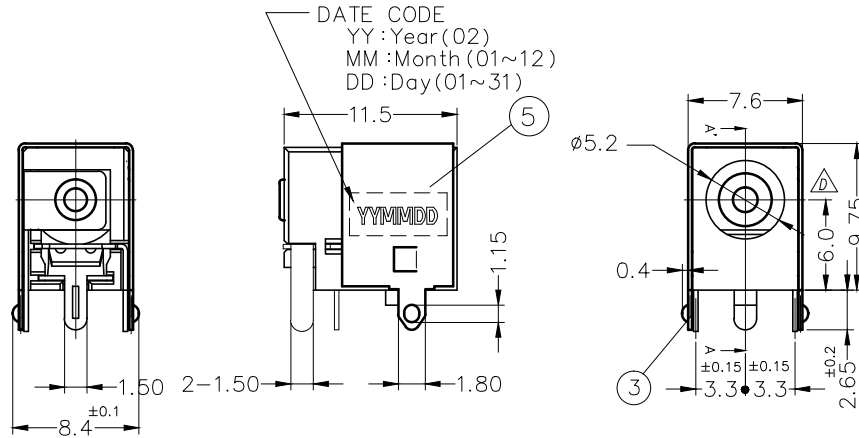


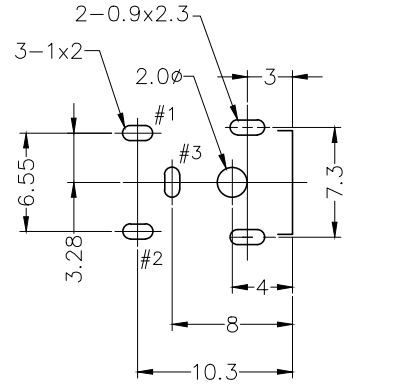
REV.	ECN NO OR DESCRIPTION	REVISED	DATE
C	ECN NO: 920008	EVEN	2005.10.25
D	ECN NO: S171132-C	YUREN	2017.12.8

SPECIFICATIONS:

- 1.RATING: DC 20V 5A
- 2.INSERTION FORCE: 0.4KG-3.0KG
WITHDRAWAL FORCE: 0.4KG-3.0KG
- 3.INSULATION RESISTANCE BETWEEN ANY ADJACENT TERMINALS SHALL NOT BE LESS THAN 100 MEGOHMS BY 500 VOLTS MEGGER.
- 4.JACK SHALL WITHSTAND 250 VOLTS BETWEEN ANY ADJACENT TERMINAL FOR ONE MINUTE.
- 5.CONTACT RESISTANCE SHALL NOT EXCEED 0.03 OHMS.
- 6.JACK SHALL WITHSTAND 5,000 CYCLES OF INSERTION AND WITHDRAWAL WITH TESTING PLUG,AND CONTACT RESISTANCE SHALL NOT EXCEED 0.1 OHMS.
- 7.MEASURING CONDITION:
TEMPERATURE: FROM 5°C TO 35°C.
RELATIVE HUMIDITY: FROM 40% TO 85%
- 8.ENVIRONMENTAL SPECIFICATIONS:
8.1 HUMIDITY TEST: HUMIDITY 90% TO 95% TEMPERATURE 40°C ± 2°C FOR 96 HOURS.
8.2 HEAT TEST: TEMPERATURE 70°C ± 2°C (HUMIDITY BELOW 50%) FOR 96 HOURS.
8.3 COLD TEST: TEMPERATURE -40°C ± 2°C FOR 96 HOURS.
- 9.SOLDERABILITY TEST: THE TERMINATION IS AT LEAST 95% COVERED BY A CONTINUOUS NEW SOLDER COATING.
TEST CONDITION: DIP IN MOLTEN SOLDER FOR 5 Sec. AT 245±5°C (TERMINATION SHALL BE IMMERSSED IN FLUX BEFORE TEST)
- 10.PACKING: TAPE & REEL
11. SOLDER HEAT RESISTANCE: 260°C 10 SECS.
12. TO CONFORM TO THE "SE-01-001" & "ROHS DIRECTIVE"
13. GREEN PRODUCT IDENTIFICATION MARK IN JACK:
14. GREEN PRODUCT IDENTIFICATION LABEL IN PACKING:
15. FOR LEAD-FREE PROCESS.

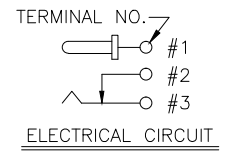


A-A' SECTION

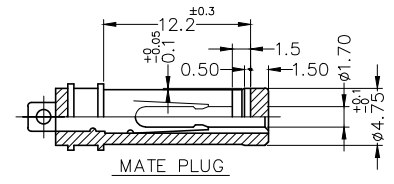


RECOMMENDED P.C.B LAYOUT

SOLDER SIDE
(TOLERANCE: ±0.05)



ELECTRICAL CIRCUIT



MATE PLUG

NO	DESCRIPTION	QTY	MATERIAL	PLATING & COLOR
6	SHIELDING	1	BRASS STRIP 0.25t	TIN PLATING
5	PIN	1	BRASS BAR	NICKEL PLATING
4	TERMINAL	1	BRASS STRIP 0.3t	SILVER PLATING
3	SHUNT TERMINAL	1	BRASS STRIP 0.3t	SILVER PLATING
2	TIP SPRING	1	COPPER ALLOY 0.3t	SILVER PLATING
1	BODY	1	HIGH TEMP. THERMOPLASTIC UL 94V-0	GRAY(425C) COLOR

UNLESS OTHERWISE SPECIFIED TOLERANCES		SINGATRON ENTERPRISE CO., LTD. 信音企業股份有限公司	
DECIMALS:	ANGLES:	TITLE	DC POWER JACK
X :±0.5	X :±2°	DWN	YUREN PART NO. 2DC-S0A6I200
X.X :±0.3	X.X :±1°	CHKD	SKY SCALE:3/1 UNIT: mm
X.XX :±0.2		APVD	LUSSSEN SIZE: A3 SHEET:1 OF 1 REV:D
CUSTOMER COPY			