
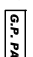
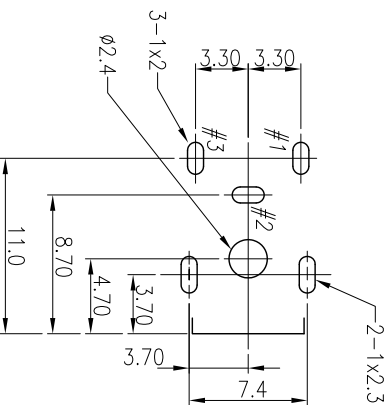
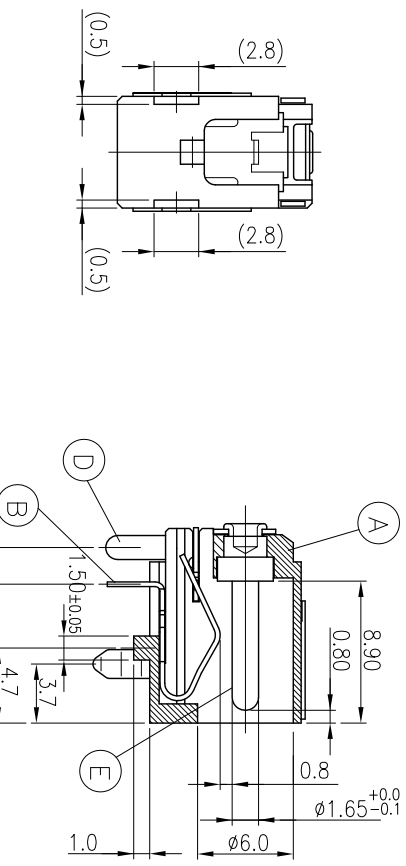
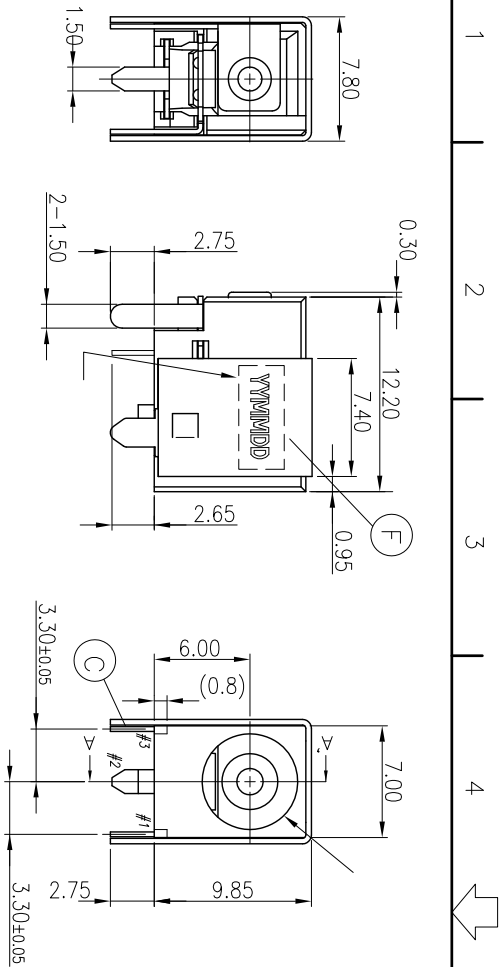


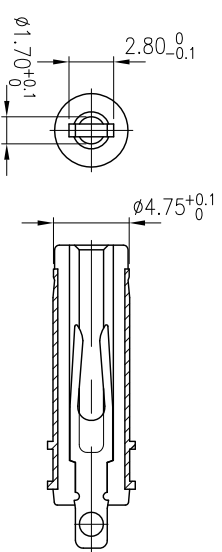
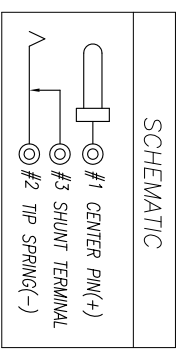
REV.	ECN NO	OR DESCRIPTION	REVISED	DATE
D	ECN NO: T080170		Angela	2008.08.18
E	ECN NO: S100201		Soldier	2010.02.23
F	ECN NO: S110759		SPRING	2011.07.29

SPECIFICATIONS:

1. RATING : DC 24V 2A.
2. PACKAGING: TAPE REEL PACKAGED.
3. SPECIFICATIONS : SEE " DC. POWER JACK SPECIFICATIONS "
4. TO CONFORM TO SINGATRON HAZARDOUS SUBSTANCE SPEC.
5. GREEN PRODUCT IDENTIFICATION MARK ON JACK: 
6. GREEN PRODUCT IDENTIFICATION LABEL ON PACKAGING: 
7. FOR REFLOW SOLDERING LEAD-FREE PROCESS.



RECOMMENDED P.C.B LAYOUT(t=2.0mm)
TOP VIEW (Tolerance:±0.05)



NO	DESCRIPTION	QTY	MATERIAL	PLATING & COLOR
F	SHIELDING	1	BRASS TRIP 0.35t	
E	PIN	1	BRASS BAR	Ni: 60u" Min
D	TERMINAL	1	BRASS STRIP 0.3t	Ag 20u" Min
C	SHUNT TERMINAL	1	BRASS STRIP 0.3t	Ag 20u" Min
B	TIP SPRING	1	COPPER ALLOY 0.3t	Ag 20u" Min
A	BODY	1	HIGH TEMP THERMOPLASTIC UL 94V-0	BLACK

UNLESS OTHERWISE SPECIFIED TOLERANCES

DECIMALS: ANGLES:

X : ±0.5 X : ±2°
X.X : ±0.3 X.X : ±1°
X.XX : ±0.2

DC POWER JACK

Singatron Enterprise Co., Ltd.
信音企業股份有限公司

SPRING PART NO. 2DC-S106-106
SCALE: 3/1 UNIT: mm
SIZE: A3 SHEET: 1 OF 1 REV: F

CUSTOMER COPY