

REV.	ECN NO.	OR DESCRIPTION	REVISED	DATE
A	PDR NO.1100108-3A/3B		BILL	2010.04.24
B	ECN: C140262	MODIFY DRAWING	CAOCHEN	2014.12.03

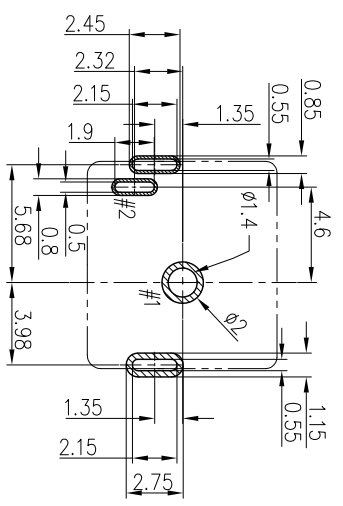
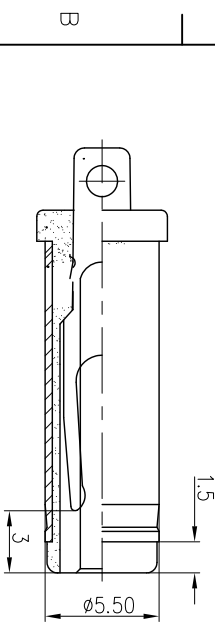
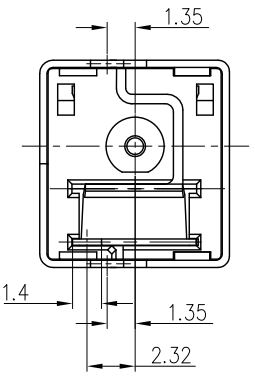
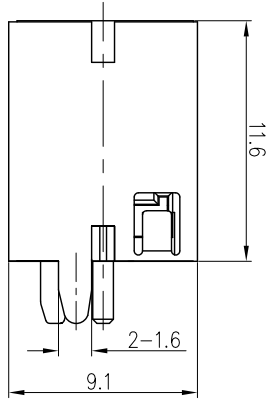
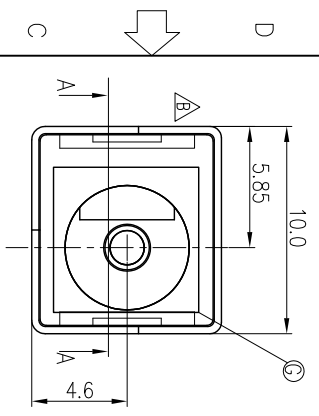
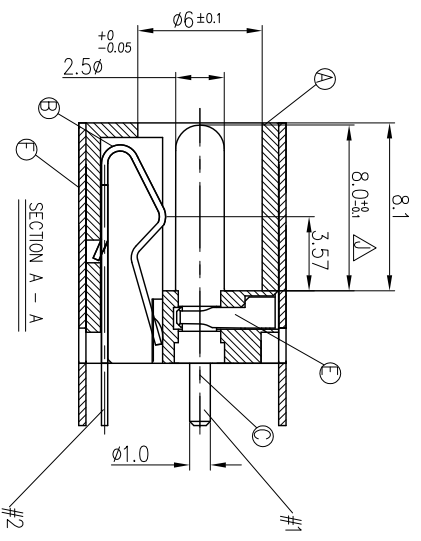
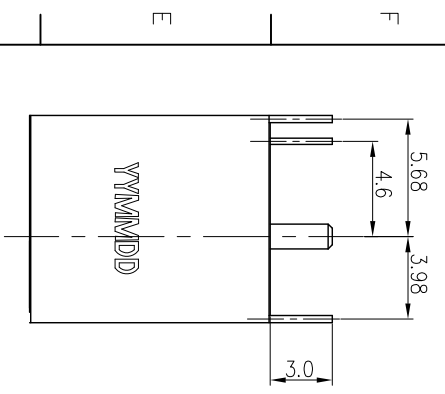


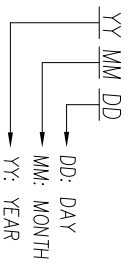
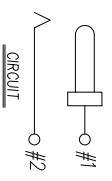
TABLE 1:

NO.	P/N	COLOR
1	ZDC-S228-B14	GREEN COLOR
2	ZDC-S228-B15	ORANGE COLOR

RECOMMENDED P.C.B LAYOUT
(TOP VIEW)(TOLERANCE:±0.05)

SPECIFICATIONS:

- 1.RATING: DC 20V 7A
- 2.INSERTION FORCE: 2.5kg Max
WITHDRAWAL FORCE: 1.0kg~2.5kg
- 3.INSULATION RESISTANCE BETWEEN ANY ADJACENT TERMINALS SHALL NOT BE LESS THAN 100 MEGOHMS BY 500V DC.
- 4.JACK SHALL WITHSTAND 500 VOLTS BETWEEN ANY ADJACENT TERMINAL FOR ONE MINUTE.
- 5.CONTACT RESISTANCE SHALL NOT EXCEED 0.03 OHMS.
- 6.JACK SHALL WITHSTAND 5,000 CYCLES OF INSERTION AND WITHDRAWAL WITH TESTING PLUG, AND CONTACT RESISTANCE SHALL NOT EXCEED 0.06 OHMS.
- 7.MEASURING CONDITION:
TEMPERATURE: FROM 5°C TO 35°C.
RELATIVE HUMIDITY: FROM 40% TO 85%.
- 8.PRINTED DATE CODE"YYMMDD"ON TOP OF CONNECTOR.
- 9.TO CONFORM TO SINGATRON HAZARDOUS SUBSTANCE FREE SPEC.
- 10.GREEN PRODUCT IDENTIFICATION MARK ON JACK:
- 11.GREEN PRODUCT IDENTIFICATION LABEL ON PACKAGING:
- 12.FOR 280°C 10SEC. WAVE SOLDERING LEAD-FREE PROCESS.



G	MYLAR	1	MYLAR 0.075t	TRANSPARENT
F	SHIELD	1	COOPER ALLOY 0.35T	SH. NI.
E	TERMINAL	1	HIGHT TEMP THERMOPLASTIC UHQ4-0	BLACK COLOR
C	CENTER PIN	1	BRASS BAR	AU. NI.
B	TIP SPRING	1	COOPER ALLOY 0.3T	Ag. NI.
A	BODY	1	HIGHT TEMP THERMOPLASTIC UHQ4-0	SEE TABLE 1:
NO	DESCRIPTION	QTY	MATERIAL	PLATING & COLOR

UNLESS OTHERWISE SPECIFIED TOLERANCES

Singatron Enterprise Co., Ltd.
信晉企業股份有限公司

DECIMALS:	ANGLES:	TITLE
X : ±0.5	X : ±2°	DC POWER JACK
X.X : ±0.3	X.X : ±1°	
X.XX : ±0.2		

DWM	CHKD	APVD	PART NO.	UNIT:	SIZE:	SHEET:	REV:
1/12/09	1/12/09	1/12/09	ZDC-S228-B1X	mm	A4	10F1	B

CUSTOMER COPY