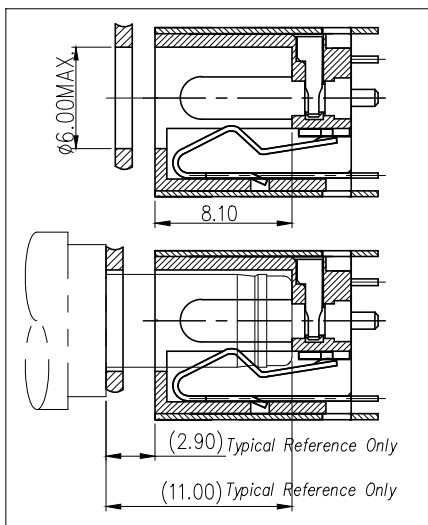
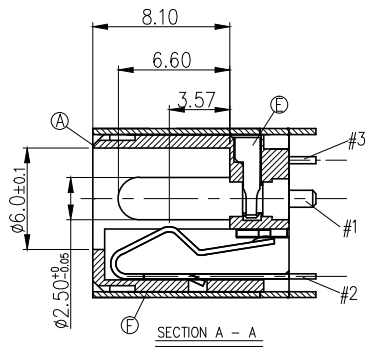
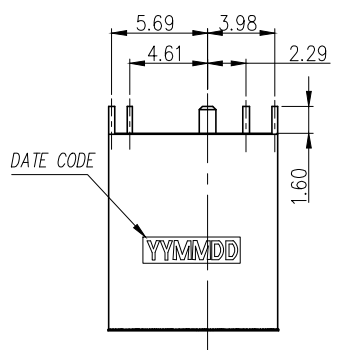
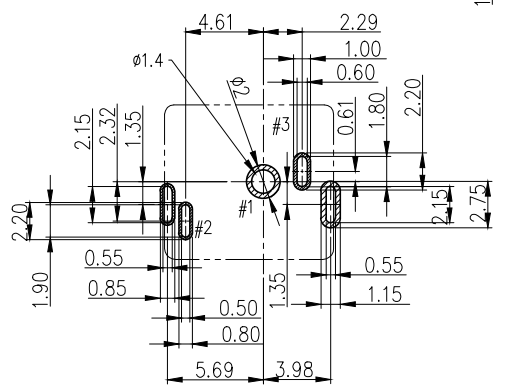
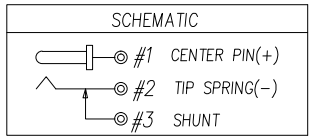
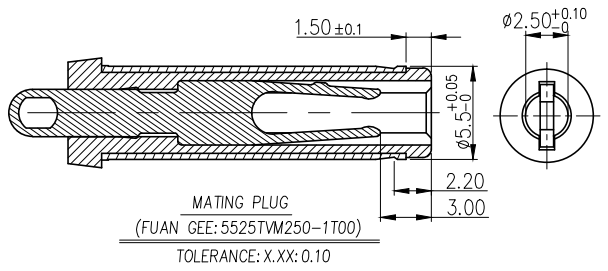
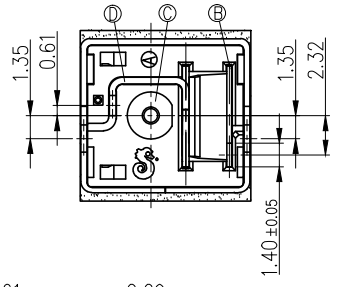
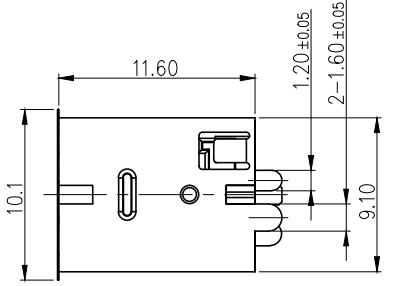
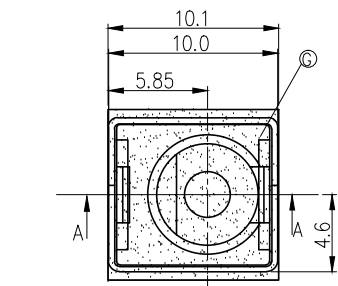


REV.	ECN NO OR DESCRIPTION	REVISED	DATE
A	PDR No.160308-5B	YUREN	2016.09.20



- SPECIFICATIONS:
- ELECTRICAL CHARACTERISTICS:
 - RATING: DC 20V 10A.
 - CONTACT RESISTANCE: 30mΩ MAX.
 - DIELECTRIC WITHSTANDING VOLTAGE: 500V AC FOR ONE MINUTE.
 - INSULATION RESISTANCE: 100MΩ MIN. MEASURED BY 500 VDC
 - MECHANICAL CHARACTERISTICS:
 - INSERTION FORCE : 0.8~2.5KGF.
 - WITHDRAWAL FORCE : 0.8~2.5 KGF.
 - LIFE TEST: 8,000 CYCLES MIN.
 - OTHER GENERAL SPEC. TO REFER "2DC-S228-B23F SPEC".
 - TO CONFORM TO SINGATRON HAZARDOUS SUBSTANCE FREE SPEC.
 - HALOGEN FREE PRODUCT IDENTIFICATION MARK ON PRODUCT:
 - HALOGEN FREE PRODUCT IDENTIFICATION LOGO ON THE PACKAGING:
 - FOR REFLOW SOLDERING LEAD-FREE PROCESS.



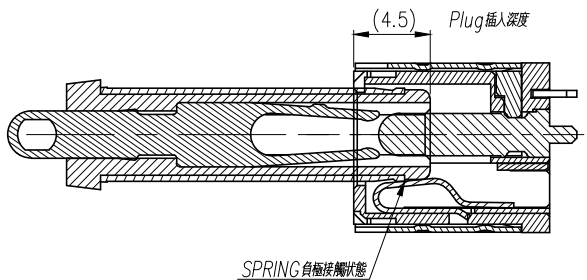
RECOMMENDED P.C.B LAYOUT
(TOP VIEW)(TOLERANCE: ±0.05)

G	MYLAR	1	MYLAR 0.075T	YELLOW
F	SHIELD	1	C2680-EH 0.35T	可耐Ni 60u"Min.
E	TERMINAL	1	PA10T+30% UL94V-0	BLACK
D	SHUNT TERMINAL	1	C2680-H 0.4T	Ag 20u", Over Ni 60u"
C	CENTER PIN	1	HBI59-1.5B	
B	TIP SPRING	1	C5210-H 0.3T	
A	BODY	1	PA10T+30% OF UL94V-0	BLACK
NO	DESCRIPTION	QTY	MATERIAL	PLATING & COLOR

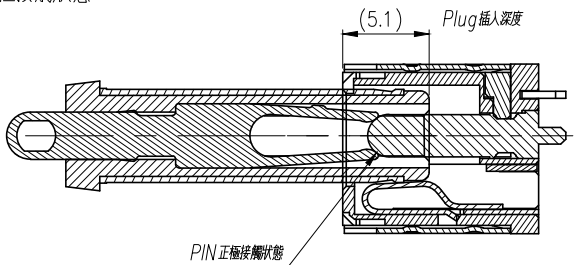
UNLESS OTHERWISE SPECIFIED TOLERANCES		Singatron Enterprise Co., Ltd. 信音企業股份有限公司	
DECIMALS:	ANGLES:	TITLE	
X : ±0.5	X : ±2°	DC POWER JACK	
X.X : ±0.3	X.X : ±1°	DWN	YUREN PART NO. 2DC-S228-B23F
X.XX : ±0.2		CHKD	CERRY SCALE 4:1 UNIT: mm
		APVD	LIAO SIZE: A3 SHEET: 10F2 REV: A
CUSTOMER COPY			

REV.	ECN NO OR DESCRIPTION	REVISED	DATE
A	PDR No.160308-5B	YUREN	2016.09.20

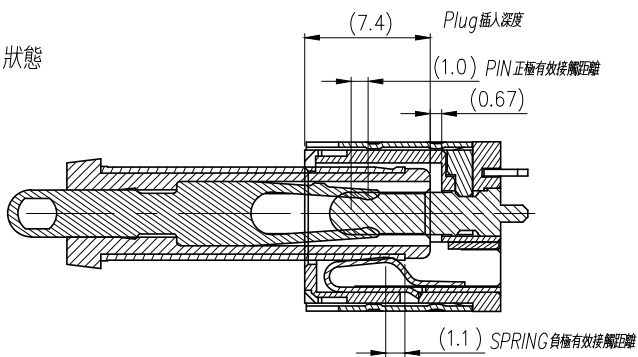
1. 負極接觸狀態



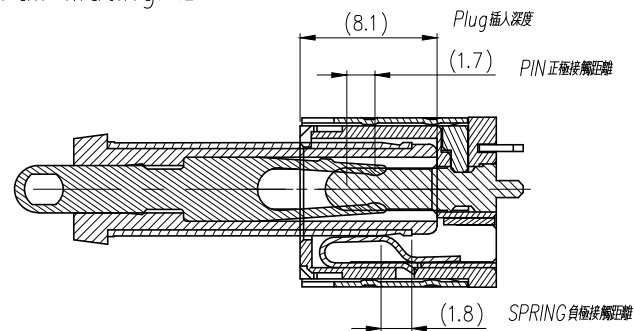
2. 正極接觸狀態



3. Lock 狀態



4. Plug Full Mating 狀態



NO	DESCRIPTION	QTY	MATERIAL	PLATING & COLOR
UNLESS OTHERWISE SPECIFIED TOLERANCES		Singatron Enterprise Co., Ltd. 信音企業股份有限公司		
DECIMALS: ANGLES:		TITLE: DC POWER JACK		
X : ±0.5	X : ±2°	DWN	YUREN	PART NO. 2DC-S228-B23F
X.X : ±0.3	X.X : ±1°	CHKD	CERRY	SCALE 4:1 UNIT: mm
X.XX : ±0.2		APVD	LIAO	SIZE: A3 SHEET: 20F2 REV: A
CUSTOMER COPY				