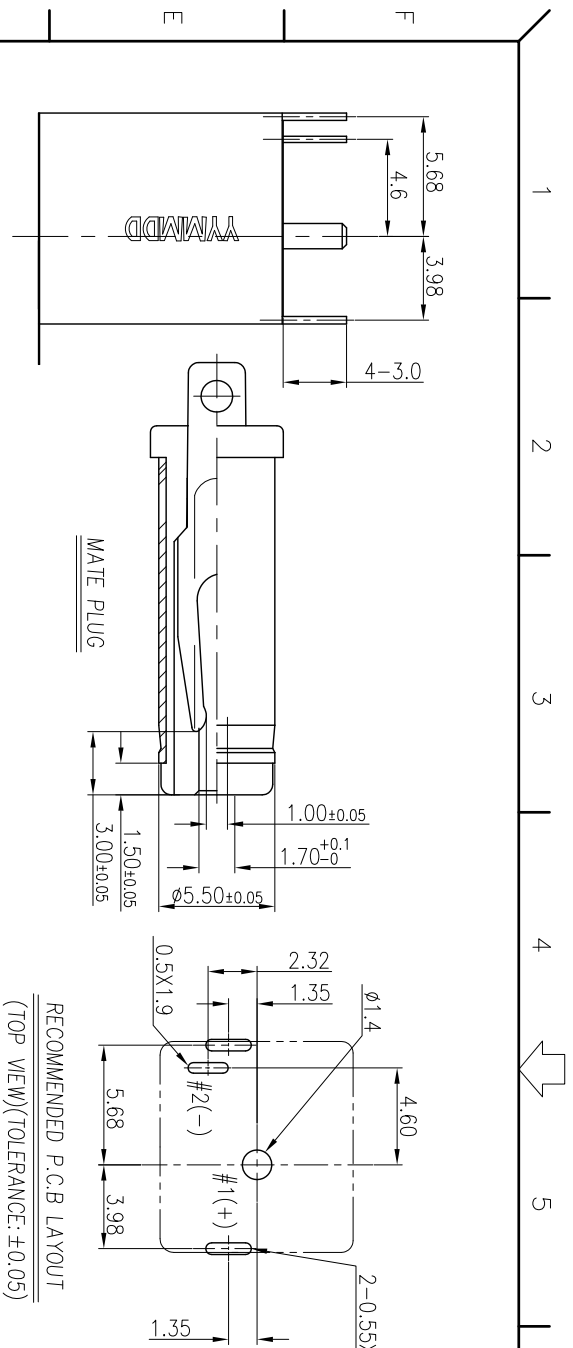


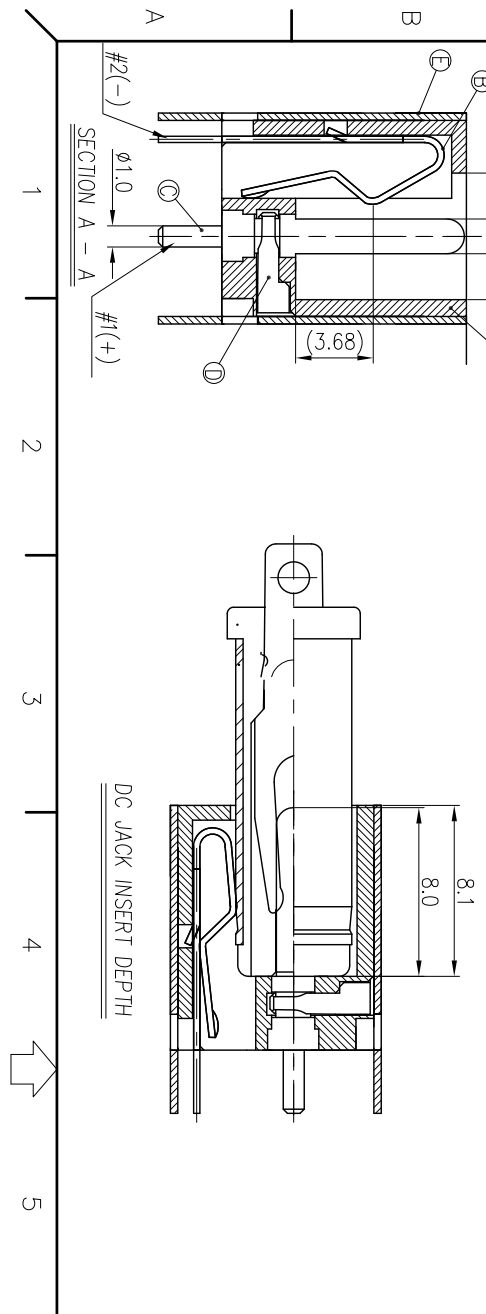
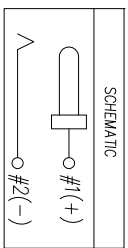
REV.	ECN NO OR DESCRIPTION	REVISED	DATE
A	PRODUCT RELEASE	Fanluo	2012.03.07



RECOMMENDED P.C.B LAYOUT
(TOP VIEW)(TOLERANCE:±0.05)

SPECIFICATIONS:

- 1.RATING: 20V 7A
- 2.INSERTION FORCE: 2.5kgf Max
WITHDRAWAL FORCE: 1.5kgf Min(INITIAL)
WITHDRAWAL FORCE: 1.0kgf~2.5kgf(FINAL)
- 3.INSULATION RESISTANCE BETWEEN ANY ADJACENT TERMINALS SHALL NOT BE LESS THAN 100 MEGOHMS BY 500V DC.
- 4.JACK SHALL WITHSTAND 500 VOLTS BETWEEN ANY ADJACENT TERMINAL FOR ONE MINUTE.
- 5.CONTACT RESISTANCE SHALL NOT EXCEED 30mΩ
- 6.JACK SHALL WITHSTAND 5,000 CYCLES OF INSERTION AND WITHDRAWAL WITH TESTING PLUG, AND CONTACT RESISTANCE SHALL NOT EXCEED 60mΩ
- 7.MEASURING CONDITION:
TEMPERATURE:FROM 5°C TO 35°C.
RELATIVE HUMIDITY: FROM 40% TO 85%.
- 8.PRINTED DATE CODE"YMMDD"ON TOP OF CONNECTOR.
- 9.TO CONFORM TO SINGATRON HAZARDOUS SUBSTANCE FREE SPEC.
10. HALOGEN FREE PRODUCT IDENTIFICATION MARK ON JACK:Ⓞ
11. HALOGEN FREE PRODUCT IDENTIFICATION LABEL ON PACKAGING:Ⓞ
- 12.FOR 260°C. 10SEC. WAVE SOLDERING LEAD-FREE PROCESS.
13. PACKAGING:TAP&REIL



NO	DESCRIPTION	QTY	MATERIAL	PLATING & COLOR
F	WYLAR	1	INSULATION FILM 0.075I	TRANSPARENT
E	SHIELD	1	COOPER ALLOY 0.35T	MATT TIN
D	TERMINAL	1	HIGHT TEMP THERMOPLASTIC UL94V-0	BLACK
C	CENTER PIN	1	BRASS BAR	PLATED SILVER
B	TIP SPRING	1	COOPER ALLOY 0.3T	PLATED SILVER
A	BODY	1	HIGHT TEMP THERMOPLASTIC UL94V-0	BLACK

UNLESS OTHERWISE SPECIFIED TOLERANCES

DECIMALS: ANGLES:

X	:±0.5	X	:±2°
X.X	:±0.3	X.X	:±1°
X.XX	:±0.2		

Singatron Enterprise Co., Ltd.
信音企業股份有限公司

TITLE DC POWER JACK

PART NO. 2DC-S228-Q19F

DWN	Forme 2012.03.07	SCALE 4:1	UNIT: mm	REV: A
CHKD	DATE 2012.03.07	SIZE: A4	SHEET: 10F1	
APVD	Lib 2012.03.07			

CUSTOMER COPY