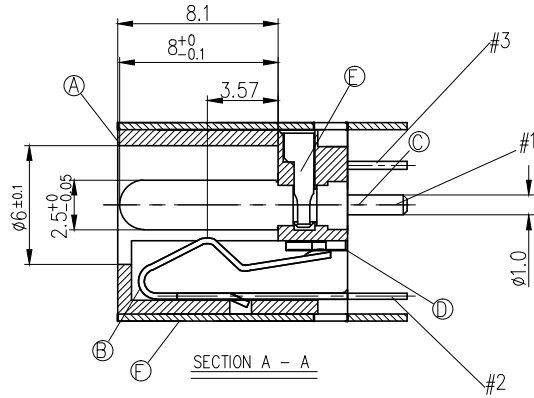
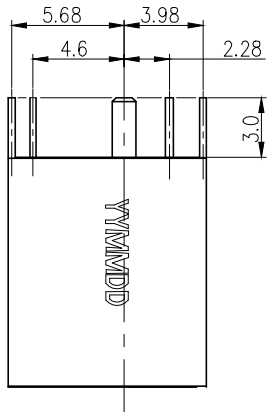
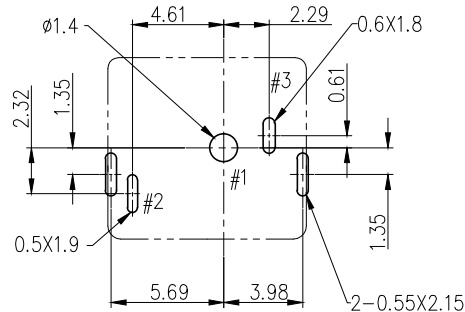
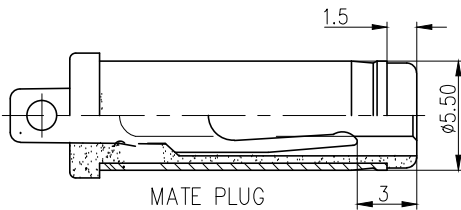
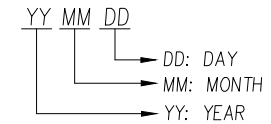
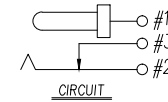
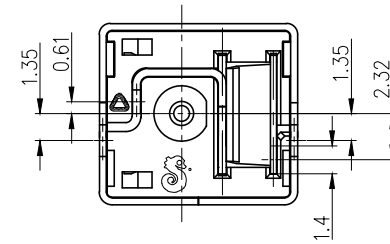
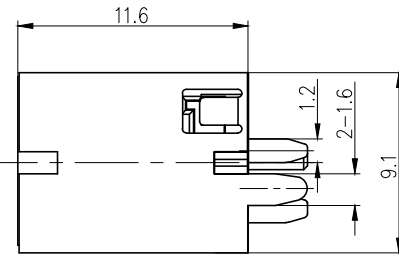
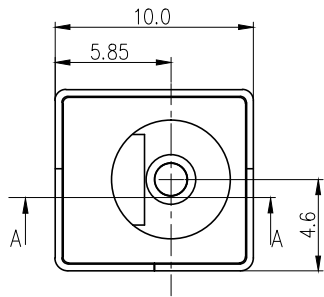


REV.	ECN NO OR DESCRIPTION	REVISED	DATE
A	ECN:C140262 SEPARATE DRAWING	CHEN	2014.12.03
B	ECN NO:S160101-R	YUREN	2016.06.30



SPECIFICATIONS:

- 1.RATING: 20V DC; 7A
- 2.INSERTION FORCE: 2.5Kg Max
WITHDRAWAL FORCE: 1.0Kg~2.5Kg
- 3.INSULATION RESISTANCE BETWEEN ANY ADJACENT TERMINALS SHALL NOT BE LESS THAN 100 MEGOHMS BY 500V DC.
- 4.JACK SHALL WITHSTAND 500 VOLTS BETWEEN ANY ADJACENT TERMINAL FOR ONE MINUTE.
- 5.CONTACT RESISTANCE SHALL NOT EXCEED 0.03 OHMS.
- 6.JACK SHALL WITHSTAND 5,000 CYCLES OF INSERTION AND WITHDRAWAL WITH TESTING PLUG, AND CONTACT RESISTANCE SHALL NOT EXCEED 0.06 OHMS.
- 7.MEASURING CONDITION:
TEMPERATURE: FROM 5°C TO 35°C.
RELATIVE HUMIDITY: FROM 40% TO 85%.
- 8.PRINTED DATE CODE"YYMMDD"ON TOP OF CONNECTOR.
- 9.TO CONFORM TO SINGATRON HAZARDOUS SUBSTANCE FREE SPEC.
- 10.GREEN PRODUCT IDENTIFICATION MARK ON JACK:
- 11.GREEN PRODUCT IDENTIFICATION LABEL ON PACKAGING: **G.P. PASS**
- 12.FOR 260°C 10SEC. WAVE SOLDERING LEAD-FREE PROCESS.



RECOMMENDED P.C.B LAYOUT
(TOP VIEW)(TOLERANCE:±0.05)

NO	DESCRIPTION	QTY	MATERIAL	PLATING & COLOR
F	SHIELD	1	COPPER ALLOY 0.35T	可焊NI
E	TERMINAL	1	HIGHT TEMP.THERMOPLASTIC UL94V-0	BLACK COLOR
D	SHUNT TERMINAL	1	COPPER ALLOY 0.4T	Ag20u"Min,Ni60u"Min.
C	CENTER PIN	1	BRASS BAR	Ag20u"Min,Ni60u"Min.
B	TIP SPRING	1	COPPER ALLOY 0.3T	Ag20u"Min,Ni60u"Min.
A	BODY	1	HIGHT TEMP.THERMOPLASTIC UL94V-0	BLACK COLOR
UNLESS OTHERWISE SPECIFIED TOLERANCES			Singatron Enterprise Co., Ltd. 信音企業股份有限公司	
DECIMALS:		TITLE: DC POWER JACK		
ANGLES:		DWN: YUREN PART NO. 2DC-S228B200		
X :±0.5	X :±2°	CHKD: CERRY	SCALE 1:1	UNIT: mm
X.X :±0.3	X.X :±1°	APVD: LIAO	SIZE: A3	SHEET: 10F1
X.XX :±0.2		REV: B		
CUSTOMER COPY				