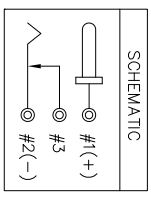
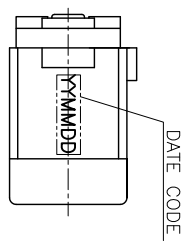
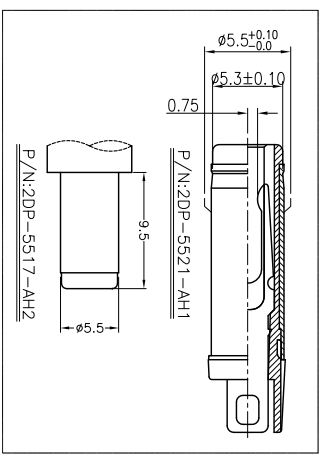
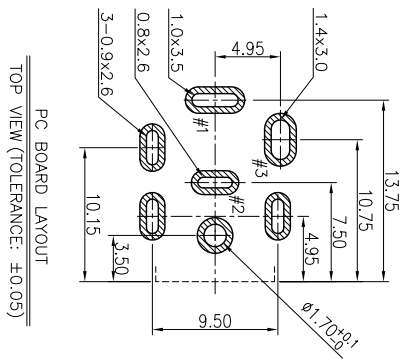
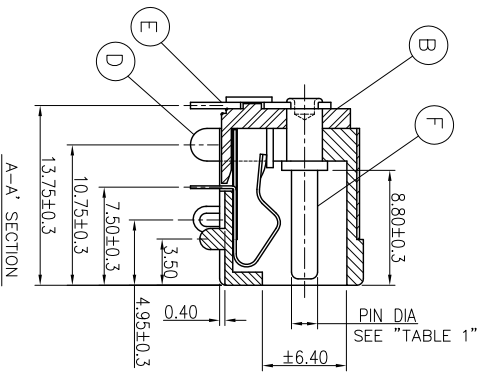
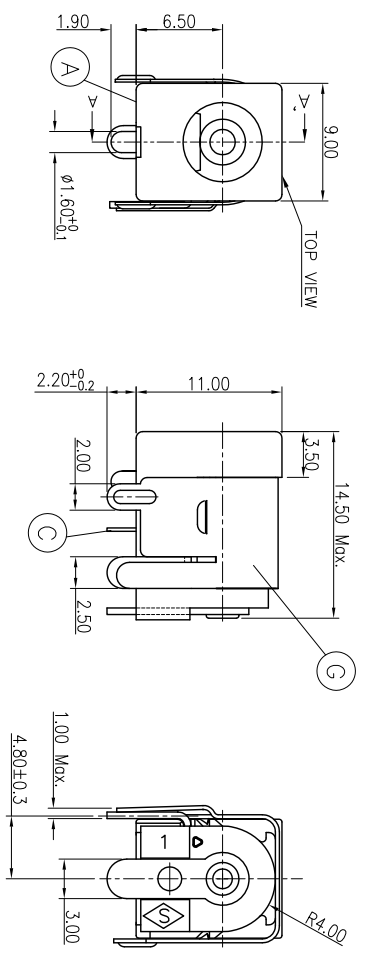


REV.	ECN NO OR DESCRIPTION	REVISED	DATE
J	0370081 CHANGE PIN HEAD FROM FULL R TO R	HANJIA	6/27/07
K	ADD GREEN PRODUCT IDENTIFICATION MARK	KENSON	9/18/09
L	ECN NO.C100121	BILL	2010.06.07



NO	DESCRIPTION	QTY	MATERIAL	PLATING&COLOR
A	BODY	1	HIGH TEMP THERMOPLASTIC UL 94V-0	BLACK COLOR
B	COVER	1	HIGH TEMP THERMOPLASTIC UL 94V-0	BLACK COLOR
C	TIP SPRING	1	COPPER ALLOY 0.3t	SILVER PLATING
D	SHUNT TERMINAL	1	BRASS STRIP 0.5t	SILVER PLATING
E	TERMINAL	1	BRASS STRIP 0.5t	SILVER PLATING
F	PIN	1	BRASS BAR	NICKEL PLATING
G	SHIELDING PLATE	1	BRASS 0.3t	TIN(Lead free) PLATING

- UNLESS OTHERWISE SPECIFIED TOLERANCES
- DECIMALS: ANGLES:
1. RATING: DC 20V 4A  
 2. LOAD SIDE CAPACITANCE: 1μF\*4 MIN.  
 3. INSERTION FORCE: 0.5KG-2KG  
 WITHDRAWAL FORCE: 0.5KG-2KG  
 4. INSULATION RESISTANCE BETWEEN ANY ADJACENT TERMINALS SHALL NOT BE LESS THAN 100 MEGOHMS  
 BY 500 VOLTS MEGGER.  
 5. JACK SHALL WITHSTAND 250 VOLTS BETWEEN ANY ADJACENT TERMINAL FOR ONE MINUTE.  
 6. CONTACT RESISTANCE SHALL NOT EXCEED 0.03 OHMS.  
 7. JACK SHALL WITHSTAND 5,000 CYCLES OF INSERTION AND WITHDRAWAL WITH TESTING PLUG AND CONTACT RESISTANCE SHALL NOT EXCEED 0.1 OHMS.  
 8. MEASURING CONDITION:  
 TEMPERATURE: FROM 5°C TO 35°C.  
 RELATIVE HUMIDITY: FROM 40% TO 85%.  
 9. ENVIRONMENTAL SPECIFICATIONS:  
 9.1 HUMIDITY TEST: HUMIDITY 90% TO 95% TEMPERATURE 40°C ±2°C FOR 96 HOURS.  
 9.2 HEAT TEST: TEMPERATURE 70°C ± 2°C (HUMIDITY BELOW 50%) FOR 96 HOURS.  
 9.3 COLD TEST: TEMPERATURE -40°C ± 2°C FOR 96 HOURS.  
 10. PACKING: TAPE & REEL.  
 11. TO CONFORM TO THE "SE-01-001" & "ROHS DIRECTIVE"  
 12. GREEN PRODUCT IDENTIFICATION MARK ON JACK: **G.P. PASS**  
 13. GREEN PRODUCT IDENTIFICATION LABEL ON PACKAGING:  
 14. FOR LEAD-FREE PROCESS. SOLDER TEMPERATURE  
 15. SOLDER ABILITY AND MAX. ACCORDING ICP /JEDEC J-STD-020C.  
 16. DATE CODE DESCRIPTION: YY MM DD  
 DAY MONTH YEAR

PART NO.	PIN DIA.
2DC-S315-B01	φ2.5 +0 -0.1
2DC-S315-I01	φ1.65 +0 -0.1

 信音企業股份有限公司 Singaton Enterprise Co., Ltd.	
TITLE	DC POWER JACK
DWN	PART NO. 2DC-S315-X01
CHKD	SCALE: 4:1
APVD	UNIT: mm
	SIZE: A3
	SHEET: 10F1
	REV: 1
CUSTOMER COPY	