

REV.	ECN NO OR DESCRIPTION	REVISED	DATE
E	PDR_S120613-2A 聯機 2DC-S335-D3 聯機出發行	Hagen.Hu	2012.8.13
F	ECN C130269 UPDATE DRAWING	TFY	2014.4.21
G	ECN NO.S180801-0-1	Jie	2018.8.1

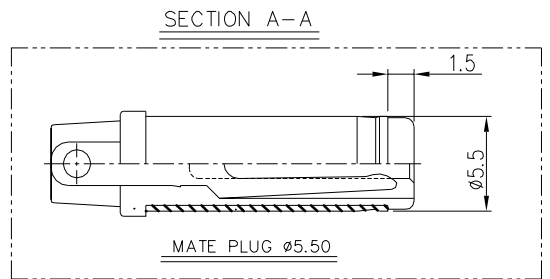
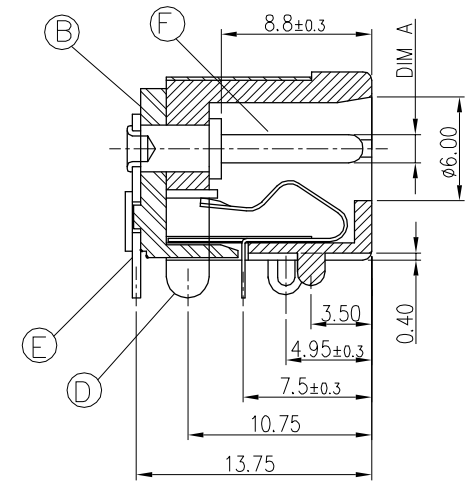
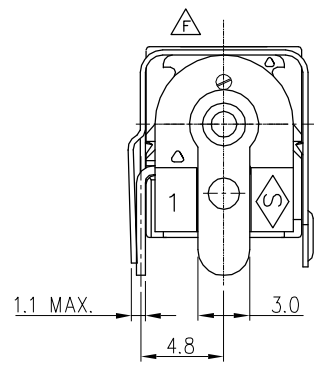
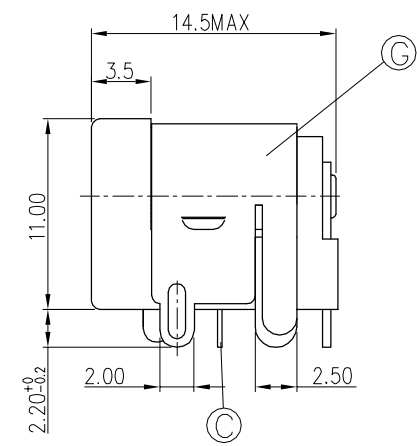
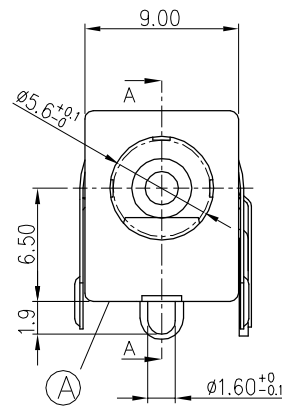
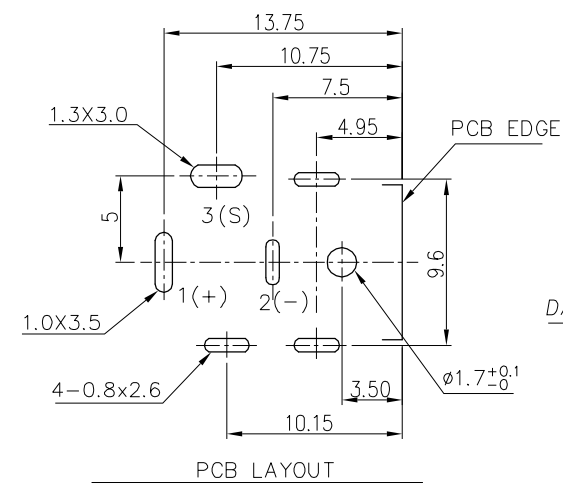
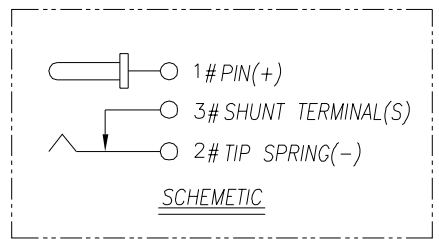


TABLE 1

PART NO.	DIM A
2DC-S335-C03	$\phi 2.35 \begin{smallmatrix} +0 \\ -0.1 \end{smallmatrix}$
2DC-S335-F03	$\phi 1.87 \begin{smallmatrix} +0 \\ -0.1 \end{smallmatrix}$
2DC-S335-G03	$\phi 1.45 \begin{smallmatrix} +0 \\ -0.1 \end{smallmatrix}$



PCB LAYOUT
TOP VIEW(TOLERANCES: ±0.05)



SPECIFICATIONS:
 1. ELECTRICAL CHARACTERISTICS:
 1-1. RATING: 20V 4A
 1-2. DIELECTRIC WITHSTANDING VOLTAGE: 500V R.M.S MIN;
 1-3. INSULATION RESISTANCE: 1000MΩ MIN.
 1-4. CONTACT RESISTANCE: 30mΩ MAX.(INITIAL)
 2. MECHANICAL CHARACTERISTICS:
 2-1. INSERTION FORCE : 0.2~2.0 KGF
 2-2. WITHDRAWAL FORCE : 0.2~2.0 KGF
 2-3. LIFE TEST: 5,000 CYCLES MIN.
 3. OTHER GENERAL SPEC. TO REFER "2DC2001 SERIES_ SPEC".
 4. TO CONFORM TO SINGATRON HAZARDOUS SUBSTANCE FREE SPEC.
 5. GREEN PRODUCT PRODUCT IDENTIFICATION MARK ON PRODUCT:
 6. GREEN PRODUCT PRODUCT IDENTIFICATION LABEL ON PACKAGING:
 7. FOR REFLOW SOLDERING LEAD FREE PROCESS.
 8. PACKAGING: TAPE&TEEL

G.P. PASS

NO	DESCRIPTION	QTY	MATERIAL	PLATING & COLOR
G	SHELL	1	BRASS 0.3t	NICKLE PLATING
F	PIN	1	BRASS	NICKLE PLATING
E	TERMINAL	1	BRASS 0.5t	SILVER PLATING
D	SHUNT TERMINAL	1	BRASS 0.5t	SILVER PLATING
C	TIP SPRING	1	COPPER ALLOY 0.3t	SILVER PLATING
B	COVER	1	HIGHT TEMP.THERMOPLASTIC UL94V-0	BLACK COLOR
A	BODY	1	HIGHT TEMP.THERMOPLASTIC UL94V-0	YELLOW COLOR(123C)
UNLESS OTHERWISE SPECIFIED TOLERANCES		Singatron Enterprise Co., Ltd. 		
DECIMALS:		TITLE		
X	:±0.5	DC JACK		
X.X	:±0.3	DWN Jie		
X.XX	:±0.2	PART NO. 2DC-S335-X03		
ANGLES:		SCALE 3:1 UNIT: mm		
X	:±2°	APVD LIAO		
X.X	:±1°	SIZE: A3 SHEET: 1 OF 1		
		REV: G		
CUSTOMER COPY				