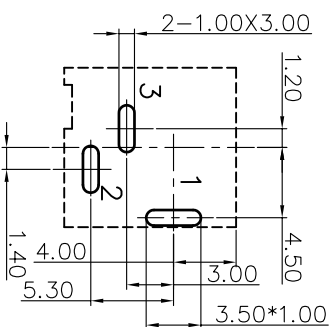
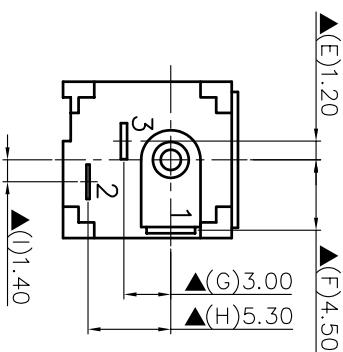
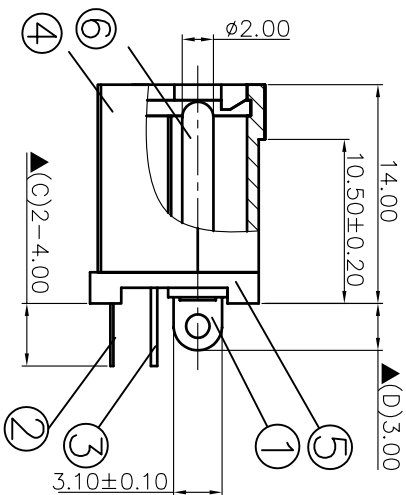
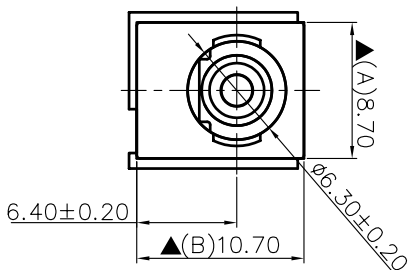
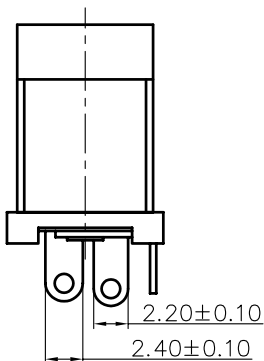
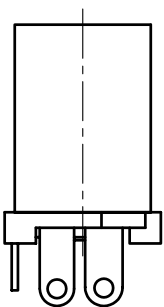


SCHEMATIC	
MODEL NO	C



Pin Hole Layout
(Jack Bottom View)

Pin(2.0φ)	Copper	1	Nickel Plated
5. Cover	PBT	1	Black Color
4. Housing	PBT	1	Black Color
3. Break Terminal	0.4T Brass	1	Silver Plated
2. Sleeve Spring	0.20 Phosphor Bronze	1	Silver Plated
1. Pin Terminal	0.4T Brass	1	Silver Plated
NO. Description	Material	Q'TY	Finish



SINGATRON (U.S.A.)

DATE	DWN	CHKD	APVD	MANAGER
10.25.2012				

PART NAME : DC POWER JACK PART NUMBER: 2DC-S433DCS

VERSION:4.0

TOLERANCE : ±0.3mm UNLESS OTHERWISE SPECIFIED

UNIT:mm



SCALE:1/1

RoHS
Compliant

For Reference
僅供參考

SPECIFICATIONS:
 Contact Resistance : 30mΩ max
 Current Rating : Max 5.0A , 24V DC
 Insulation Resistance : 100MΩ min. at DC 500V
 Dielectric Withstanding Voltage: AC 500V for one minute
 Remark: ▲ : The Most Important Dimension