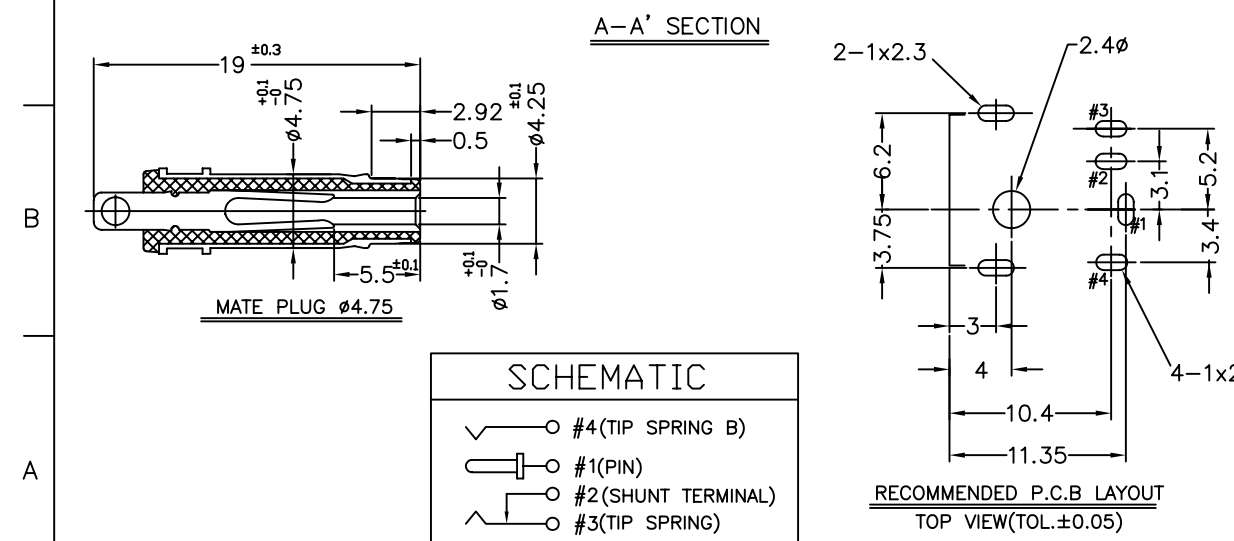
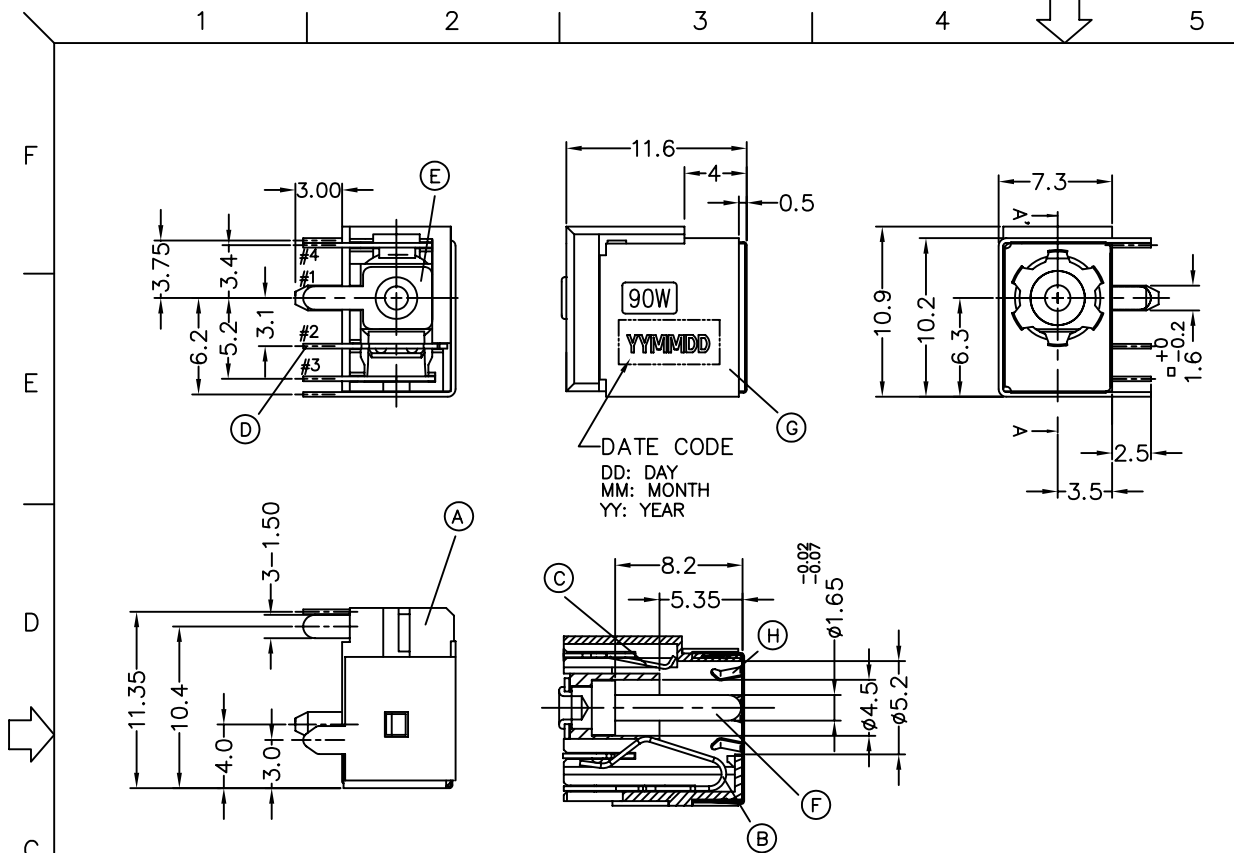


REV.	ECN NO. OR DESCRIPTION	REVISED	DATE
A	PDR No.T090317-3A	Swina	2009.04.16

- SPECIFICATIONS:
- 1.RATING: DC 20V 7A
  - 2.INSERTION FORCE: 0.4KG-3.0KG  
WITHDRAWAL FORCE: 0.4KG-3.0KG
  - 3.INSULATION RESISTANCE BETWEEN ANY ADJACENT TERMINALS SHALL NOT BE LESS THAN 100 MEGOHMS BY 500 VOLTS MEGGER.
  - 4.JACK SHALL WITHSTAND 250 VOLTS BETWEEN ANY ADJACENT TERMINAL FOR ONE MINUTE.
  - 5.CONTACT RESISTANCE SHALL NOT EXCEED 0.03 Ω
  - 6.JACK SHALL WITHSTAND 5,000 CYCLES OF INSERTION AND WITHDRAWAL WITH TESTING PLUG,AND CONTACT RESISTANCE SHALL NOT EXCEED 0.1 Ω
  - 7.MEASURING CONDITION:  
TEMPERATURE: FROM 5°C TO 35°C.  
RELATIVE HUMIDITY: FROM 40% TO 85%
  - 8.ENVIRONMENTAL SPECIFICATIONS:
    - 8.1 HUMIDITY TEST: HUMIDITY 90% TO 95% TEMPERATURE 40°C ± 2°C FOR 96 HOURS.
    - 8.2 HEAT TEST: TEMPERATURE 70°C ± 2°C (HUMIDITY BELOW 50%) FOR 96 HOURS.
    - 8.3 COLD TEST: TEMPERATURE -40°C ± 2°C FOR 96 HOURS.
  - 9.SOLDERABILITY TEST: THE TERMINATION IS AT LEAST 95% COVERED BY A CONTINUOUS NEW SOLDER COATING.  
TEST CONDITION: DIP IN MOLTEN SOLDER FOR 5 Sec. AT 245±5°C (TERMINATION SHALL BE IMMERSED IN FLUX BEFORE TEST)
  - 10.PACKAGING: TAPE & REEL
  - 11.TO CONFORM TO SINGATRON HAZARDOUS SUBSTANCE FREE SPEC.
  12. HALOGEN FREE PRODUCT IDENTIFICATION MARK ON PRODUNST:
  13. HALOGEN FREE PRODUCT IDENTIFICATION LOGO ON THE PACKAGING:
  - 14.FOR REFLOW SOLDERING LEAD-FREE PROCESS.
  - 15.PRINTED DATE CODE "YYMMDD" ON TOP OF CONNECTOR.



H	GROUNDING SPRING	1	STAINLESS 0.1t	N/A
G	SHIELDING	1	BRASS STRIP 0.3t	Ni 60u" Min.
F	PIN	1	BRASS BAR	GOLD FLASH Over Ni50u" Min
E	TERMINAL	1	BRASS STRIP 0.3t	Ag 20u"OverNi20u"Min
D	SHUNT TERMINAL	1	BRASS STRIP 0.3t	Ag 20u"OverNi20u"Min
C	TIP SPRING B	1	COPPER ALLOY 0.25t	Ag 20u"OverNi20u"Min
B	TIP SPRING A	1	COPPER ALLOY 0.3t	Ag 0.5um On Contact Area Ni60u"on Solder All OverCu60u"
A	BODY	1	HIGH TEMP. THERMOPLASTIC UL 94V-0	BLACK COLOR
NO	DESCRIPTION	QTY	MATERIAL	PLATING & COLOR

UNLESS OTHERWISE SPECIFIED TOLERANCES

Singatron Enterprise Co., Ltd.  
信音企業股份有限公司

DECIMALS: ANGLES:  
X : ±0.5 X : ±2°  
X.X : ±0.3 X.X : ±1°  
X.XX : ±0.2

TITLE	DC POWER JACK		
DWN Swina 2008.04.16	PART NO. 2DC-S726-Q11	SCALE: 4:1	UNIT: mm
CHKD Boye 2008.04.17	SIZE: A3	SHEET: 1 OF 1	REV: A
APVD Max 2008.04.17	CUSTOMER COPY		