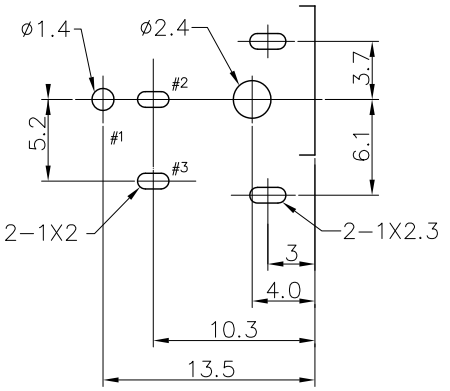
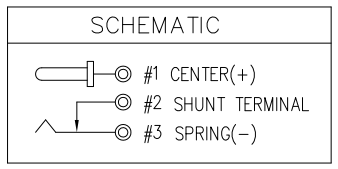
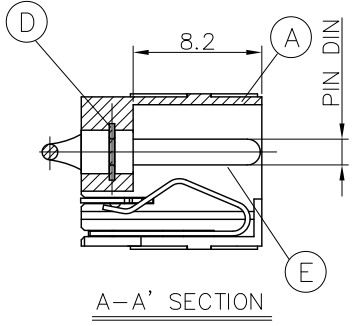
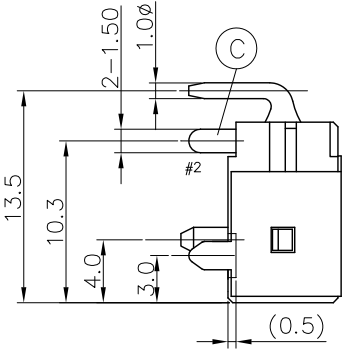
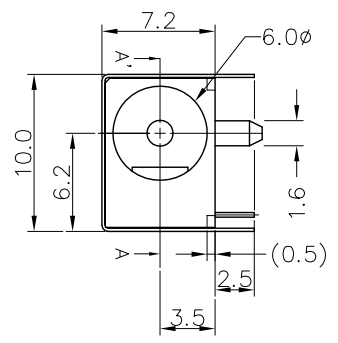
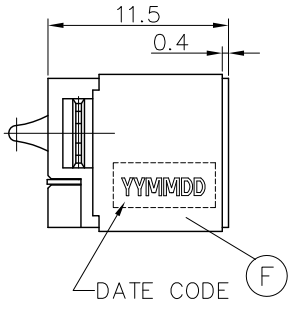
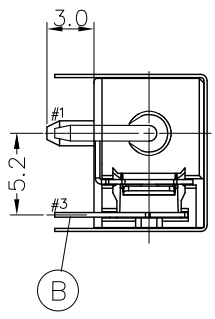


REV.	ECN NO OR DESCRIPTION	REVISED	DATE
J	ECN NO.S130217	Danfeng	2013.03.06
K	ECN NO.S151134-C	YUREN	2016.1.28

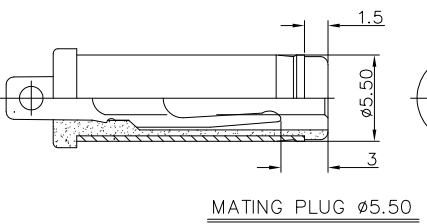
- SPECIFICATIONS:
- 1.RATING: DC 26V 5A
 - 2.INSERTION FORCE: 0.4KGf-3.0KGf
WITHDRAWAL FORCE: 0.4KGf-3.0KGf
 - 3.INSULATION RESISTANCE BETWEEN ANY ADJACENT TERMINALS SHALL NOT BE LESS THAN 100 MEGOHMS BY 500 VOLTS MEGGER.
 - 4.JACK SHALL WITHSTAND 250 VOLTS BETWEEN ANY ADJACENT TERMINAL FOR ONE MINUTE.
 - 5.CONTACT RESISTANCE SHALL NOT EXCEED 0.03 OHMS.
 - 6.JACK SHALL WITHSTAND 5,000 CYCLES OF INSERTION AND WITHDRAWAL WITH TESTING PLUG,AND CONTACT RESISTANCE SHALL NOT EXCEED 0.1 OHMS.
 - 7.MEASURING CONDITION:
TEMPERATURE: FROM 5°C TO 35°C.
RELATIVE HUMIDITY: FROM 40% TO 85%
 - 8.ENVIRONMENTAL SPECIFICATIONS:
 - 8.1 HUMIDITY TEST: HUMIDITY 90% TO 95% TEMPERATURE 40°C ± 2°C FOR 96 HOURS.
 - 8.2 HEAT TEST: TEMPERATURE 70°C ± 2°C (HUMIDITY BELOW 50%) FOR 96 HOURS.
 - 8.3 COLD TEST: TEMPERATURE -40°C ± 2°C FOR 96 HOURS.
 - 9.SOLDERABILITY TEST: THE TERMINATION IS AT LEAST 95% COVERED BY A CONTINUOUS NEW SOLDER COATING.
TEST CONDITION: DIP IN MOLTEN SOLDER FOR 5 Sec. AT 245±5°C (TERMINATION SHALL BE IMMERSED IN FLUX BEFORE TEST)
 - 10.PACKING: TAPE&REEL.
 - 11.SOLDERING CONDITION: WAVE SOLDERING / IR REFLOW.
 - 12.TO CONFORM TO SINGATRON HAZARDOUS SUBSTANCE FREE SPEC.
 - 13.GREEN PRODUCT IDENTIFICATION MARK ON JACK:
 - 14.GREEN PRODUCT IDENTIFICATION LABEL ON PACKAGING: **G.P. PASS**
 - 15.FOR LEAD FREE PROCESS.
 - 16.PRINTED DATE CODE "YYMMDD" ON TOP OF CONNECTOR.



YYMMDD
 DD: DAY
 MM: MONTH
 YY: YEAR

ORDERING CODE:
 2DC-S756 200

PART NO.	PIN DIA.
B	2.5φ ^{+0.1}
D	2.0φ ^{+0.1}
C	2.35φ ^{+0.1}
I	1.65φ ^{+0.1}



F	SHIELDING	1	BRASS STRIP 0.2t	Ni 60u" Min
E	PIN	1	BRASS BAR	Ag 20u" Min
D	TERMINAL	1	STAINLESS 0.3t	N/A
C	SHUNT TERMINAL	1	BRASS STRIP 0.3t	Ag 20u" Min
B	TIP SPRING	1	C5210-EH 0.3t	Ag 20u" Min
A	BODY	1	HIGH TEMP. THERMOPLASTIC UL 94V-0	BLACK COLOR
NO	DESCRIPTION	QTY	MATERIAL	PLATING & COLOR
UNLESS OTHERWISE SPECIFIED TOLERANCES			Singatron Enterprise Co., Ltd. 信音企業股份有限公司	
DECIMALS:		ANGLES:		TITLE
X	:±0.5	X	:±2°	DC POWER JACK
X.X	:±0.3	X.X	:±1°	DWN YUREN
X.XX	:±0.2			CHKD CERRY
				APVD LIAO
				SCALE:3/1 UNIT: mm
				SIZE: A3 SHEET:1 OF 1
				REV:K
CUSTOMER COPY				