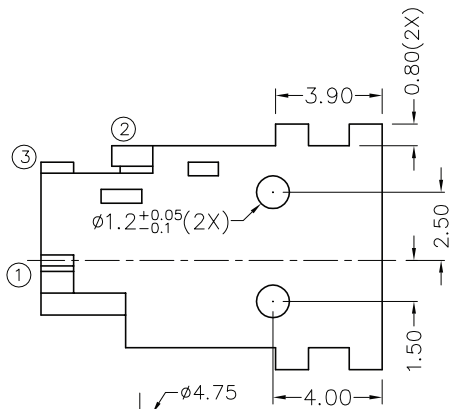
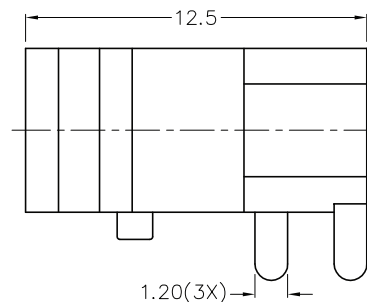
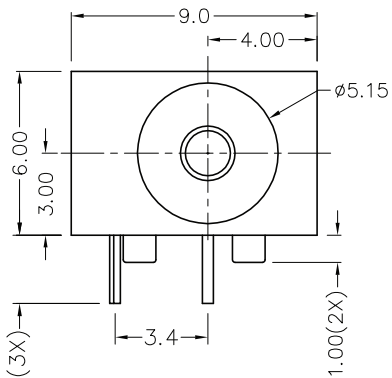
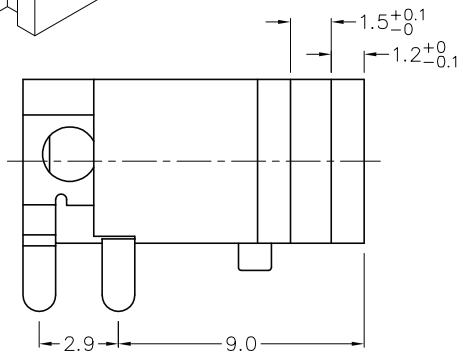
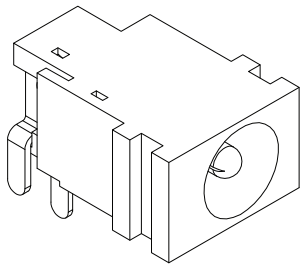


ZONE	SYMBOL	REVISION	APPROVAL	DATE
		ADD RoHS Compliant	J.X.KUANG	8-7-2006

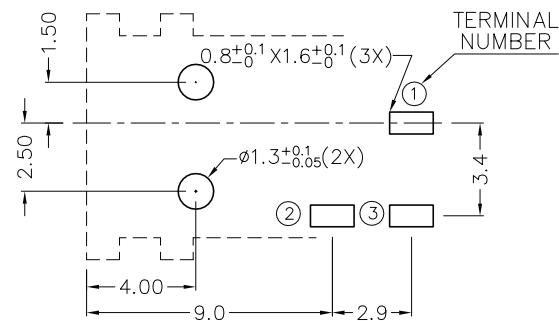
RoHS
Compliant



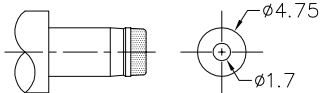
* MATERIAL

TERMINAL 1 : BRASS
 TERMINAL 2 : COPPER ALLOY
 TERMINAL 3 : BRASS
 HOUSING : PA66

MODEL NO.	2DC-T026H-PA66
SCHEMATIC	1, 2, 3
CENTER PIN	ø1.65mm



PCB LAYOUT
(BOTTOM VIEW)



DC MATE PLUG

UNLESS OTHERWISE SPECIFIED TOLERANCES		Singatron Enterprise Co., Ltd.		
DECIMALS:	ANGLES:	TITLE	DC POWER SOCKET	
X : ±0.5	X : ±2°	DWN	PART NO. 2DC-T026H-PA66	
X.X : ±0.3	X.X : ±1°	CHKD	SCALE 1:1	UNIT: mm
X.XX : ±0.2		APVD	SIZE: A3	SHEET: 1 OF 1 REV: B
CUSTOMER COPY				