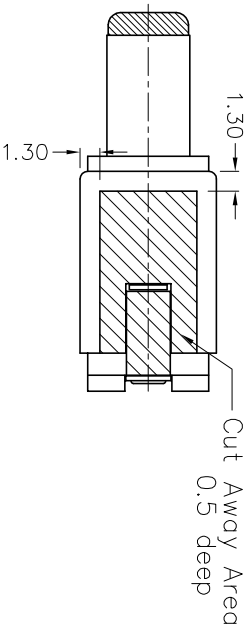
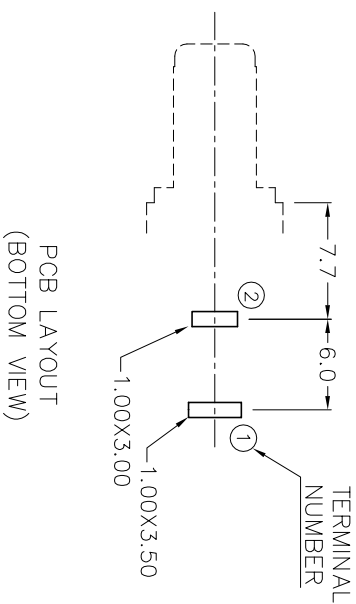
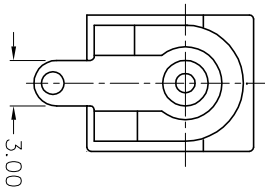
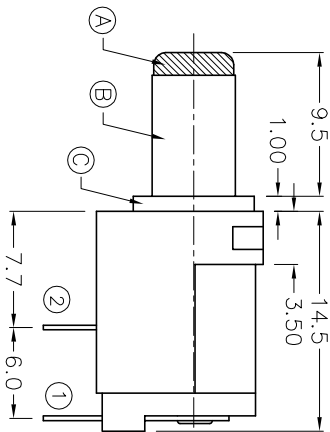
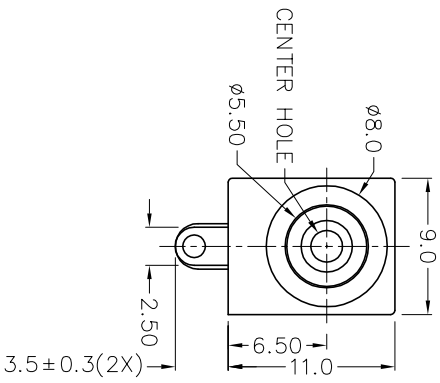


RoHS
Compliant

ZONE	SYMBOL	REVISION	APPROVAL	DATE
F4		ø2.5mm CENTER HOLE CANCELLED	J.X.KUANG	17-7-2007



MODEL NO.	2DC-T039-001
SCHEMATIC	
CENTER HOLE	ø2.1 ^{+0.05} ₋₀ mm

SINGATRON (U.S.A.)

PART NAME	DC PLUG	TOLERANCE UNLESS	0.0±0.2	UNIT:	mm
PART NO.	2DC-T039-001	OTHERWISE SPECIFIED:	0.00±0.1 0.000±0.05		

DESIGN	J.X.KUANG	DATE	11-10-2003	SCALE	2:1
DRAWING	T.Y.LI	DATE	17-7-2007	MATERIAL	*
CHECK		DATE		DWG. NO.	
APPROVAL		DATE		SHEET	

- * MATERIAL
- PLUG
- A) PLASTIC : ABS
 - B) METAL : BRASS
 - C) GUIDE : ABS
- MAIN BODY
- TERMINAL 1 : BRASS
 - TERMINAL 2 : COPPER ALLOY
 - HOUSING : PBT
 - COVER : PBT