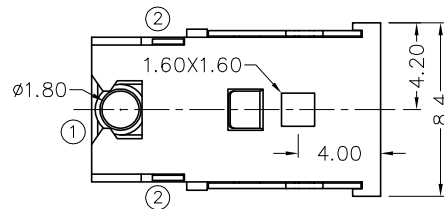
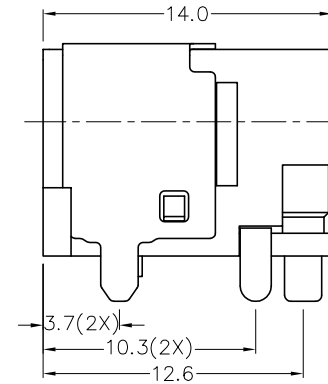
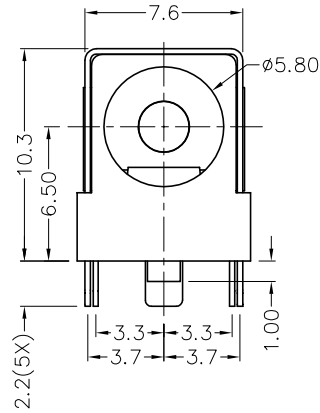
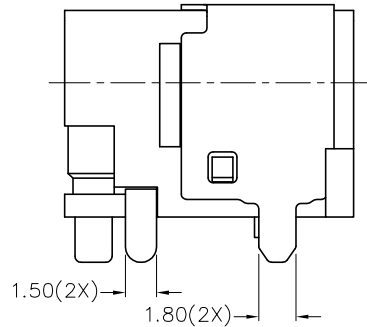


RoHS
Compliant

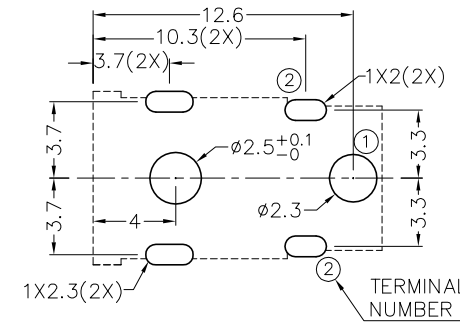
ZONE	SYMBOL	REVISION	APPROVAL	DATE



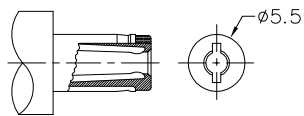
* MATERIAL

TERMINAL 1 : COPPER
 TERMINAL 2 : COPPER ALLOY
 SHIELD : BRASS
 HOUSING : THERMOPLASTIC

MODEL NO.	2DC-T044S2-1
SCHEMATIC	1
	2
CENTER PIN	ø2mm
	ø2.5mm



RECOMMENDED PCB LAYOUT
 TOLERANCE: ±0.05
 (TOP VIEW)



DC MATE PLUG

7-11-2016

TOLERANCE UNLESS 0.0±0.2
 OTHERWISE SPECIFIED: 0.00±0.1
 0.000±0.05

Singatron Enterprise Co., Ltd.				
TITLE	DC POWER SOCKET			
DWN	J.H.ZHOU	PART NO.	2DC-T044S2-1	
CHKD	H.L.TAN	SCALE	1:1	UNIT: mm
APVD		SIZE	A3	SHEET: 1 OF 1 REV: 1.0
CUSTOMER COPY				