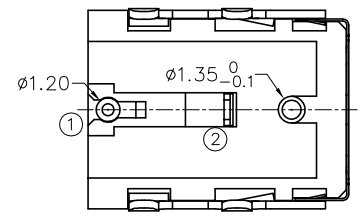
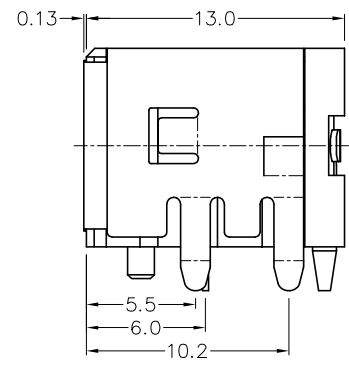
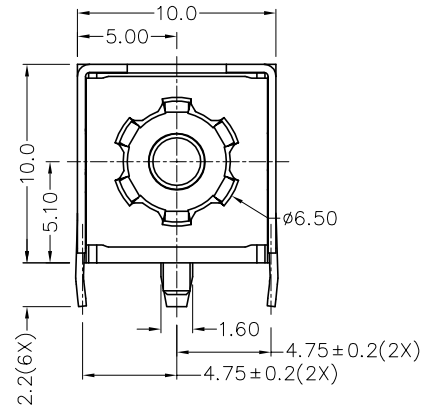
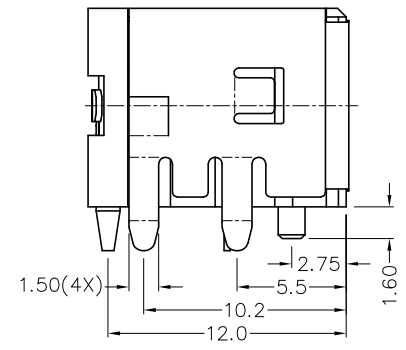
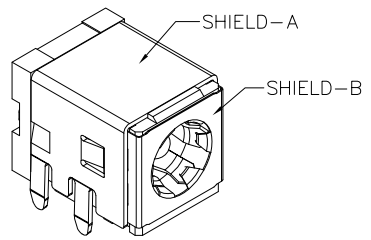


1 2 3 4 5 6 7 8

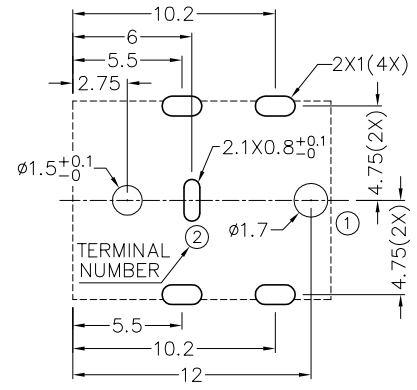
RoHS
Compliant

ZONE	SYMBOL	REVISION	APPROVAL	DATE

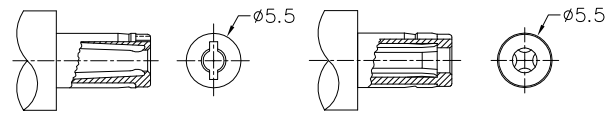


*MATERIAL

- TERMINAL 1 : BRASS
- TERMINAL 2 : COPPER ALLOY
- STOPPER : C.R.STEEL
- SHIELD-A : C.R.STEEL
- SHIELD-B : STAINLESS STEEL
- HOUSING : HIGH TEMP. PLASTIC
- COVER : HIGH TEMP. PLASTIC



RECOMMENDED PCB LAYOUT
TOLERANCE: ±0.05
(TOP VIEW)



DC MATE PLUG
RATING: DC 20V 7A

DC MATE PLUG
RATING: DC 20V 10A

MODEL NO.	2DC-T081HS
SCHEMATIC	
CENTER PIN	ø1.65mm ø2.5mm

TOLERANCE UNLESS 0.0±0.2
0.00±0.1
OTHERWISE SPECIFIED: 0.000±0.05

Singatron Enterprise Co., Ltd.				
TITLE	HIGH CURRENT DC POWER SOCKET			
DWN	J.CH.OU	PART NO.	2DC-T081HS	
CHKD	H.L.TAN	SCALE	1:1	UNIT: mm
APVD	17	SIZE	A3	SHEET: 1 OF 1 REV: 1.0
CUSTOMER COPY				

5-9-2016

1 2 3 4 5 6 7 8