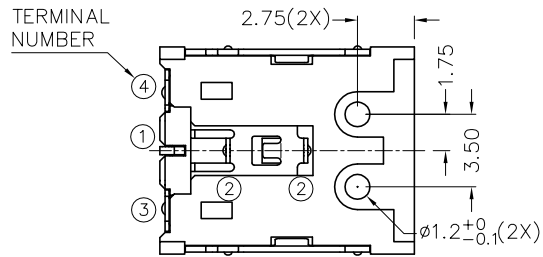
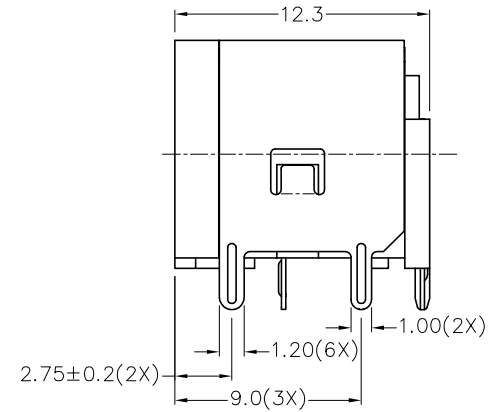
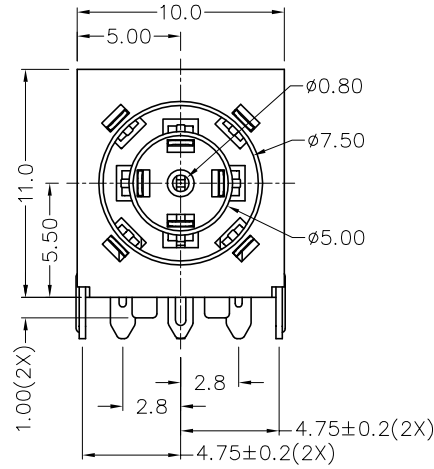
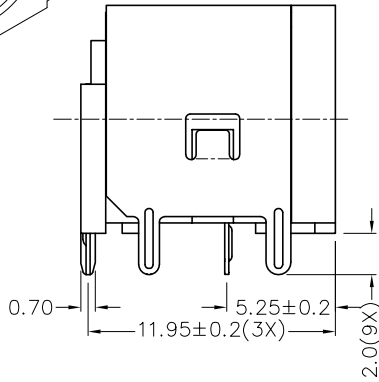
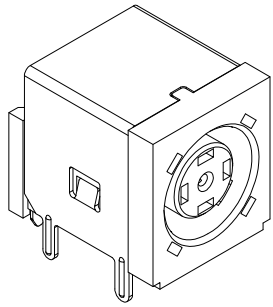


RoHS
Compliant

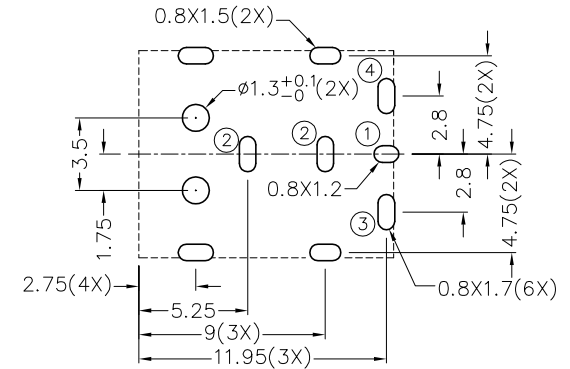
ZONE	SYMBOL	REVISION	APPROVAL	DATE



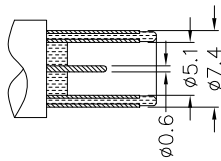
* MATERIAL

- TERMINAL 1 : COPPER ALLOY
- TERMINAL 2 : COPPER ALLOY
- TERMINAL 3 : COPPER ALLOY
- TERMINAL 4 : COPPER ALLOY
- SPRING : STAINLESS STEEL
- SHIELD : BRASS
- HOUSING : HIGH TEMP. PLASTIC

MODEL NO.	2DC-T093HS-B-005-G-1
SCHEMATIC	



RECOMMENDED PCB LAYOUT
TOLERANCE: ±0.05
(TOP VIEW)



DC MATE PLUG

Singatron Enterprise Co., Ltd.

TITLE	HIGH CURRENT DC POWER SOCKET			
DWN	J.CH.OU	PART NO.	2DC-T093HS-B-005-G-1	
CHKD	T.Y.LI	SCALE	1:1	UNIT: mm
APVD	dy	SIZE	A3	SHEET: 1 OF 1 REV:

CUSTOMER COPY