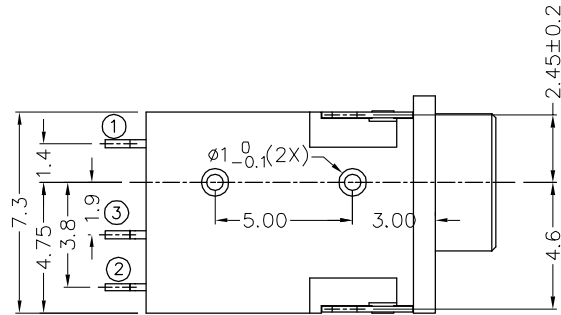
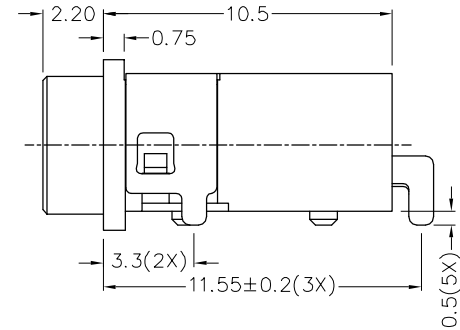
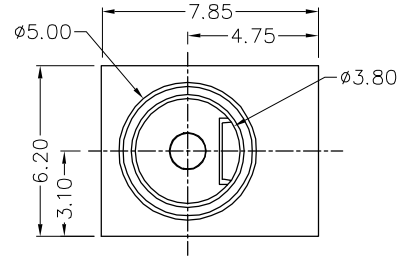
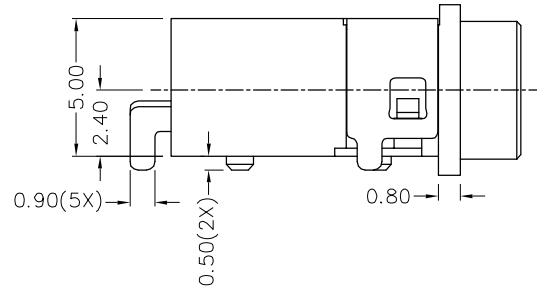
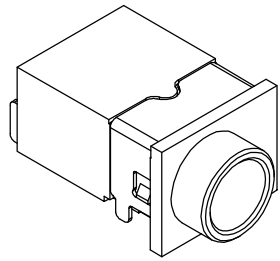




RoHS
Compliant

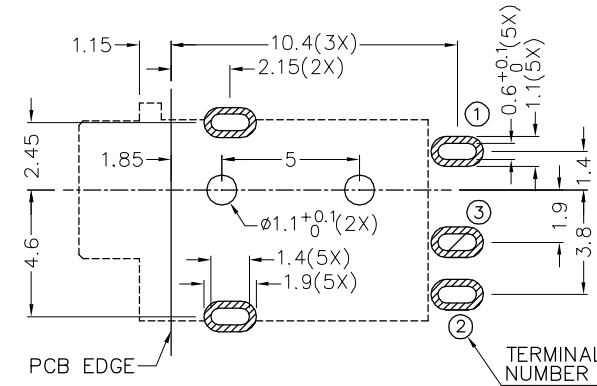
ZONE	SYMBOL	REVISION	APPROVAL	DATE
		ADD DUSTPROOF LOGO	J.X.KUANG	6-11-2017



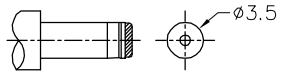
*** MATERIAL**

- TERMINAL 1 : BRASS
- TERMINAL 2 : COPPER ALLOY
- TERMINAL 3 : BRASS
- SHIELD : BRASS
- HOUSING : HIGH TEMP. PLASTIC
- COVER : HIGH TEMP. PLASTIC

MODEL NO.	2DC-TW1001HS
SCHEMATIC	
CENTER PIN	ø1.3mm



RECOMMENDED PCB LAYOUT
TOLERANCE: ±0.05
(TOP VIEW)



DC MATE PLUG

Singatron Enterprise Co., Ltd.

TITLE	HIGH CURRENT WATERPROOF/DUSTPROOF DC POWER SOCKET			
DWN	H.L.TAN 6-11-2017	PART NO.	2DC-TW1001HS	
CHKD	J.H.ZHOU 6-11-2017	SCALE	1:1	UNIT: mm
APVD	T.Y.H. 6-11-2017	SIZE	A3	SHEET: 1 OF 1 REV: A

CUSTOMER COPY

TOLERANCE UNLESS 0.0±0.2
0.00±0.1
OTHERWISE SPECIFIED: 0.000±0.05

1

2

3

4

5

6

7

8

F

E

D

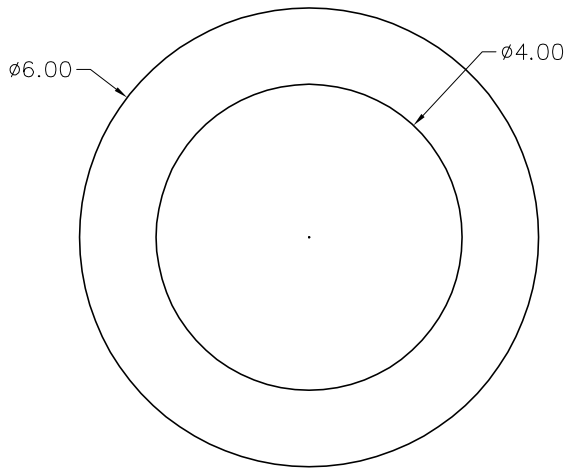
C

B

A

RoHS
Compliant

ZONE	SYMBOL	REVISION	APPROVAL	DATE
		VERSION FORMAT CHANGED FROM ALPHABET TO NUMERIC	J.X.KUANG	17-3-2017



MATERIAL
 M1.MATERIAL: Silicone,94V-0
 M2.HARDNESS: 70°

TOLERANCE UNLESS 0.0±0.2
 0.00±0.1
 OTHERWISE SPECIFIED: 0.000±0.05

Singatron Enterprise Co., Ltd.

TITLE	O-RING			
DWN	H.L.TAN 17-3-2017	PART NO. O-RING-2		
CHKD	H.Q.ZHOU 17-3-2017	SCALE 1:1	UNIT: mm	☉ ↗
APVD	T.Y.LI 17-3-2017	SIZE: A3	SHEET: 1 OF 1	REV: A

CUSTOMER COPY