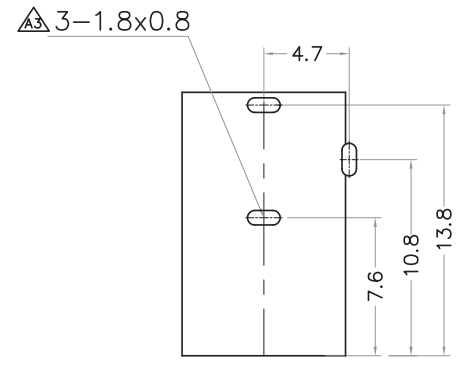
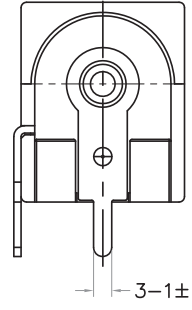
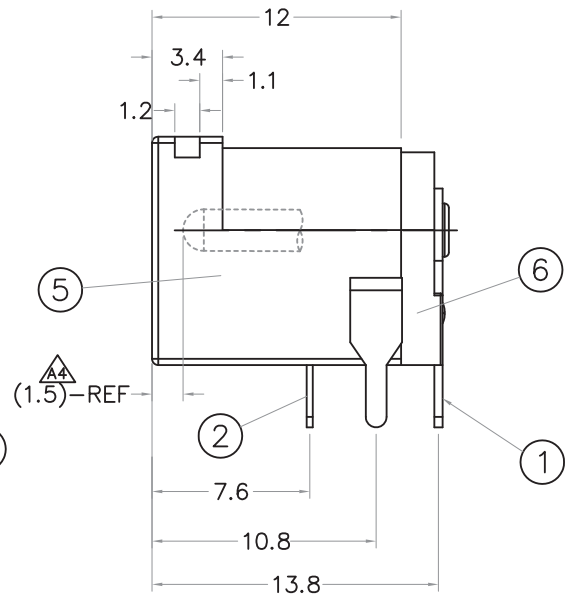
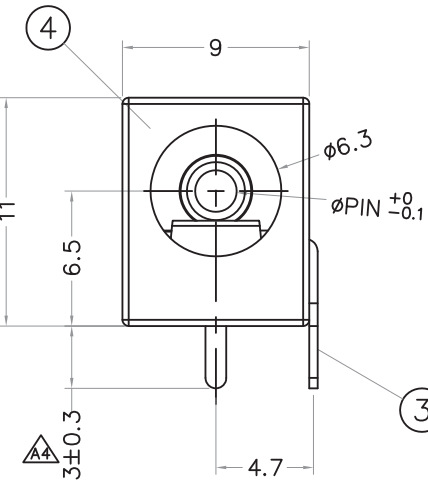


* REVISIONS

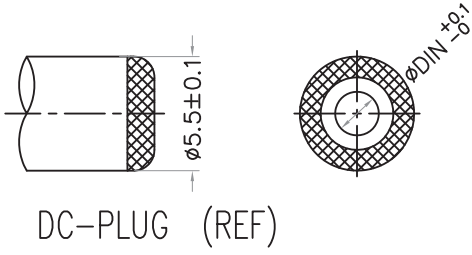
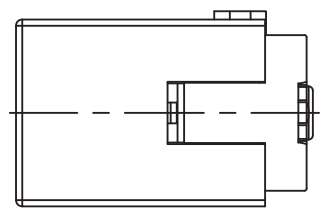
LTR	DESCRIPTION	DATE	REVISED	APPROVED
001	新图发行	2006.01.14	ANJOU	GIEVEN
002	更新图面	2015.11.06	H. RP	GAOWEI
△A	1. 修改PCB孔径尺寸2. 增加公差对照表3. 修正PIN脚尺寸	2016.06.22	H. RP	GAOWEI
△A	1. 修改PIN下板高度为3.0. 2. 中心PIN内缩参考尺寸为1.5.	2016.06.29	H. RP	GAOWEI
005	修正公差对照表	2016.07.20	H. RP	GAOWEI



T:1.6 Dimensions of PC board holes
Tolerance : ±0.1(Printed-Top view)

CAT. NO.	PIN	SCHEMATIC
2DC-W020-61A	φ2.0	

Specification:
 1. Rating : DC 12V 1A ;
 2. Contact resistance: ≤30m Ω ;
 After test: ≤50m Ω
 3. Insulation resistance: ≥100M Ω
 (500VDC);
 After test: ≥50M Ω
 4. Withstand voltage: 500VAC ;
 5. Insertion and extraction force: 3N ~ 30N;
 6. life test: 5000cycles min ;
 7. Operation temperature range: -25°C ~ 60°C
 8. Preservative temperature range: -40°C ~ 70°C



LEAD FREE

LTR	PART NAME	QTY	MATERIAL	REMARK
6	COVER	1	PBT	BLACK
5	HOUSING	1	PBT	BLACK
4	CENTER PIN	1	COPPER ALLOY	MB: Ni Sn PLATED
3	CURVE PIECE	1	BRASS t=0.40	MB: Ni Ag PLATED
2	RING SPRING	1	PHOSPHOR BRONZE t=0.25	MB: Ni Ag PLATED
1	TERMINAL	1	BRASS t=0.35	MB: Ni Ag PLATED

UNLESS OTHERWISE SPECIFIED TOLERANCES		Singatron Enterprise Co., Ltd.			
DECIMALS:	ANGLES:	TITLE	DC POWER JACK		
X : ±0.25	X : ±5°	DWN	ANJOU 2006.01.13	PART NO. 2DC-W020-61A	
X.X : ±0.20	X.X : ±3°	CHKD	ANJOU 2006.01.13	SCALE 1:1	UNIT: mm
X.XX : ±0.15		APVD	GIEVEN 2006.01.14	SIZE: A3	SHEET: 1 OF 1 REV: 005
CUSTOMER COPY					