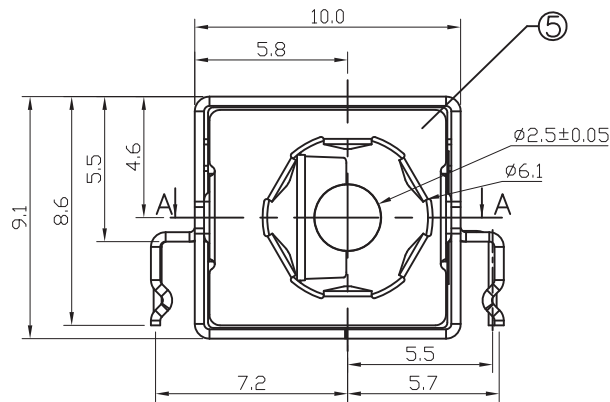
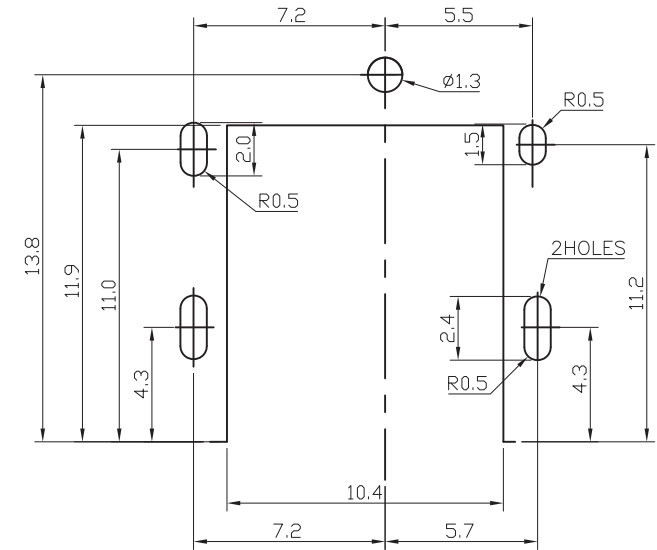
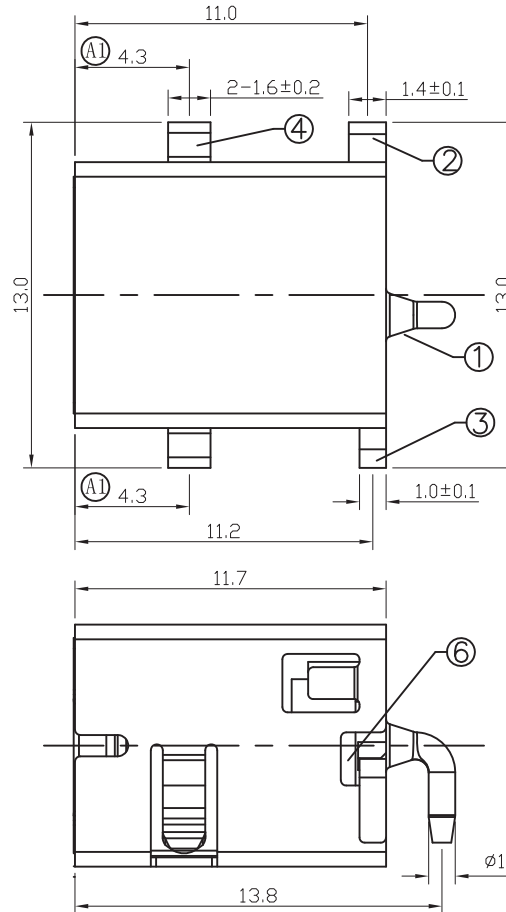
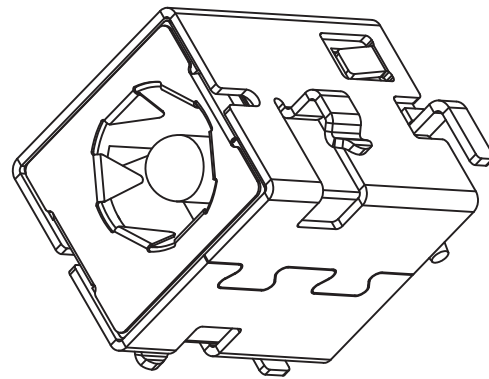


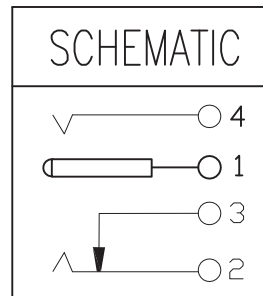
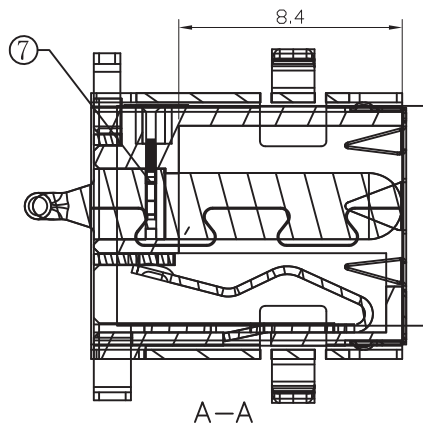
* REVISIONS

LTR	DESCRIPTION	DATE	REVISED	APPROVED
A1*2	更新图面, 符合实品	2014.06.27	H. RP	GAOWEI



T:1.6 Dimensions of PC board holes
Tolerance : ±0.1(Printed-top view)

LEAD FREE



UNLESS OTHERWISE SPECIFIED, TOLERANCE ON DECIMAL:±0.3

7	FLAT PIECE	1	SUS301		
6	HOUSING	1	PA9T		UL-94V0(BLACK)
5	SHIELD	1	SUS301	t=0.10	
4	CONTACT FOOT	1	C2680	t=0.35	MB:Cu MATTE Sn PLATED
3	CURVE PIECE	1	C2680	t=0.40	MB:Cu MATTE Sn PLATED
2	SPRING PIECE	1	C5191	t=0.30	MB:Cu MATTE Sn PLATED
1	PIN	1	H59(COPPER ALLOY)		MB:Cu MATTE Sn PLATED
LTR	PART NAME		QTY	MATERIAL	REMARK
DWN	ANJOU	DATE	2009.06.10	3RD ANGLE PROJECTION	NAME DC POWER JACK
CHKD	ANJOU	DATE	2009.06.10	UNIT: mm	CAT. NO. 2DC-W020-71BY
APVD	GIEVEN	DATE	2009.06.10		DWN.NO. 02-020-71 003
SINGATRON U.S.A.					