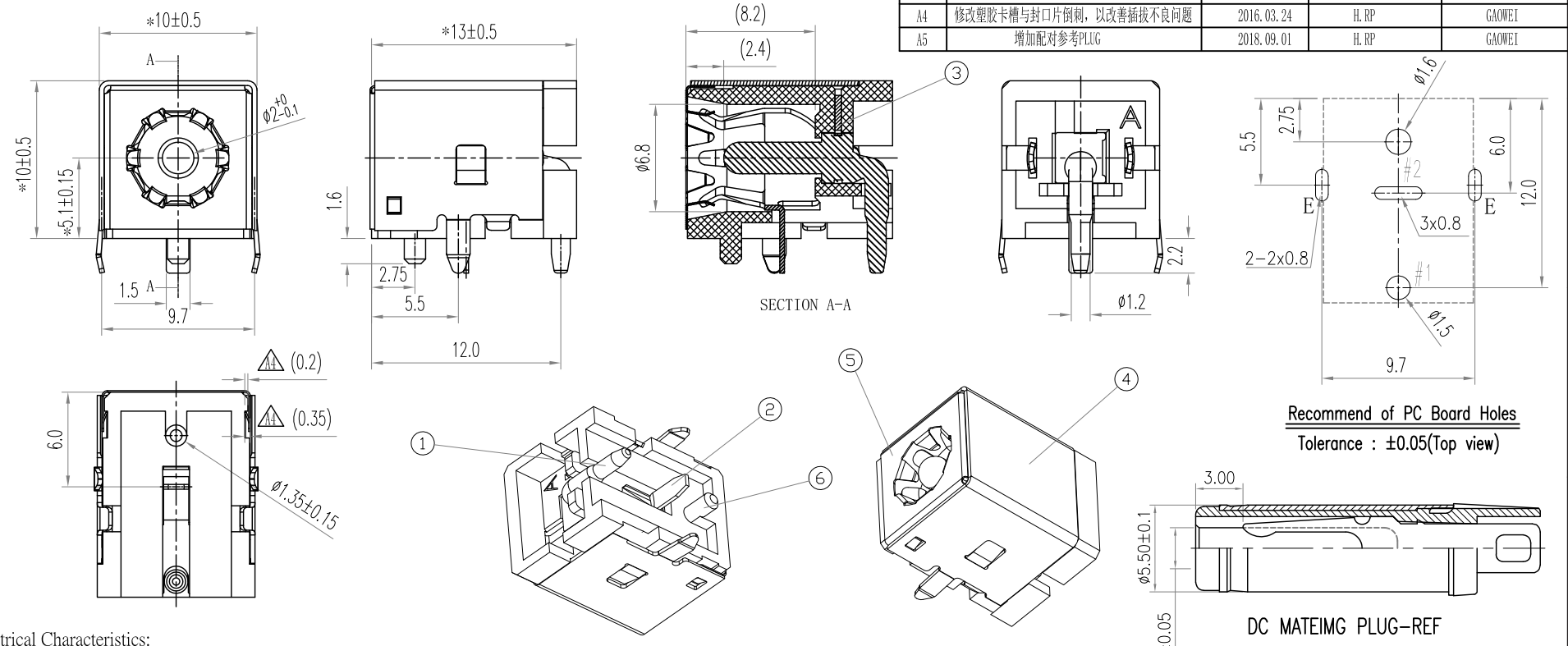


“*” : INDICATES THE KEY DIMENSIONS [“*”為重點尺寸]

* REVISIONS

LTR	DESCRIPTION	DATE	REVISED	APPROVED
△ X 2	變更零件鍍層,防止高溫聚錫不良.	2013.03.21	ANJOU	GIEVEN
003	更新圖面	2014.10.31	H. RP	GAOWEI
A4	修改塑膠卡槽與封口片倒刺,以改善插拔不良問題	2016.03.24	H. RP	GAOWEI
A5	增加配對參考PLUG	2018.09.01	H. RP	GAOWEI



Recommend of PC Board Holes
Tolerance : ±0.05(Top view)

- Notes:
- Electrical Characteristics:
 - Rating : DC 20 V 8 A ;
 - Contact Resistance: 30mΩ Max.(Initial),
Between plug and contact 100mΩ Max;
(Final) After Life test: ≤60mΩ ;
 - Dielectric Withstanding Voltage: 500V AC for One Minute ;
 - Insulation Resistance: 100MΩ Min. Measured By 500 VDC;
 - Mechanical Characteristics:
 - Plug Insertion Force 0.3~3.0Kgf (initial),
0.3~2.0Kgf (Final) life test;
 - Plug Extraction Force: 0.3~3.0Kgf (initial),
0.3~2.0Kgf (Final) life test;
 - Durability Test: 5,000 Cycles min;
 - Operating temperature:-25°C ~ +70°C;
 - Soldering Heat Resistance Reflow Soldering 260°C;
 - Plug Interface Dimensions Conform To EIAJ RC-5321 Spec;
 - Packaging:Tape Reel;

CAT. NO.	PIN	SCHEMATIC
2DC-W020-88JSA	Ø2.0	

HALOGEN FREE

6	HOUSING	1	PA10T	UL-94V0(BLACK)
5	GROUND SHIELD	1	C5191 t=0.30	Ni(40u"min) PLATED △
4	SHIELD PLATE	1	SUS301 t=0.10	
3	PEG	1	C2680 t=0.40	
2	TIP SPRING	1	C5191 t=0.30	MB:Ni(40u"min) Ag(10u"min) PLATED△
1	CENTER PIN	1	ZINC ALLOY	Ni(40u"min) PLATED
LTR	PART NAME	QTY	MATERIAL	REMARK

-TOLERANCES- UNLESS OTHERWISE SPECIFIED 公差		Singatron Enterprise Co., Ltd.		
X.X ±0.30	X.X" ±3"	TITLE	DC POWER JACK	
X.XX ±0.20	X.XX" ±1"	DWN	ANJOU2011.04.21	PART NO. 2DC-W020-88JSA
X.XXX ±0.15		CHKD	ANJOU2011.04.21	SCALE 1:1 UNIT: mm
		APVD	GIEVEN2011.04.21	SIZE: A3 SHEET:1 OF 1 REV: A5
				CUSTOMER COPY