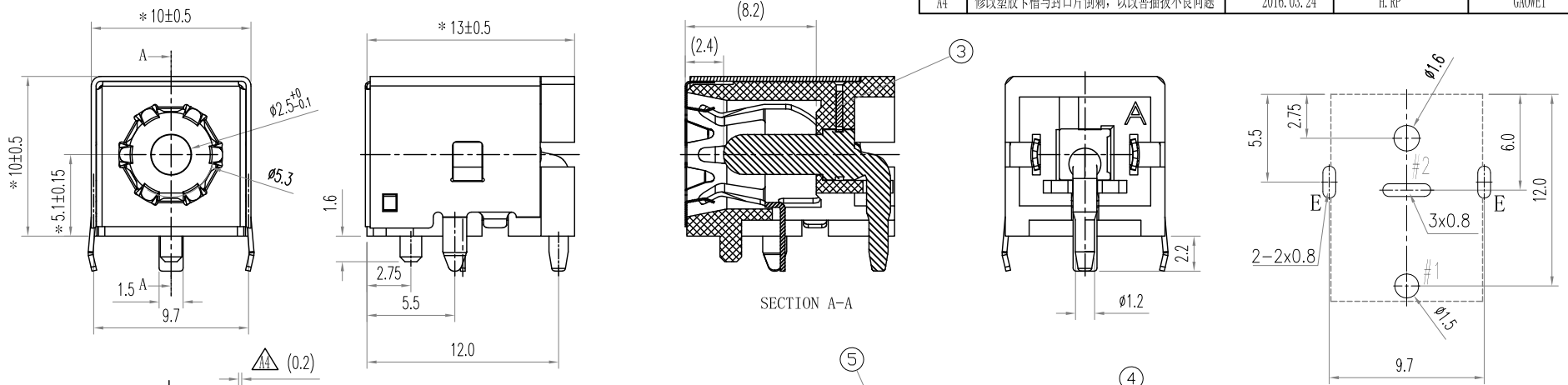


“*” : INDICATES THE KEY DIMENSIONS [“*”為重點尺寸]

* REVISIONS				
LTR	DESCRIPTION	DATE	REVISED	APPROVED
X 2	變更零件鍍層,防止高溫聚錫不良.	2013.03.21	ANJOU	GIEVEN
003	更新圖面	2014.10.31	H. RP	GAOWEI
A4	修改塑膠卡槽与封口片倒刺,以改善插拔不良問題	2016.03.24	H. RP	GAOWEI



Recommend of PC Board Holes
Tolerance : ± 0.05 (Printed-Top view)

CAT. NO.	PIN	SCHEMATIC
2DC-W020-88JSB	$\phi 2.5$	#1
		#2

- Notes:
- Electrical Characteristics:
 - Rating : DC 20 V 8 A ;
 - Contact Resistance: $30m\Omega$ Max.(Initial),
Between plug and contact $100m\Omega$ Max;
(Final) After Life test: $\leq 60m\Omega$;
 - Dielectric Withstanding Voltage: 500V AC for One Minute ;
 - Insulation Resistance: $100M\Omega$ Min. Measured By 500 VDC;
 - Mechanical Characteristics:
 - Plug Insertion Force $0.3 \sim 2.0Kgf$ (initial),
 $0.3 \sim 2.0Kgf$ (Final) life test;
 - Plug Extraction Force: $0.3 \sim 2.0Kgf$ (initial),
 $0.3 \sim 2.0Kgf$ (Final) life test;
 - Durability Test: 5,000 Cycles min;
 - Operating temperature: $-25^{\circ}C \sim +70^{\circ}C$;
 - Soldering Heat Resistance Reflow Soldering $260^{\circ}C$;
 - Plug Interface Dimensions Conform To EIAJ RC-5321 Spec;
 - Packaging: Tape Reel;

HALOGEN FREE

6	HOUSING	1	PA10T	UL-94V0(BLACK)
5	GROUND SHIELD	1	C5191 t=0.30	Ni(40u"min) PLATED Δ
4	SHIELD PLATE	1	SUS301 t=0.10	
3	PEG	1	C2680 t=0.40	
2	TIP SPRING	1	C5191 t=0.30	MB: Ni(40u"min) Ag(10u"min) PLATED Δ
1	CENTER PIN	1	ZINC ALLOY	Ni(40u"min) PLATED

LTR	PART NAME	QTY	MATERIAL	REMARK
-TOLERANCES- UNLESS OTHERWISE SPECIFIED 公差				
X.X	± 0.30	X.X"	$\pm 3^{\circ}$	
X.XX	± 0.20	X.XX"	$\pm 1^{\circ}$	
X.XXX	± 0.15			

Singatron Enterprise Co., Ltd.

DC POWER JACK

DWN ANJOU 2011.04.21 **PART NO. 2DC-W020-88JSB**

CHKD ANJOU 2011.04.21 **SCALE 1:1 UNIT: mm**

APVD GIEVEN 2011.04.21 **SIZE: A3 SHEET: 1 OF 1 REV: 003**

CUSTOMER COPY