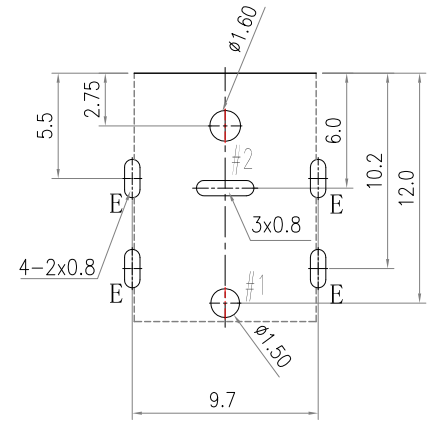
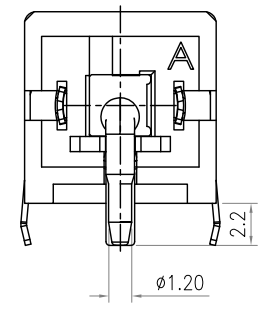
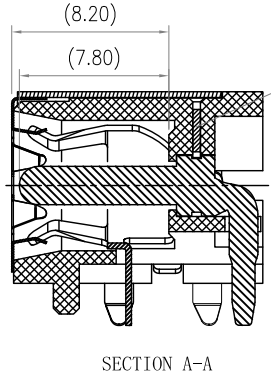
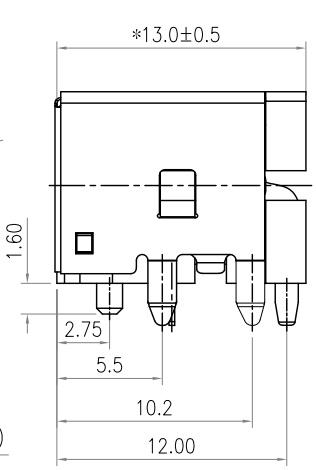
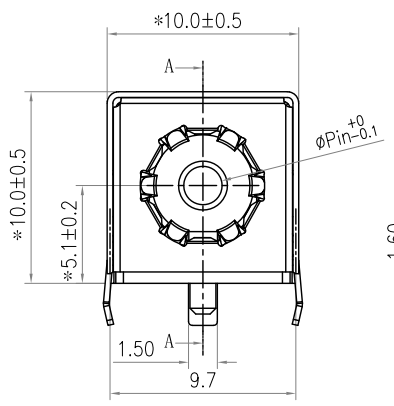
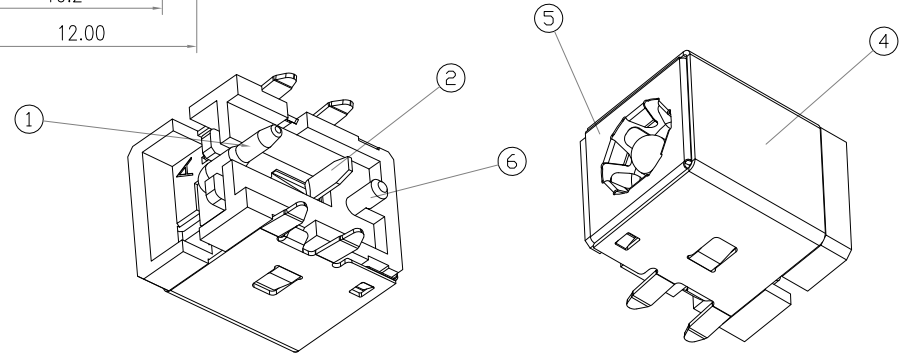
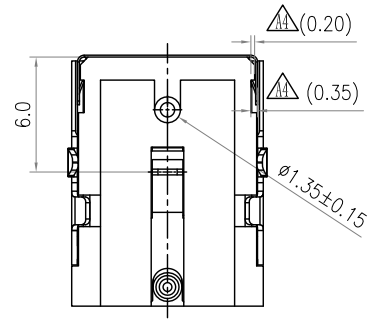


\*: INDICATES THE KEY DIMENSIONS [\*為重點尺寸]

* REVISIONS				
LTR	DESCRIPTION	DATE	REVISED	APPROVED
X 2	變更零件鍍層,防止高溫聚錫不良.	2013.03.21	ANJOU	GIEVEN
003	更新圖面	2014.10.31	H. RP	GAOWEI
A4	修改塑膠卡槽與封口片倒刺,以改善插拔不良問題	2016.03.24	H. RP	GAOWEI



Recommend of PC Board Holes  
Tolerance : ±0.05(Printed-Top view)



CAT. NO.	PIN	SCHEMATIC
2DC-W020-88A	φ2.0	#1
2DC-W020-88B	φ2.5	#2

- Notes:
- Electrical Characteristics:
    - Rating : DC 20 V 8 A ;
    - Contact Resistance: 30mΩ Max.(Initial),  
Between plug and contact 100mΩ Max;  
(Final) After Life test: ≤60mΩ ;
    - Dielectric Withstanding Voltage: 500V AC for One Minute ;
    - Insulation Resistance: 100MΩ Min. Measured By 500 VDC;
  - Mechanical Characteristics:
    - Plug Insertion Force 0.3~2.0Kgf (initial),  
0.3~2.0Kgf (Final) life test;
    - Plug Extraction Force: 0.3~2.0Kgf (initial),  
0.3~2.0Kgf (Final) life test;
  - Durability Test: 5,000 Cycles min;
  - Operating temperature: -25°C ~ +70°C;
  - Soldering Heat Resistance Reflow Soldering 260°C;
  - Plug Interface Dimensions Conform To EIAJ RC-5321 Spec;
  - Packaging: Tape Reel;

### HALOGEN FREE

6	HOUSING	1	PA10T	UL-94V0(BLACK)
5	GROUND SHIELD	1	C5191 t=0.30	Ni PLATED
4	SHIELD PLATE	1	SUS301 t=0.10	
3	PEG	1	C2680 t=0.40	
2	TIP SPRING	1	C5191 t=0.30	MB:Ni Ag PLATED
1	CENTER PIN	1	ZINC ALLOY	Ni PLATED
LTR	PART NAME	QTY	MATERIAL	REMARK

-TOLERANCES- UNLESS OTHERWISE SPECIFIED 公差				
X.X	±0.30	X.X"	±3°	
X.XX	±0.20	X.XX"	±1°	
X.XXX	±0.15			

Singatron Enterprise Co., Ltd.				
TITLE	DC POWER JACK			
DWN	ANJOU 2011.04.21	PART NO.	2DC-W020-88	
CHKD	ANJOU 2011.04.21	SCALE	1:1	UNIT: mm
APVD	GIEVEN 2011.04.21	SIZE:	A3	SHEET: 1 OF 1
REV: 003				
CUSTOMER COPY				