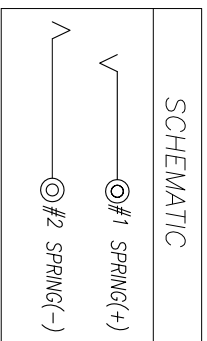
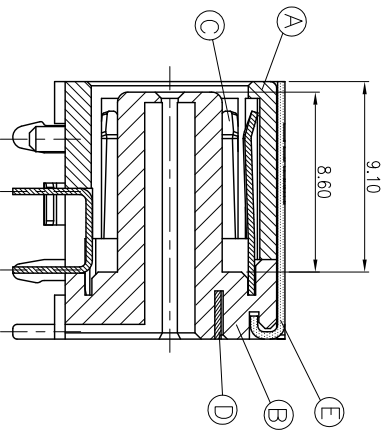
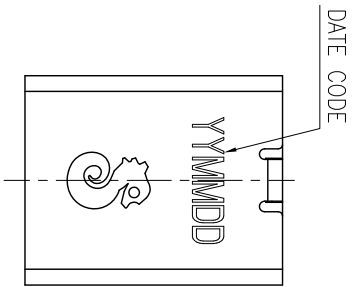
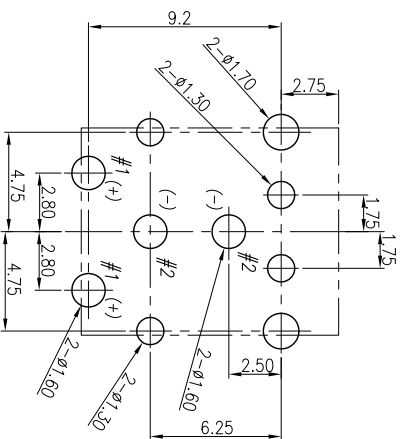
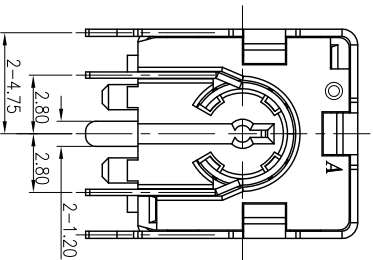
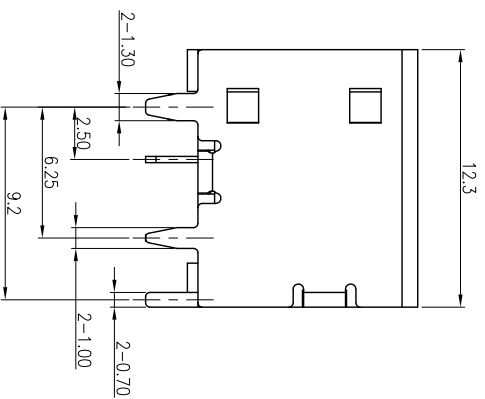
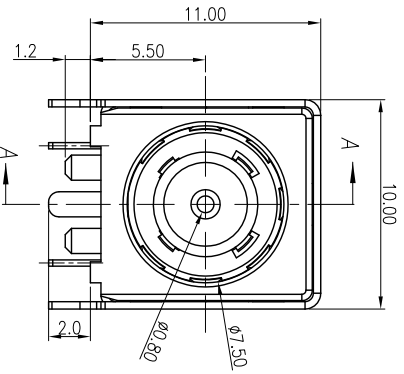


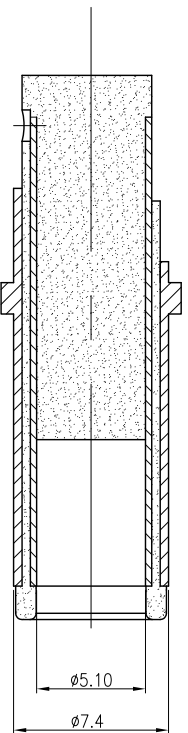
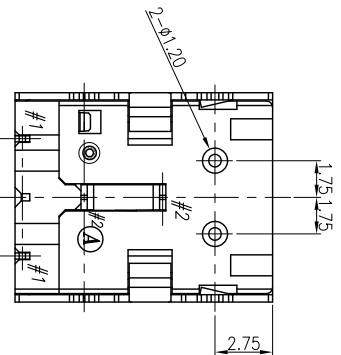
REV.	ECN NO OR DESCRIPTION	REVISED	DATE
A	PDR NO.:1101008-6A	FW	2011.01.06
B	ECN NO.:S120771	SpringWong	2012.07.31
C	ECN NO.:S120720	ANDY	2013.04.01



- NOTE:
- SEE 2DC1003 SERIES SPECIFICATION.
  - PACKAGING: TAPE & REEL
  - TO CONFORM TO SINGATRON HAZARDOUS SUBSTANCE FREE SPEC.
  - HALOGEN FREE PRODUCT IDENTIFICATION MARK ON JACK:
  - HALOGEN FREE PRODUCT IDENTIFICATION LABEL ON PACKAGING:
  - FOR REFLOW SOLDERING LEAD-FREE PROCESS.
  - PRINTED DATE CODE "YYMMDD" ON TOP OF CONNECTOR.



RECOMMENDED P.C.B LAYOUT (t=1.6mm)  
TOP VIEW (Tolerance:±0.05)



MATING PLUG: OD ø7.4 ;  
Tolerance:±0.05

NO.	DESCRIPTION	QTY	MATERIAL	PLATING & COLOR
E	SHELL	1	BRASS 0.35t	NICKEL(60u Min.) PLATING
D	SPRING (+)	1	COPPER ALLOY 0.3t	GOLD FLASH(~3u) PLATING
C	SPRING (-)	1	COPPER ALLOY 0.3t	GOLD FLASH(~3u) PLATING
B	COVER	1	HIGH TEMP. THERMOPLASTIC	BLACK COLOR
A	HOUSING	1	HIGH TEMP. THERMOPLASTIC	BLACK COLOR

UNLESS OTHERWISE SPECIFIED TOLERANCES



TITLE: DC POWER JACK

DWN: ANDY PART NO. 2DC1003-000211F

CHKD: TOM SCALE: 4:1 UNIT: mm

APVD: MAX SIZE: A3 SHEET: 1 OF 1 REV: C

CUSTOMER COPY

文件編號: 00-06-043-A