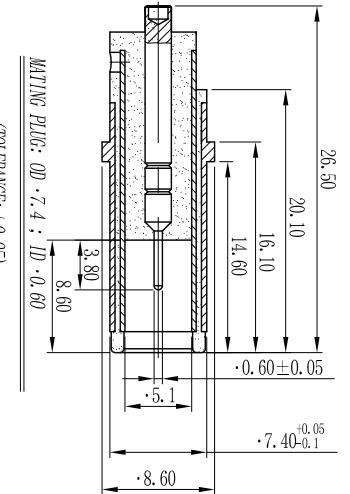
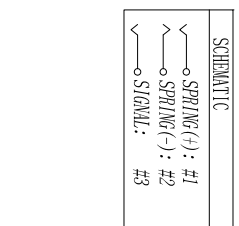
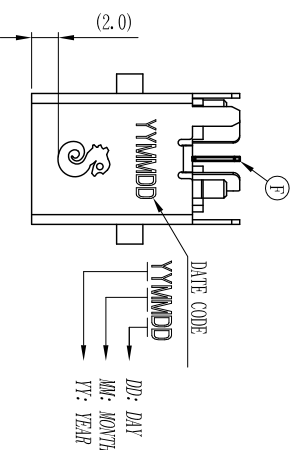
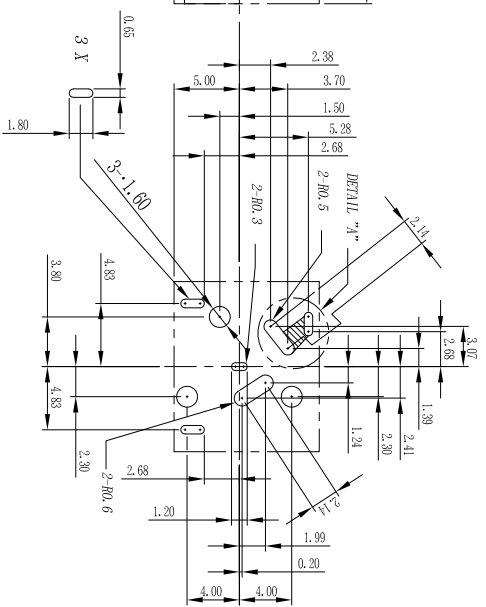
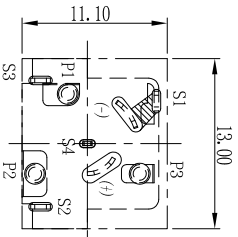
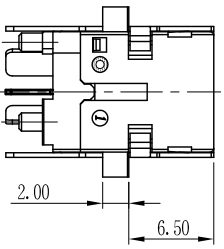
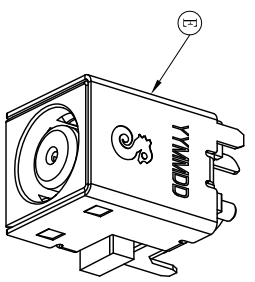
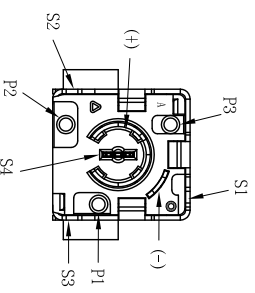
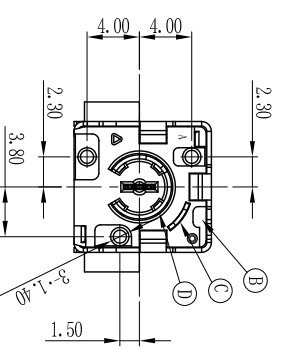
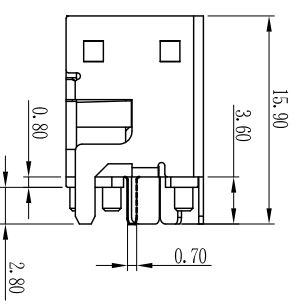
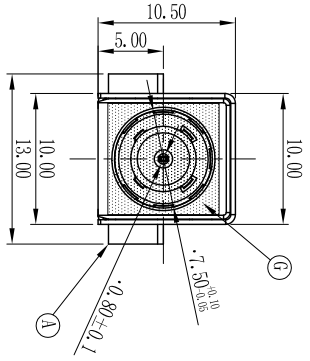


REV.	ECN NO OR DESCRIPTION	REVISED	DATE
A	PNR NO. T091013-2A	Bobbie	2010.03.05
B	ECN NO: S100400 圖面修正	Tom	2010.04.02



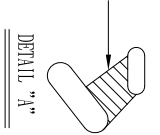
- SPECIFICATIONS:
- ELECTRICAL CHARACTERISTICS:
 - 1-1. RATING: 20V 1A
 - 1-2. CONTACT RESISTANCE: 20m MAX (INITIAL)
 - 1-3. DIELECTRIC WITHSTANDING VOLTAGE: 150V AC FOR ONE MINUTE
 - 1-4. INSULATION RESISTANCE: 100M MIN. MEASURED BY 500 VDC
 - MECHANICAL CHARACTERISTICS:
 - 2-1. INSERTION FORCE: 3.0 KGf Max.
 - 2-2. WITHDRAWAL FORCE: 0.55 KGf Min.
 - LIFE TEST: 5,000 CYCLES MIN.
 - OTHER GENERAL SPEC. TO REFER "20V100S SERIES SPEC".
 - TO CONFORM TO SIMILATION HAZARDOUS SUBSTANCE FREE SPEC.
 - HALOGEN FREE PRODUCT IDENTIFICATION MARK
 - HALOGEN FREE PRODUCT IDENTIFICATION MARK ON THE PACKAGING.
 - FOR BELLOW SOLDERING LEAD-FREE PROCESS.

ON PRODUCT:



Recommended PCB Layout
 <TOP VIEW> TOLERANCE: ±0.05
 (PCB THICKNESS: 1.5mm)

The area can
 weld (comprehend
 Spring (-) & Shell)



NO	DESCRIPTION	MATERIAL	PLATING & COLOR
A	HOUSING	NYLON	BLACK COLOR
B	COVER	HIGH TEMP. THERMOPLASTIC	BLACK COLOR
C	SPRING (-)	COPPER ALLOY 0.3t	CONTACT AREA: Au-30u"
D	SPRING (+)	COPPER ALLOY 0.3t	CONTACT AREA: Au-30u"
E	SHELL	BRASS 0.35t	WICED (60u" Min.) PLATING
F	SIGNAL	COPPER ALLOY 0.3t	CONTACT AREA: Au-30u"
G	INSULATION FILM	NYLAR 0.075t	TRANSPARENT

DECIMALS:	ANGLES:
X : ±0.5	X : ±2°
X.X : ±0.3	X.X : ±1°
X.XX : ±0.2	

ITEM	DESCRIPTION
DRAWN	IN 2010.04.02
CHECKED	IN 2010.04.02
APPROVED	IN 2010.04.02

Singaton Enterprise Co., Ltd.
 信音企業股 有限公司

PART NO. 20C1003-000313
 SCALE 4:1
 SHEET: 1 OF 1
 REV: B
 CUSTOMER COPY