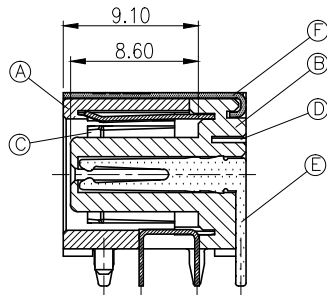
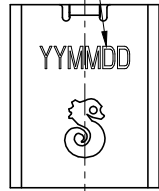
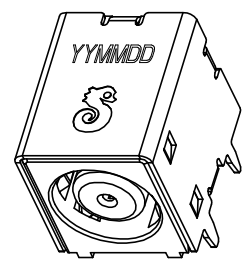


REV.	ECN NO OR DESCRIPTION	REVISED	DATE
B	ECN NO.T080204	LILI	2008.12.29
C	ECN NO.S120720	ANDY	2013.04.01
D	ECN NO.SS130921	SEAN	2014.01.02

DATE CODE YYMMDD
 DD: DAY
 MM: MONTH
 YY: YEAR

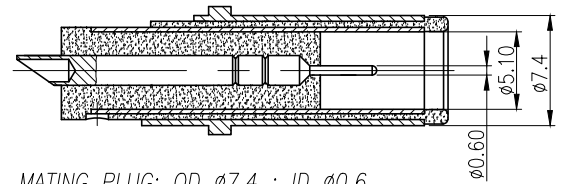
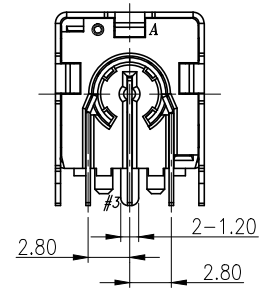
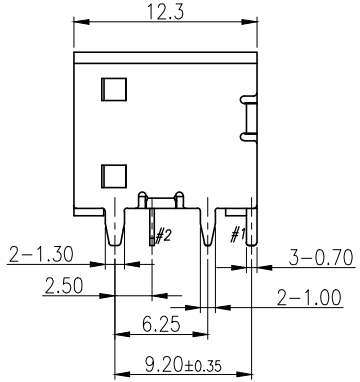
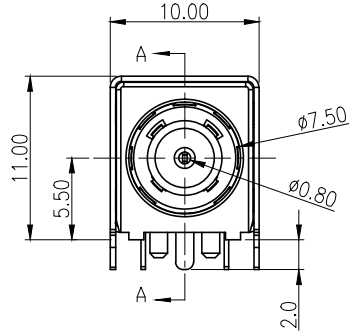


SECTION A-A
SCALE 1:1

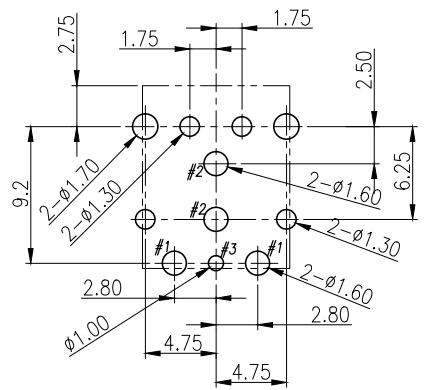
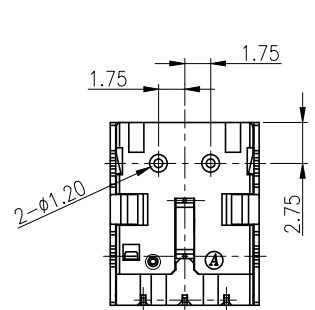


NOTE:

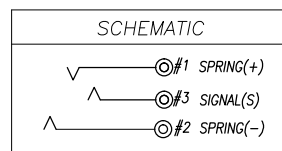
- ELECTRICAL CHARACTERISTICS:
 - RATING: 20V 10A
 - CONTACT RESISTANCE: 30mΩ MAX.(INITIAL)
 - DIELECTRIC WITHSTANDING VOLTAGE: 500V AC FOR ONE MINUTE.
 - INSULATION RESISTANCE: 100MΩ MIN. MEASURED BY 500 VDC
- MECHANICAL CHARACTERISTICS:
 - INSERTION FORCE : 3.0 KGF MAX
 - WITHDRAWAL FORCE : 0.35 KGF MIN
- LIFE TEST: 5,000 CYCLES MIN.
- TO CONFORM TO SINGATRON HAZARDOUS SUBSTANCE FREE SPEC.
- HALOGEN FREE PRODUCT IDENTIFICATION MARK ON JACK:
- HALOGEN FREE PRODUCT IDENTIFICATION LABEL ON PACKAGING:
- FOR REFLOW SOLDERING LEAD-FREE PROCESS.
- PRINTED DATE CODE "YYMMDD" ON TOP OF CONNECTOR.



MATING PLUG: OD $\phi 7.4$; ID $\phi 0.6$
Tolerance: ± 0.05



RECOMMENDED P.C.B LAYOUT (t=1.6mm)
TOP VIEW (Tolerance: ± 0.05)



NO	DESCRIPTION	QTY	MATERIAL	PLATING & COLOR
F	SHELL	1	BRASS 0.35t	NICKEL(60u"Min.) PLATING
E	SIGNAL (S)	1	COPPER ALLOY 0.3t	GOLD FLASH(1~3u") PLATING
D	CONTACT (+)	1	COPPER ALLOY 0.3t	GOLD FLASH(1~3u") PLATING
C	SPRING (-)	1	COPPER ALLOY 0.3t	GOLD FLASH(1~3u") PLATING
B	COVER	1	HIGH TEMP. THERMOPLASTIC UL 94V-0	BLACK
A	HOUSING	1	HIGH TEMP. THERMOPLASTIC UL 94V-0	BLACK

UNLESS OTHERWISE SPECIFIED TOLERANCES	DECIMALS:	ANGLES:	TITLE	DC POWER JACK		
	X : ± 0.5	X : $\pm 2^\circ$	DWN SEAN	PART NO.	2DC1003-001111	
	X.X : ± 0.3	X.X : $\pm 1^\circ$	CHKD CERRY	SCALE: 3:1	UNIT: mm	
	X.XX : ± 0.2		APVD MAX	SIZE: A3	SHEET: 1 OF 1	REV: D

CUSTOMER COPY