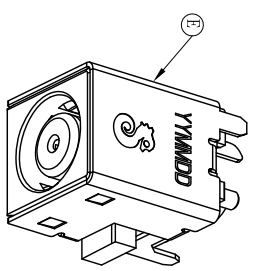
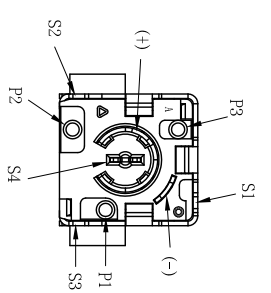
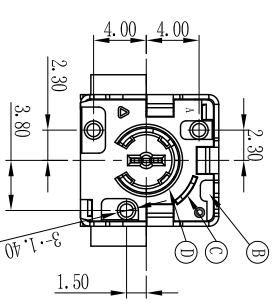
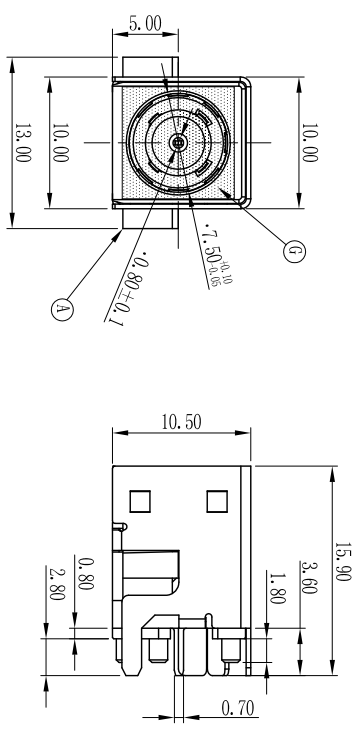
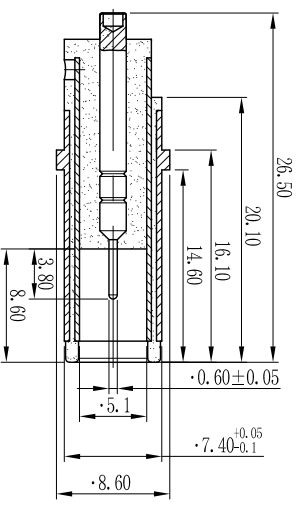


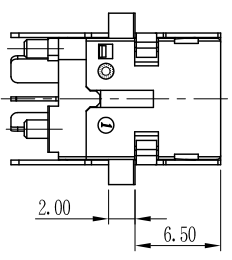
DATE CODE
 YMMDD
 DD: DAY
 MM: MONTH
 YY: YEAR

SCHEMATIC
 ○ SPRING(+): #1
 ◊ SPRING(-): #2
 ◊ SIGNAL: #3

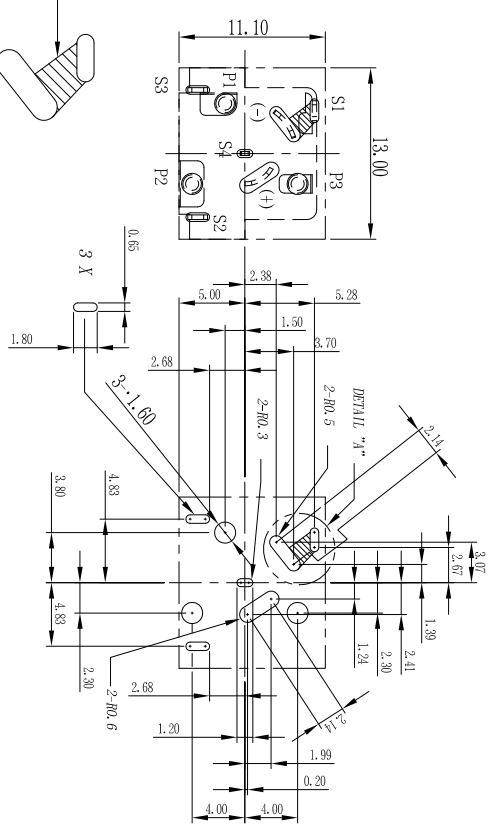
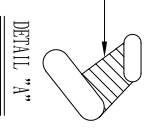


- SPECIFICATIONS:
- ELECTRICAL CHARACTERISTICS:
 - 1-1. RATING: 20V 13A
 - 1-2. CONTACT RESISTANCE: 20m MAX (INITIAL)
 - 1-3. DIELECTRIC WITHSTANDING VOLTAGE: 150V AC FOR ONE MINUTE.
 - 1-4. INSULATION RESISTANCE: 100M MIN. MEASURED BY 500 VDC
 - MECHANICAL CHARACTERISTICS:
 - 2-1. INSERTION FORCE: 3.0 KGF Max.
 - 2-2. WITHDRAWAL FORCE: 0.35 KGF Min.
 - LIFE TEST: 5,000 CYCLES MIN.
 - OTHER GENERAL SPEC. TO REFER "2XC003 SERIES SPEC."
 - TO CONFORM TO SINGATON HAZARDOUS SUBSTANCE FREE SPEC.
 - HAZARD FREE PRODUCT IDENTIFICATION MARK
 - HAZARD FREE PRODUCT IDENTIFICATION LOGO ON THE PACKAGING.
 - FOR REFLOW SOLDERING LEAD-FREE PROCESS.

REV.	ECN NO OR DESCRIPTION	REVISED	DATE
A	PDR NO. 7091124-44	Bobbie	2010.03.05
B	ECN NO: S100402圖面修正	Tom	2010.04.02
C	ECN NO: S101023增加尺寸標準註	Srinna	2010.10.28



The area can weld (comprehend Spring (-) (AShe11))



Recommended PCB Layout
 <TOP VIEW> TOLERANCE: ±0.05
 (PCB THICKNESS: 1.5mm)

NO	DESCRIPTION	QTY	MATERIAL	PLATING & COLOR
A	HOUSING	1	HIGH TEMP. THERMOPLASTIC UL-94V-0	BLACK COLOR
B	COVER	1	HIGH TEMP. THERMOPLASTIC	BLACK COLOR
C	SPRING (+)	1	COPPER ALLOY 0.3t	CONTACT AREA: GOLD FLASH
D	SPRING (-)	1	COPPER ALLOY 0.3t	CONTACT AREA: GOLD FLASH
E	SHELL	1	BRASS 0.35t	NICKEL (60μ Min.) PLATING
F	SIGNAL	1	COPPER ALLOY 0.3t	CONTACT AREA: GOLD FLASH
G	INSULATION FILM	1	NYLAR 0.075t	TRANSPARENT

UNLESS OTHERWISE SPECIFIED TOLERANCES

DECIMALS:	ANGLES:
X : ±0.5	X : ±2°
X.X : ±0.3	X.X : ±1°
X.XX : ±0.2	

Singaton Enterprise Co., Ltd.
信音企業股・有限公司

TITLE	DC POWER JACK
DWG	9mm 20V 13A
CHKD	Scale 4:1
APVD	SIZE: A3

PART NO. 2DC1003-001313
 SHEET: 1 OF 1
 REV: C
 CUSTOMER COPY