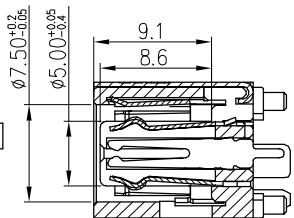
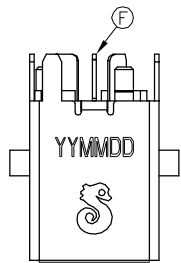
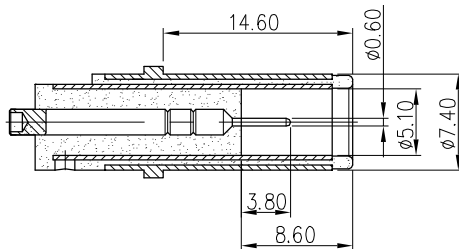
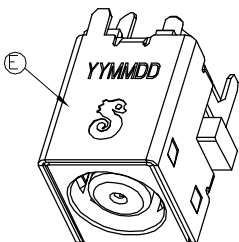


REV.	ECN NO OR DESCRIPTION	REVISED	DATE
A	PDR NO.: T170317-1A	Wenshuo	2017.12.20



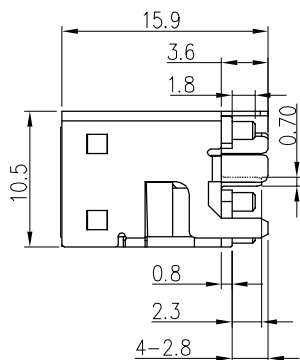
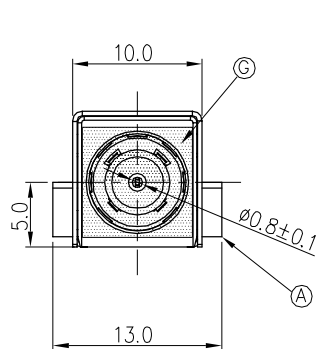
SECTION A-A



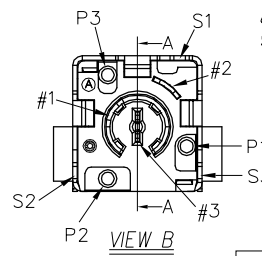
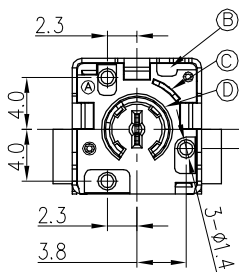
MATING PLUG: OD $\phi 7.4$; ID $\phi 0.60$
(TOLERANCE: ± 0.05)

SPECIFICATIONS:

- ELECTRICAL CHARACTERISTICS:
 - RATING: 20V 10A
 - CONTACT RESISTANCE: 30m Ω MAX.(INITIAL)
 - DIELECTRIC WITHSTANDING VOLTAGE: 150V AC FOR ONE MINUTE.
 - INSULATION RESISTANCE: 100M Ω MIN. MEASURED BY 500 VDC
- MECHANICAL CHARACTERISTICS:
 - INSERTION FORCE : 5.0 KGF Max.
 - WITHDRAWAL FORCE : 1.5 KGF MIN. (AFTER LIFE TEST 0.8KGF MIN)
- LIFE TEST: 2,000 CYCLES MIN.
- OTHER GENERAL SPEC. TO REFER "2DC1003-001413F SPEC".
- TO CONFORM TO SINGATRON HAZARDOUS SUBSTANCE FREE SPEC.
- HALOGEN FREE PRODUCT IDENTIFICATION MARK ON PRODUCT:
- HALOGEN FREE PRODUCT IDENTIFICATION LOGO ON THE PACKAGING:
- FOR REFLOW SOLDERING LEAD-FREE PROCESS.
- PRINTED DATE CODE "YYMDD" ON TOP OF CONNECTOR.
- THE PANEL'S ID MUST BE GREATER THAN THE PLUG'S OD WHICH MUST HAVE A DIFFERENCE OF LESS THAN OR EQUAL TO 0.5 mm.(AS SHOWN IN FIGURE 1.)



VIEW B



VIEW B

SCHEMATIC	
	#1 SPRING(+)
	#2 SPRING(-)
	#3 SIGNAL

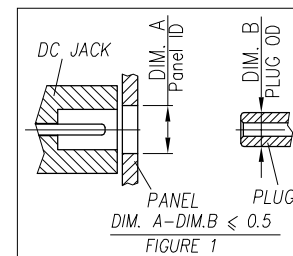
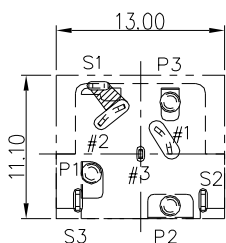
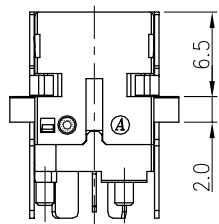
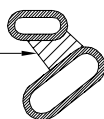


FIGURE 1



COPPER FOIL AREA

The area can weld (comprehend Spring(-)&Shell)



DETAIL "A"
NO SCALE

Recommended PCB Layout
<TOP VIEW> TOLERANCE: ± 0.05
(PCB THICKNESS: 1.5mm)

NO	DESCRIPTION	QTY	MATERIAL	PLATING & COLOR
G	INSULATION FILM	1	MYLAR 0.14t	TRANSPARENT
F	SIGNAL TERMINAL	1	COPPER ALLOY 0.3t	GOLD FLASH ON CONTACT AREA Sn 120u" ON SOLDER TAIL. ALL OVER Ni 50u"
E	SHELL	1	BRASS 0.35t	可焊鍍 Ni 60u"
D	SPRING (+)	1	COPPER ALLOY 0.3t	MATTE Sn 120u"
C	SPRING (-)	1	COPPER ALLOY 0.3t	ALL OVER Ni 50u"
B	COVER	1	HIGH TEMP. THERMOPLASTIC UL 94V-0	BLACK
A	HOUSING	1	HIGH TEMP. THERMOPLASTIC UL 94V-0	BLACK

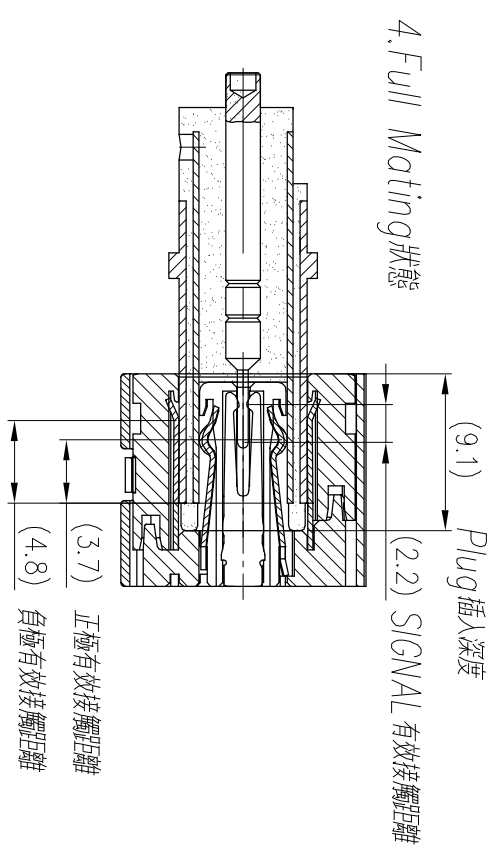
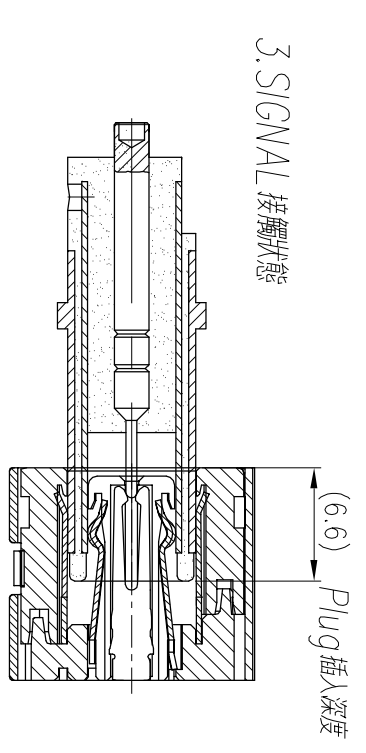
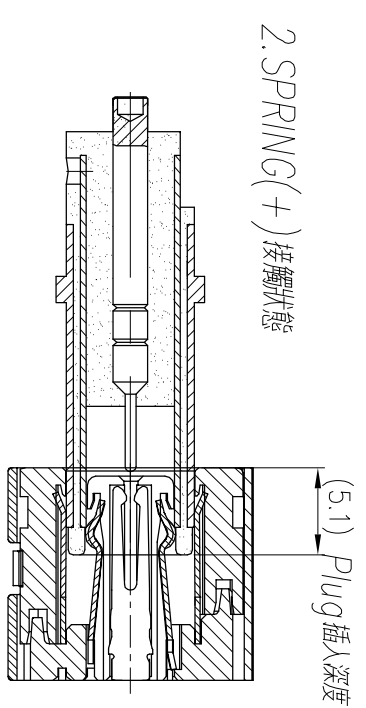
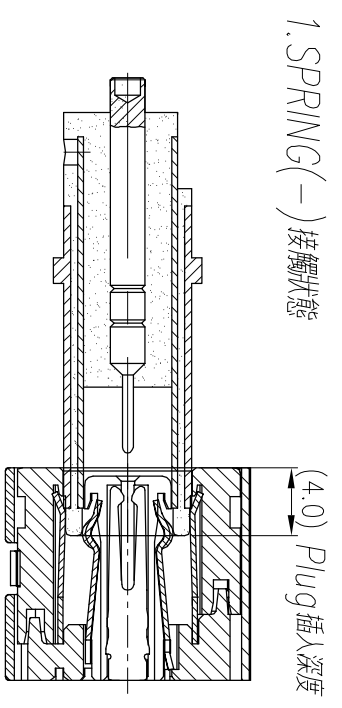
UNLESS OTHERWISE SPECIFIED TOLERANCES

Singatron Enterprise Co., Ltd.
信音企業股份有限公司

DECIMALS:	ANGLES:	TITLE	DC POWER JACK	
X : ± 0.5	X : $\pm 2^\circ$	DWN	Wenshuo	PART NO. 2DC1003-001413F
X.X : ± 0.3	X.X : $\pm 1^\circ$	CHKD	Sky	SCALE 4:1 UNIT: mm
X.XX : ± 0.2		APVD	Lussen	SIZE: A3 SHEET: 1 OF 2 REV: A

CUSTOMER COPY

REV.	ECN NO OR DESCRIPTION	REVISED	DATE
A	PDR NO.: T170317-1A	Wenshuo	2017.12.20



UNLESS OTHERWISE SPECIFIED TOLERANCES

Singatron Enterprise Co., Ltd.
信音企業股份有限公司

DECIMALS:	ANGLES:	TITLE	MATING DRAWING
X : ±0.5	X : ±2°	DWM	Wenshuo
X.X : ±0.3	X.X : ±1°	CHKD	Sky
X.XX : ±0.2		APVD	Lussen

PART NO.	SCALE	UNIT	SHEET	REV.
2DC1003-001413F	4:1	mm	2 OF 2	A

CUSTOMER COPY