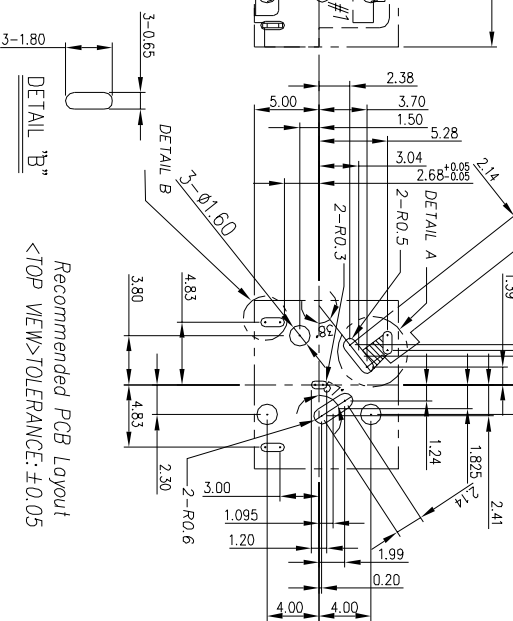
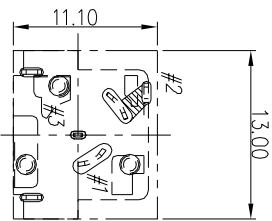
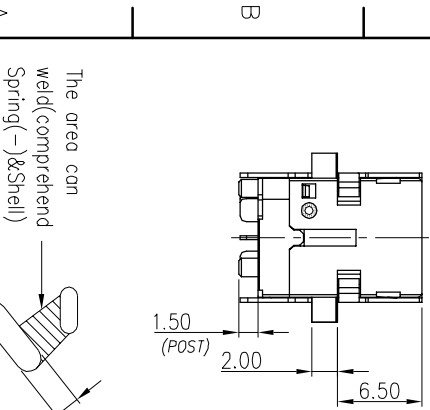
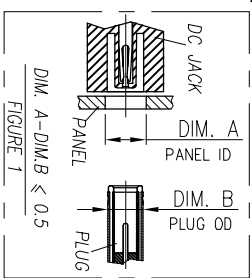
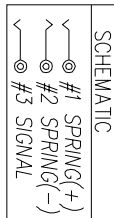
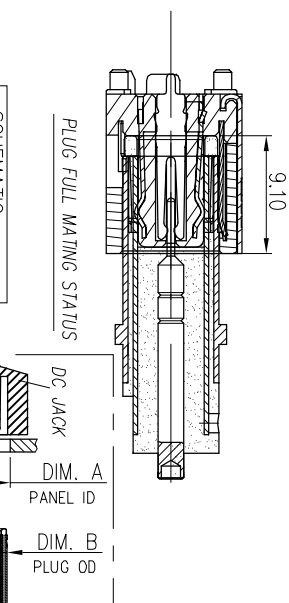
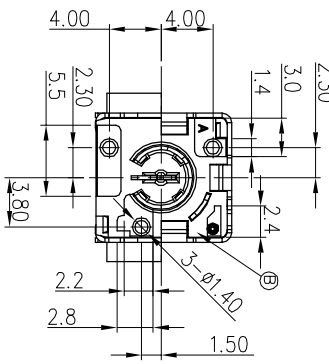
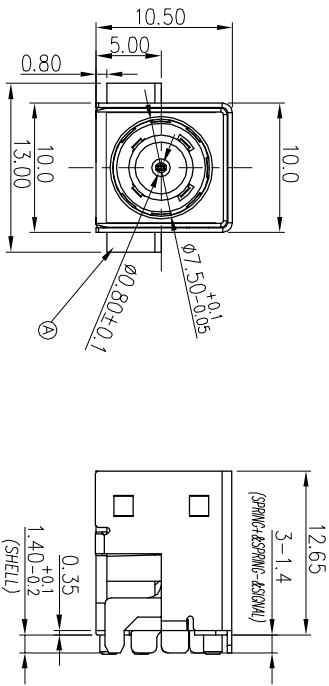


(TOLERANCE: ±0.05)
MATING PLUG

1. ELECTRICAL CHARACTERISTICS:
 1-1. RATING: 20V 13A
 1-2. CONTACT RESISTANCE: 20mΩ MAX (INITIAL), 30mΩ MAX (FINAL)
 1-3. DIELECTRIC WITHSTANDING VOLTAGE: 150V AC FOR ONE MINUTE
 1-4. INSULATION RESISTANCE: 100MΩ MIN, MEASURED BY 500 VDC
 2. MECHANICAL CHARACTERISTICS:
 2-1. INSERTION FORCE: 3.0 KGf Max.
 2-2. WITHDRAWAL FORCE: 0.35 KGf Min.
 3. LIFE TEST: 5,000 CYCLES MIN.
 4. OTHER GENERAL SPEC: TO REFER "20C1003-008313F" SPEC.
 5. TO CONFORM TO SINGATRON HAZARDOUS SUBSTANCE FREE SPEC.
 6. HALOGEN FREE PRODUCT IDENTIFICATION MARK ON PRODUCT.
 7. HALOGEN FREE PRODUCT IDENTIFICATION LOGO ON THE PACKAGING.
 8. FOR REFLOW SOLDERING LEAD-FREE PROCESS.
 9. THE PANEL'S ID MUST BE GREATER THAN THE PLUG'S OD WHICH MUST HAVE A DIFFERENCE OF LESS THAN OR EQUAL TO 0.5 mm (AS SHOWN IN FIGURE 1.)



NO	DESCRIPTION	MATERIAL	QTY	PLATING & COLOR
F	SIGNAL	COPPER ALLOY 0.3t	1	
E	SHELL	BRASS 0.35t	1	
D	SPRING (+)	COPPER ALLOY 0.3t	1	
C	SPRING (-)	COPPER ALLOY 0.3t	1	
B	COVER	HIGH TEMP. THERMOPLASTIC UL 94V-0	1	BLACK
A	HOUSING	HIGH TEMP. THERMOPLASTIC UL 94V-0	1	BLACK

Singatron Enterprise Co., Ltd.
 信晉企業股份有限公司

UNLESS OTHERWISE SPECIFIED TOLERANCES
 DECIMALS: ANGLES:
 X : ±0.5 X : ±2'
 XX : ±0.3 XX : ±1'
 XXX : ±0.2

TITLE	DC POWER JACK
DCM	ZHIXIANG PART NO. 2DC1003-008313F
CHKD	SCALE 4:1 UNIT: mm
APVD	SIZE: A3 SHEET: 1 OF 2 REV: C

CUSTOMER COPY

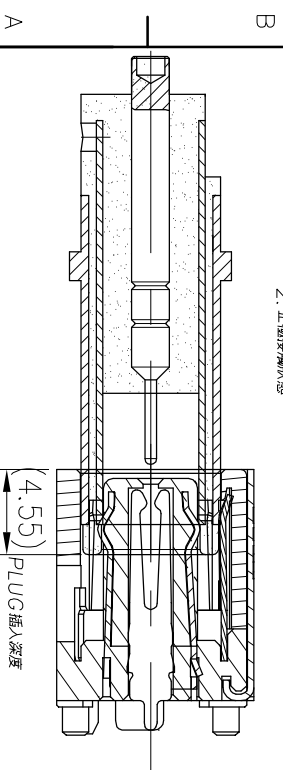
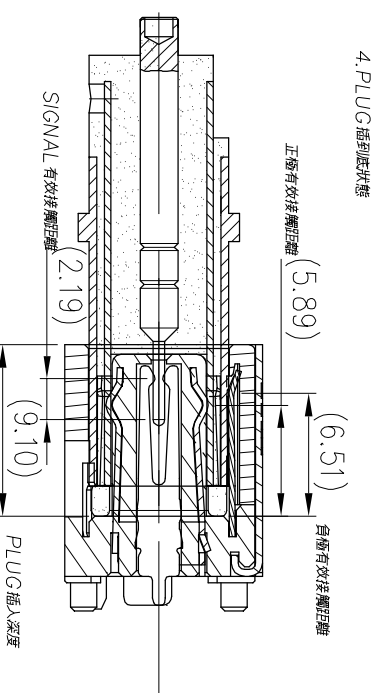
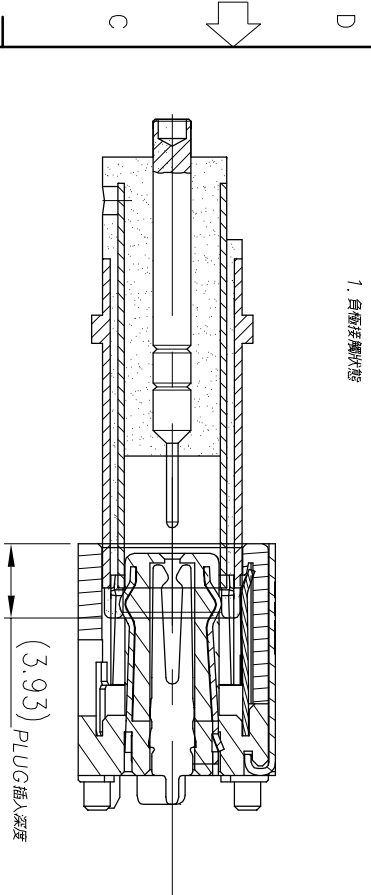
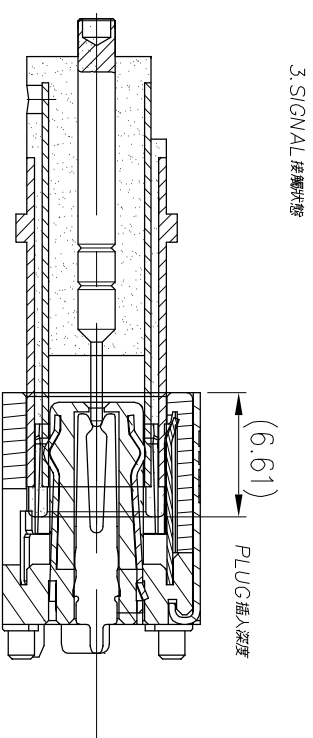
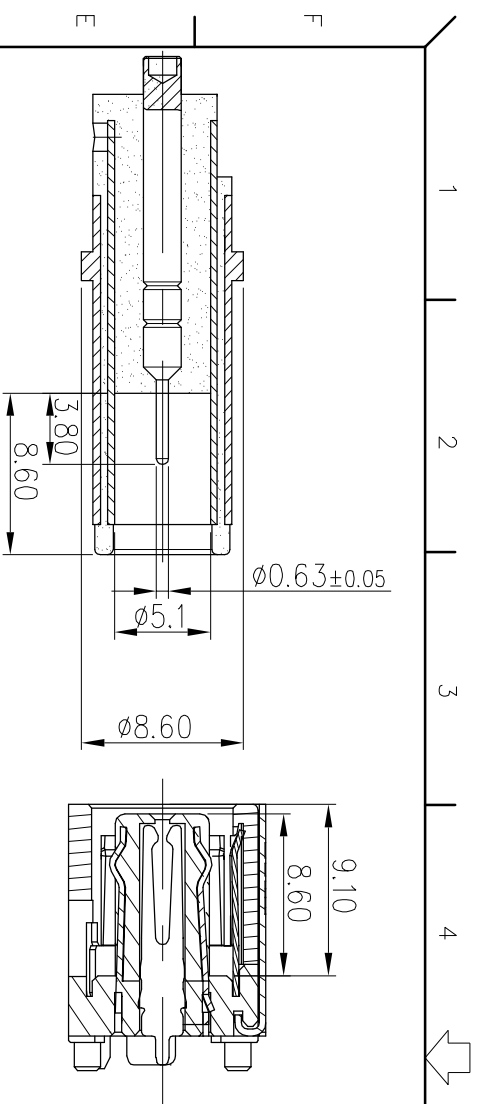
The area can weld (comprehend Spring(-) & Shell)

DETAIL "A"

DETAIL "B"

Recommended PCB Layout
 <TOP VIEW> TOLERANCE: ±0.05

REV.	ECN NO.	OR DESCRIPTION	REVISED	DATE
A	PDR NO. T150921-2A		ALLEN	2016.05.11
B	ECN NO. S160721-C		YUREN	2016.08.24
C	PDR NO. T190201-C		ZHIXIANG	2019.02.20



NO.	DESCRIPTION	QTY	MATERIAL	PLATING & COLOR
UNLESS OTHERWISE SPECIFIED TOLERANCES				
信音企業股份有限公司 Singatron Enterprise Co., Ltd.				
DECIMALS: ANGLES:				
X	: ±0.5	X	: ±2°	
X.X	: ±0.3	X.X	: ±1'	
X.XX	: ±0.2			
TITLE MATING DRAWING				
DWM	Zhixiang	PART NO.	2DC1003-008313F	
CHKD		SCALE	1:1	UNIT: mm
APVD		SIZE	A3	SHEET: 20F2
REV: C				
CUSTOMER COPY				