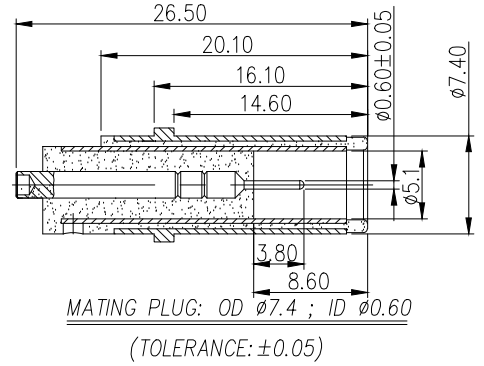


REV.	ECN NO OR DESCRIPTION	REVISED	DATE
A	PDR NO.T160311-2A	Ron	2016.08.26
B	ECN NO.S161135-C	YUREN	2017.1.18
C	ECN NO.S201911-C06	Jie	2020.1.10

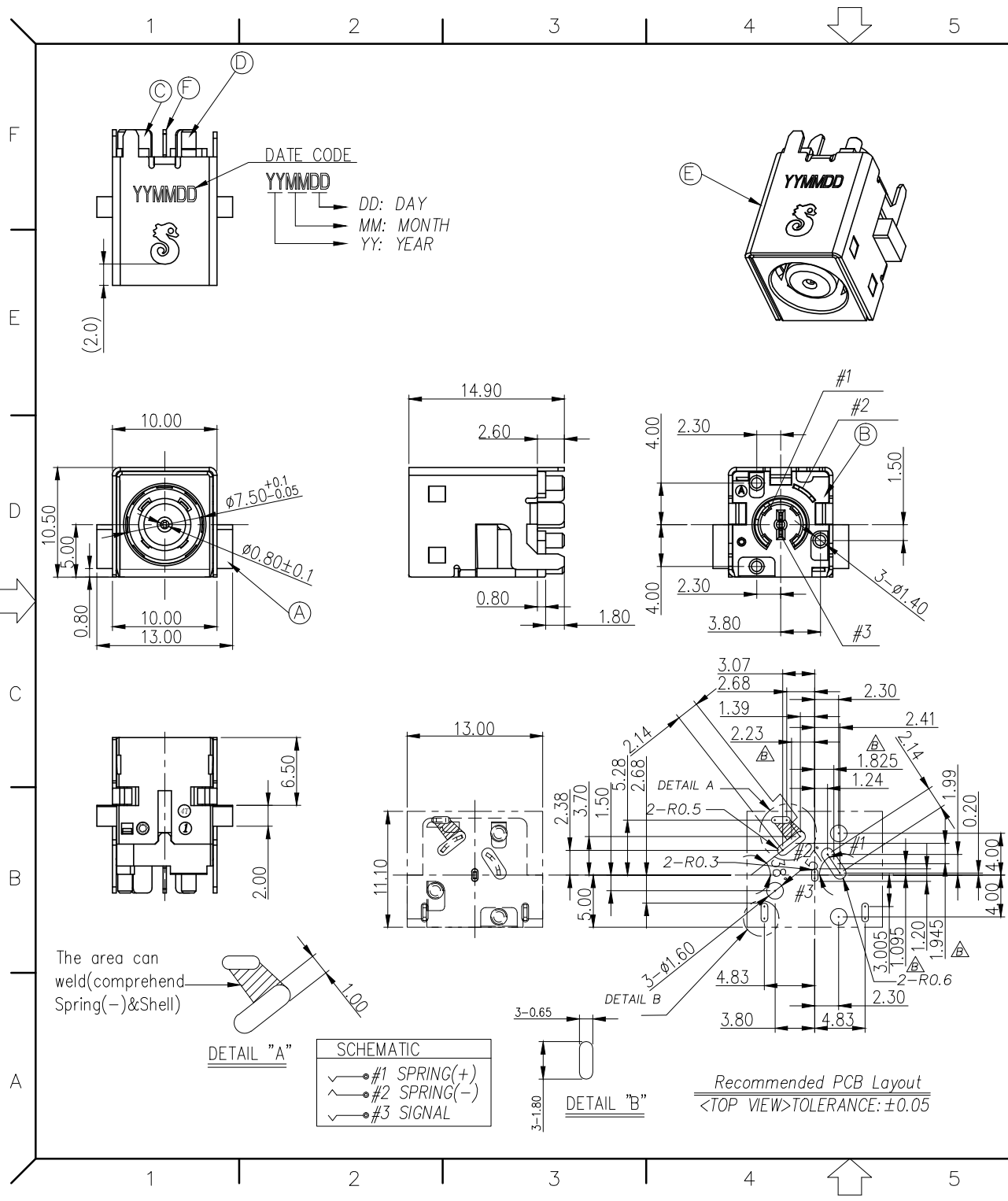
SPECIFICATIONS:

- ELECTRICAL CHARACTERISTICS:
 - RATING: 20V 13A
 - CONTACT RESISTANCE: 20mΩ MAX.(INITIAL)
 - DIELECTRIC WITHSTANDING VOLTAGE: 150V AC FOR ONE MINUTE.
 - INSULATION RESISTANCE: 100MΩ MIN. MEASURED BY 500 VDC
- MECHANICAL CHARACTERISTICS:
 - INSERTION FORCE : 3.0 KGF Max.
 - WITHDRAWAL FORCE : 0.35 KGF Min.
- LIFE TEST: 5,000 CYCLES MIN.
- OTHER GENERAL SPEC. TO REFER "2DC1003 SERIES SPEC".
- TO CONFORM TO SINGATRON HAZARDOUS SUBSTANCE FREE SPEC.
- HALOGEN FREE PRODUCT IDENTIFICATION MARK ON PRODUCT:
- HALOGEN FREE PRODUCT IDENTIFICATION LOGO ON THE PACKAGING:
- FOR REFLOW SOLDERING LEAD-FREE PROCESS.

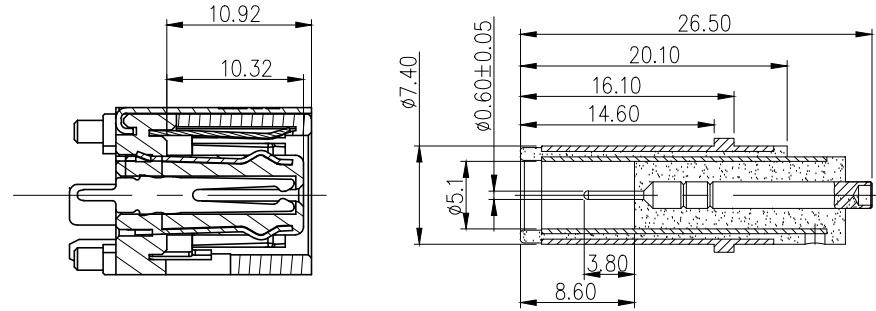


NO	DESCRIPTION	QTY	MATERIAL	PLATING & COLOR
F	SIGNAL	1	COPPER ALLOY 0.3T	GOLD FLASH ON CONTACT AREA, Sn 120u" ON SOLDER TAIL ALL OVER Ni 50 u"
E	SHELL	1	COPPER ALLOY 0.35T	Ni 60 u"
D	SPRING (+)	1	COPPER ALLOY 0.3T	
C	SPRING (-)	1	COPPER ALLOY 0.3T	GOLD FLASH, Ni 50u" Min.(G1)
B	COVER	1	THERMOPLASTIC UL 94V-0	BLACK
A	HOUSING	1	THERMOPLASTIC UL 94V-0	BLACK

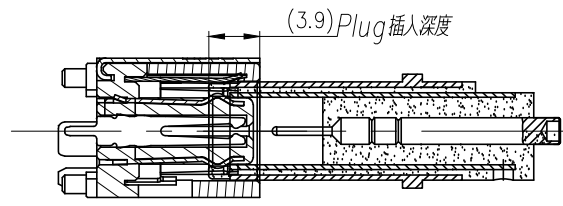
UNLESS OTHERWISE SPECIFIED TOLERANCES		Singatron Enterprise Co., Ltd. 信企企业股份有限公司	
DECIMALS:	ANGLES:	TITLE DC POWER JACK	
X : ±0.5	X : ±2°	DWN	Jie PART NO.2DC1003-009313F
X.X : ±0.3	X.X : ±1°	CHKD	Sky SCALE 4:1 UNIT: mm
X.XX : ±0.2		APVD	Lussen SIZE: A3 SHEET: 1 OF 2 REV: C
CUSTOMER COPY			



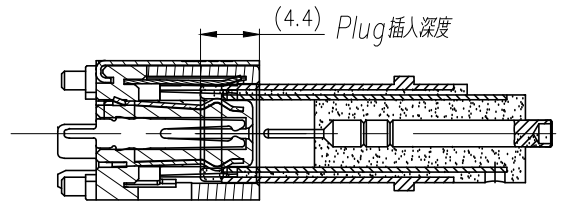
REV.	ECN NO OR DESCRIPTION	REVISED	DATE
A	PDR NO.T160311-2A	Ron	2016.08.26
B	ECN NO.S161135-C	YUREN	2017.1.18
C	ECN NO.S201911-C06	Jie	2020.1.10



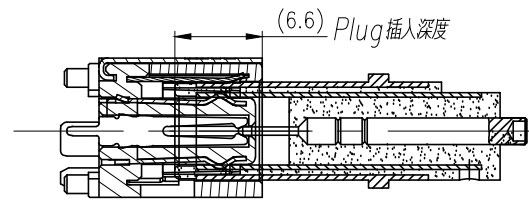
1. 負極接觸狀態



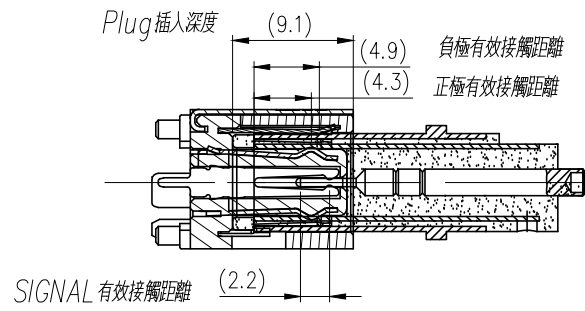
2. 正極接觸狀態



3. SIGNAL 接觸狀態



4. Plug 插到底狀態



UNLESS OTHERWISE SPECIFIED TOLERANCES		Singatron Enterprise Co., Ltd. 信音企業股份有限公司	
DECIMALS:	ANGLES:	TITLE	MATING DRAWING
X : ±0.5	X : ±2°	DWN Jie	PART NO. 2DC1003-009313F
X.X : ±0.3	X.X : ±1°	CHKD Sky	SCALE: 3:1 UNIT: mm
X.XX : ±0.2		APVD Lussen	SIZE: A3 SHEET: 2 OF 2 REV: C
CUSTOMER COPY			