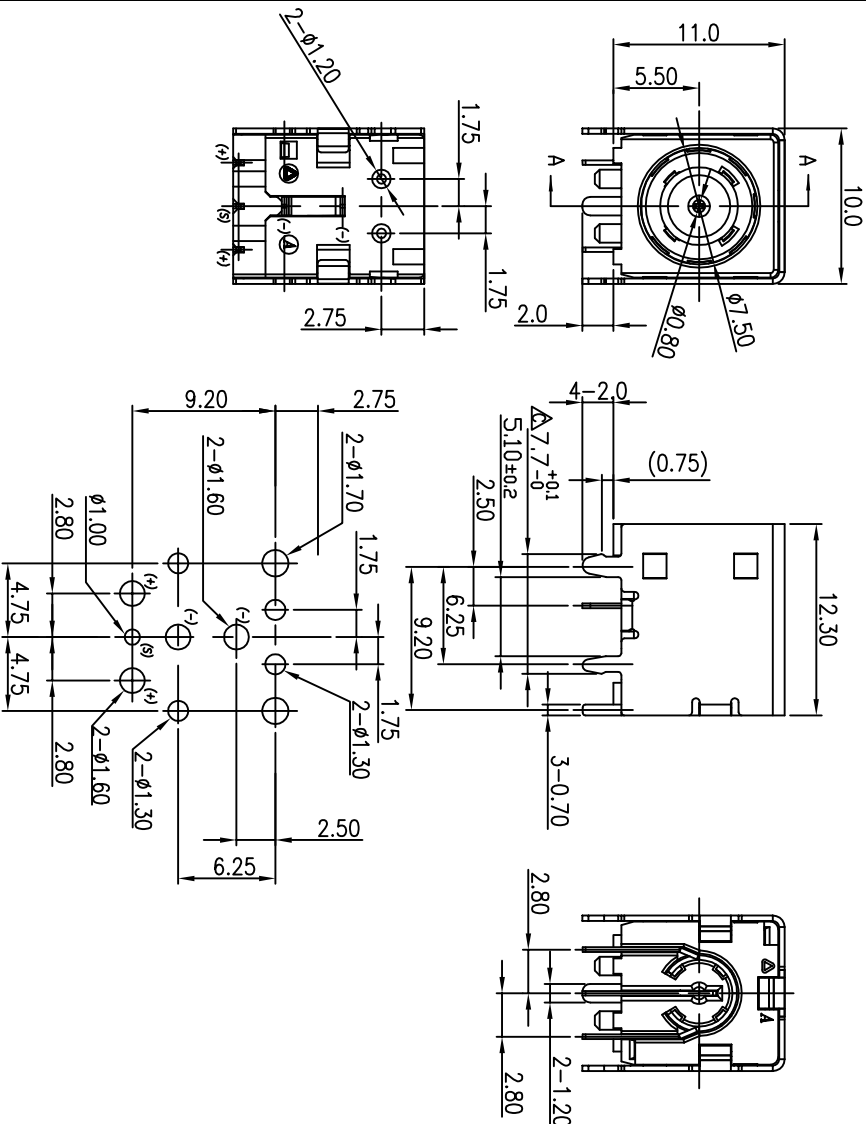


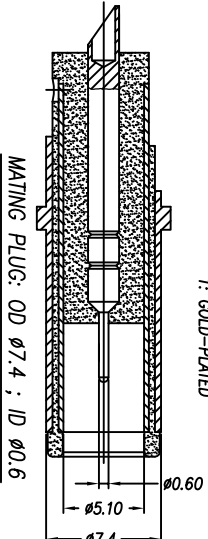
SPECIFICATIONS:

1. ELECTRICAL CHARACTERISTICS:
 - 1-1. RATING: 42V 10A
 - 1-2. CONTACT RESISTANCE: 20mΩ MAX.(INITIAL)
 - 1-3. DIELECTRIC WITHSTANDING VOLTAGE: 150V AC FOR ONE MINUTE.
 - 1-4. INSULATION RESISTANCE: 100MΩ MIN. MEASURED BY 500 VDC
2. MECHANICAL CHARACTERISTICS:
 - 2-1. INSERTION FORCE : 3.0 KGF Max.
 - 2-2. WITHDRAWAL FORCE : 0.35 KGF Min.
3. LIFE TEST: 5,000 CYCLES MIN.
4. OTHER GENERAL SPEC. TO REFER "ZDC1003 SERIES SPEC."
5. TO CONFORM TO SINGATRON HAZARDOUS SUBSTANCE FREE SPEC.
6. GREEN PRODUCT IDENTIFICATION MARK ON JACK: **Δ**
7. GREEN PRODUCT IDENTIFICATION LABEL ON PACKAGING: **G.P. PASS**
8. FOR REFLOW SOLDERING LEAD-FREE PROCESS.
9. PACKAGING: TAPE&REEL
- ORDER NO. ZDC1003-010111

REV.	ECN NO. OR DESCRIPTION	REVISED	DATE
A	PRODUCT RELEASE	JASON	2008.06.06
B	ECN NO. 1080142 修正通線規格	Even	2008.07.25
C	ECR NO.1080103	JASON	2008.08.04

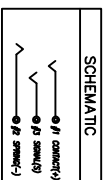


RECOMMENDED P.C.B LAYOUT(thickness:1.2mm)
TOP VIEW (Tolerance:±0.05)



MATING PLUG: OD φ7.4 ; ID φ0.6

PACKAGING
1: T & R
HOUSING COLOR
!: BLACK
CONTACT PLATING
!: GOLD-PLATED



NO	DESCRIPTION	QTY	MATERIAL	PLATING & COLOR
F	SHELL	1	BRASS 0.35t	NICKEL
E	SIGNAL (S)	1	COPPER ALLOY 0.3t	GOLD FLASH
D	CONTACT (+)	1	COPPER ALLOY 0.3t	GOLD FLASH
C	SPRING (-)	1	COPPER ALLOY 0.3t	GOLD FLASH
B	COVER	1	HIGH TEMP. THERMOPLASTIC	BLACK COLOR
A	HOUSING	1	HIGH TEMP. THERMOPLASTIC	BLACK COLOR
NO	DESCRIPTION	QTY	MATERIAL	PLATING & COLOR

UNLESS OTHERWISE SPECIFIED TOLERANCES
SINGATRON ENTERPRISE CO., LTD.
信登企業股份有限公司

DECIMALS:	ANGLES:	TITLE
X :±0.5	X :±2°	DC POWER JACK
X.X :±0.3	X.X :±1°	
X.XX :±0.2		

CHKD	DATE	SCALE	UNIT	REVISION
APVD	2008.05	A3	mm	1

CUSTOMER COPY