

DATE CODE  
 YMMD  
 DD: DAY  
 MM: MONTH  
 YY: YEAR

SCHEMATIC  
 #1 SPRING(+)  
 #2 SPRING(-)  
 #3 SIGNAL

Recommended PCB Layout  
 <TOP VIEW> TOLERANCE: ±0.05

SPECIFICATIONS:

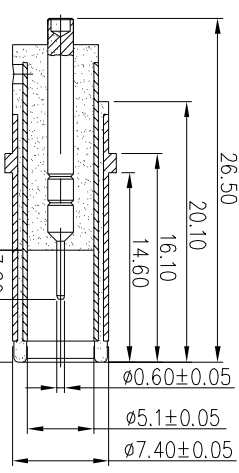
1. ELECTRICAL CHARACTERISTICS:

- 1-1. RATING: 20V 13A
- 1-2. CONTACT RESISTANCE: 20mΩ MAX (INITIAL)
- 1-3. DIELECTRIC WITHSTANDING VOLTAGE: 150V AC FOR ONE MINUTE.
- 1-4. INSULATION RESISTANCE: 100MΩ MIN. MEASURED BY 500 VDC.

2. MECHANICAL CHARACTERISTICS:

- 2-1. INSERTION FORCE : 3.0 KGf Max.
- 2-2. WITHDRAWAL FORCE : 0.35 KGf Min.
- 3. LIFE TEST: 5,000 CYCLES MIN.

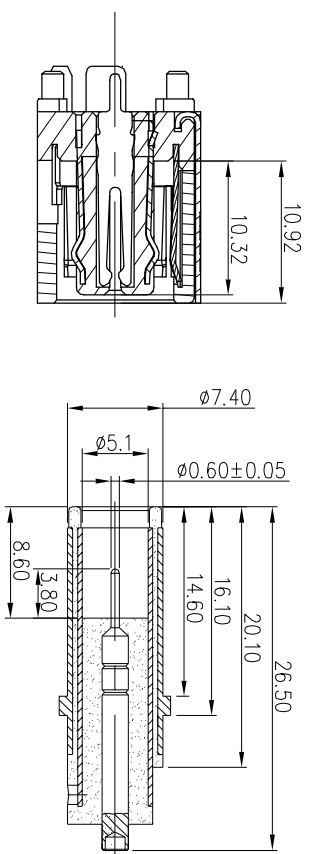
- 4. OTHER GENERAL SPEC. TO REFER "2DC1003-012313F SPEC".
- 5. TO CONFORM TO SINGATRON HAZARDOUS SUBSTANCE FREE SPEC.
- 6. HALOGEN FREE PRODUCT IDENTIFICATION MARK ON PRODUCT:
- 7. HALOGEN FREE PRODUCT IDENTIFICATION LOGO ON THE PACKAGING:
- 8. FOR REFLOW SOLDERING LEAD-FREE PROCESS.



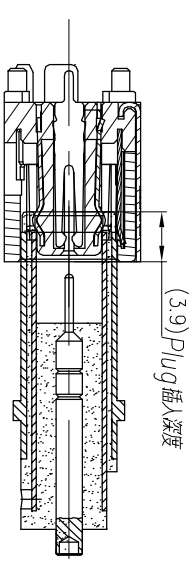
MATING PLUG: OD  $\phi$ 7.4 ; ID  $\phi$ 0.60  
 (TOLERANCE: ±0.05)

G	INSULATION FILM	1	NYLAR 0.14t	BROWN
F	SIGNAL	1	COPPER ALLOY 0.3T	GOLD FLASH ON CONTACT AREA, Sn 120μ ON SOLDER TAIL ALL OVER Ni 50 μ
E	SHELL	1	COPPER ALLOY 0.35T	Ni 60 μ
D	SPRING (+)	1	COPPER ALLOY 0.3T	GOLD FLASH, Ni 50μ Min.(G)
C	SPRING (-)	1	COPPER ALLOY 0.3T	
B	COVER	1	LCP E130t UL 94V-0	BLACK
A	HOUSING	1	PA-9T UL 94V-0	BLACK
NO	DESCRIPTION	QTY	MATERIAL	PLATING & COLOR
UNLESS OTHERWISE SPECIFIED TOLERANCES				
Singatron Enterprise Co., Ltd. 信晉企業股份有限公司				
TITLE: DC POWER JACK				
DWM	Xuehua	PART NO. 2DC1003-012313F		
CHKD	Ron	SCALE 4:1	UNIT: mm	
APVD	Lussen	SIZE: A3	SHEET: 1 OF 2	REV: A
CUSTOMER COPY				

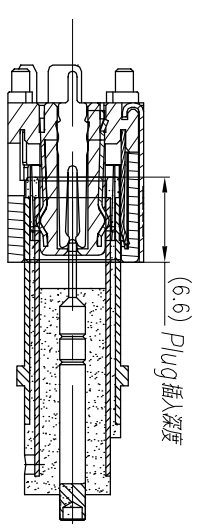
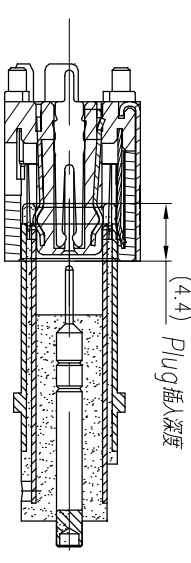
REV	ECN NO	OR DESCRIPTION	REVISED	DATE
A	PDR NO. T181031-1A		Xuehua	2019.3.1



1. 負極接觸狀態

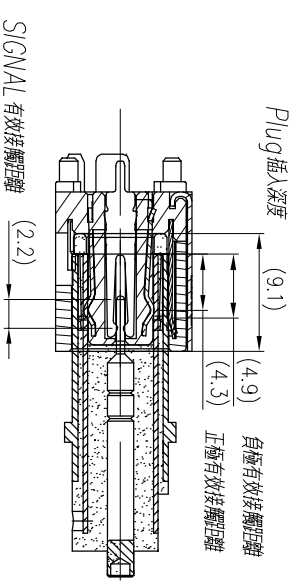


2. 正極接觸狀態



3. SIGNAL 接觸狀態

4. Plug 插到底狀態



REV	ECN NO	OR DESCRIPTION	REVISED	DATE
A	PDR NO. T181031-1A		Xuehua	2019.3.1

UNLESS OTHERWISE SPECIFIED TOLERANCES

DECIMALS:	ANGLES:	TITLE	MATING DRAWING
X : ±0.5	X : ±2°	DWM	Xuehua
XX : ±0.3	XX : ±1°	CHKD	Ron
XXX : ±0.2		APVD	Lussen

Singatron Enterprise Co., Ltd.  
信音企業股份有限公司

PART NO. 2DC1003-012313F  
SCALE: 3:1 UNIT: mm

SIZE: A3 SHEET: 2 OF 2 REV: A

CUSTOMER COPY